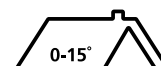


White Finish Roof Window

The Keylite White Finish Roof Window range is considered ideal for kitchens, bathrooms or any other room that may be prone to smoke, dust or steam.



Features

- ▶ **Moisture Resistant** - The Keylite White Finish Roof Window is painted with a clean coat of Polyurethane paint. The Polyurethane surface consists of moisture resistant properties ensuring the window is immune to humidity and condensation.
- ▶ **Maintenance Free** - Our Keylite White Finish Roof Window requires little or no maintenance when compared to standard pine equivalents. The moisture resistant Polyurethane surface means the window can simply be wiped clean.
- ▶ **Integrated Thermal Collar** - Unlike other roof windows Keylite's thermal collar is integrated into the frame. The collar is activated by simply pulling the release tabs for a fast insulation solution, combating cold bridging.
- ▶ **Flick-Fit Brackets** - Keylite's unique Flick-Fit brackets are prefitted so you can lift the window straight from the box to the roof and simply select the setting for tile or slate.
- ▶ **Click-Fit Hood** - Simply click the hood under the clips and secure. The cover flashings now require 50% fewer screws than before.
- ▶ **Recessed Fit as Standard** - Every Keylite **Futuretherm** window is recessed as standard, sitting lower in the roof than ever before.
- ▶ **Low Profile Hood** - Keylite's new hood has a lower profile and features a more sculptured design, enhancing its appearance in the roof.
- ▶ **Warm Edge Glazing** - Every Keylite **Futuretherm** window now has a warm edge glazing unit as standard, to enhance the windows performance and reduce the occurrence of condensation.
- ▶ **Ventilation handle** - Keylite's slimline ventilation handle has a new contemporary style, designed to provide comfortable opening of both the window and the ventilation flap.
- ▶ **All Weather Ventilation** - Keylite roof windows all provide trickle ventilation, even with the window fully closed and securely locked. The built in ventilation filter ensures no insects pass into the room, only clean fresh air.
- ▶ **Sash Finger Springs** - The sash hinge finger spring allows the sash to be installed back into the frame in one smooth effortless motion.
- ▶ **Maintenance Free Hinge** - The hinge being the most vital component of the window, is the only operational part that moves. Keylite has eliminated the maintenance requirement of this component.

Application

- ▶ Keylite recommend installing the window so that the frame top is between 1.85 - 2.20m above the floor for ease of operation.
- ▶ For installation of roof windows above 2.2m Keylite also recommend electrical operation and a laminated inner safety pane.

Operation

- ▶ **WF-CP** - The Keylite White Finish Centre Pivot Roof Window is operated manually as standard, through the full width use of our ventilation handle, located along the top of the sash. Electric operation is also available as an additional accessory.
- ▶ **WF-TH** - The Keylite White Finish Top Hung/ Fire Escape roof window is operated manually as standard, through rotating the handle, located along the bottom of the sash Hung/ Fire Escape roof window retains its ventilation flap and centre pivoting hinge for cleaning purposes.

Guarantee

- ▶ **10 Years** - Keylite's hassle free guarantee on windows and flashings
- ▶ **3 Years** - Keylite's hassle free guarantee on blinds, accessories and electrics.

Installation and Accessory Products

- ▶ **Flashings**
 - Single Installation:
 - Tile (TRF)
 - Deep Tile (DTRF)
 - Slate (SRF)
 - Plain Tile (PTRF)
 - Combination Installation:
 - Combi Tile (CTRF)
 - Combi Slate (CSRf)
 - Combi Plain Tile (CPTRF)
 - Bi-Lite Tile (BLTRF)
 - Bi-Lite Slate (BLSRF)
 - Quad Lite Tile (QLTRF)
 - Quad Lite Slate (QLSRF)
- ▶ **Additional Installation Products** -
 - Underfelt Collar (FC)
 - Vapour Collar (VC)
- ▶ **Accessories** -
 - 2 metre window pole (WP2M)
 - 3 metre window pole (WP3M)
 - Premium electric kit (PEK1W)
 - Standard electric kit (SEK1W)
 - Opening restrictor (OR)
 - Security lock (SL)
- ▶ **Blinds** -
 - Integral Blind (I-CP, I-TH/I-FE)
 - Dim out Blind (SA/D)
 - Black out Blind (SA/B)





| Window Sizes (WxH) | 550x780 | 550x980 | 550x1180 | 660x1180 | 780x980 | 780x1180 | 780x1400 | 940x1400 | 940x1600 | 1140x1180 | 1340x980 | 1340x1400 |
|--------------------------------------|---------------------|--------------|--------------------|--------------|--------------|--------------|--------------|---------------|--------------|--------------|--------------|-------------|
| | Centre Pivot | | | | | | | | | | | |
| Thermal Product Code | WF-CP-01-T | WF-CP-02-T | WF-CP-01C-T | WF-CP-03-T | WF-CP-04-T | WF-CP-05-T | WF-CP-06-T | WF-CP-07F-T | WF-CP-07-T | WF-CP-08-T | WF-CP-09-T | WF-CP-10-T |
| Hi Therm Product Code | WF-CP-01-HT | WF-CP-02-HT | WF-CP-01C-HT | WF-CP-03-HT | WF-CP-04-HT | WF-CP-05-HT | WF-CP-06-HT | WF-CP-07F-HT | WF-CP-07-HT | WF-CP-08-HT | WF-CP-09-HT | WF-CP-10-HT |
| Triple Glazed Product Code | WF-CP-01-KTG | WF-CP-02-KTG | WF-CP-01C-KTG | WF-CP-03-KTG | WF-CP-04-KTG | WF-CP-05-KTG | WF-CP-06-KTG | WF-CP-07F-KTG | WF-CP-07-KTG | WF-CP-08-KTG | WF-CP-09-KTG | - |
| | Top Hung | | Fire Escape | | | | | | | | | |
| Thermal Product Code | - | WF-TH-02-T | WF-FE-01C-T | WF-FE-03-T | WF-FE-04-T | WF-FE-05-T | WF-FE-06-T | WF-FE-07F-T | WF-FE-07-T | WF-FE-08-T | WF-FE-09-T | WF-FE-10-T |
| Hi Therm Product Code | - | WF-TH-02-HT | WF-FE-01C-HT | WF-FE-03-HT | WF-FE-04-HT | WF-FE-05-HT | WF-FE-06-HT | WF-FE-07F-HT | WF-FE-07-HT | WF-FE-08-HT | WF-FE-09-HT | WF-FE-10-HT |

Note: Other sizes are available, please contact the Keylite Sales Team for details of full range.

Thermal Performance

| | | Thermal [T] | Hi Therm [HT] | Triple [KTG] | Frosted [T-FR] |
|----------------------------|-------------------------------------|-------------|---------------|--------------|----------------|
| Window U value | U _w [W/m ² K] | 1.3 | 1.3 | 1.0 | 1.3 |
| Centre pane U value | U _g [W/m ² K] | 1.0 | 1.0 | 0.6 | 1.0 |

Glazing

Thermal (T) - Double glazed, toughened outer pane, argon gas filled cavity, float inner pane.

Hi-Therm (HT) - Double glazed, self-cleaning toughened outer pane, argon gas filled cavity, laminated inner pane with enhanced noise reduction.

Triple Glazed (KTG) - Triple glazed, self-cleaning toughened outer pane, krypton gas filled cavity, float centre pane, krypton gas filled cavity, float inner pane with enhanced sound and thermal insulation.

Frosted (FR) - Double glazed, toughened outer pane, argon gas filled cavity, frosted float inner pane.

Maintenance

- ▶ The glazing pane of a Keylite White Finish Roof Window can be cleaned with a soft, clean cloth/chamois or non-metal squeegee. Clean water will be sufficient for cleaning the pane.
- ▶ The sash can be rotated through 180° where the outer pane can become available for cleaning once locked in position using the plastic locking mechanism located along the top of the sash.

Glazing Option

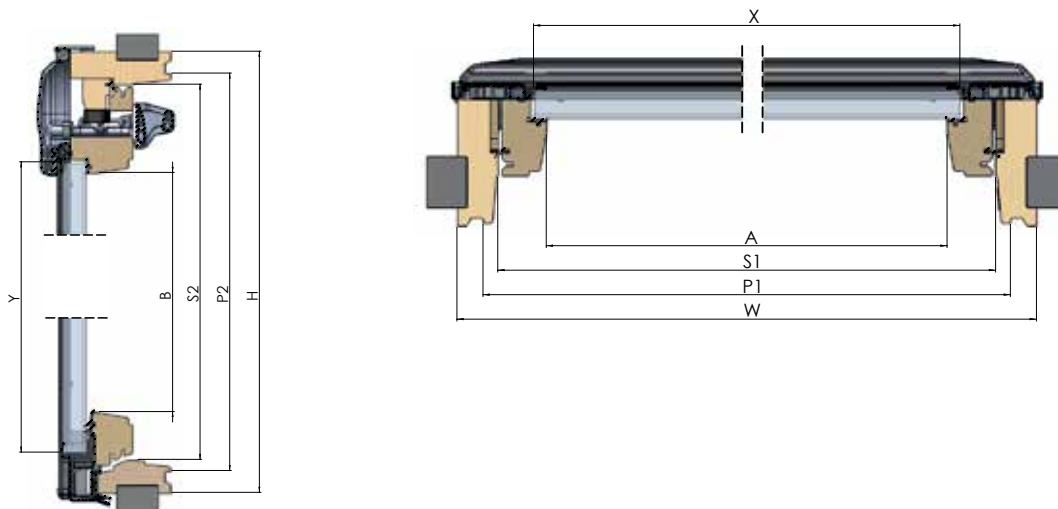
| Glazing Option - Results | | Thermal [T] | Hi Therm [HT] | Triple [KTG] |
|--------------------------|------------------------------------------------------------------|-----------------------|---------------|--------------|
| UV | transmittance (%) | τ_{uv} = 35,0 | = 3,7 | = 19,9 |
| | transmittance for standard illuminant D65 (%) | τ_v = 80,1 | = 79,5 | = 70,9 |
| Light | reflectance for standard illuminant D65 (%)(*) | ρ_v = 12,2 | = 12,2 | = 15,2 |
| | reflectance for standard illuminant D65 (%)(**) | ρ_v = 12,3 | = 12,2 | = 17,8 |
| | general colour rendering index (%) | R _a = 97,4 | = 97,1 | = 95,6 |
| | solar direct transmittance (%) | τ_e = 54,5 | = 51,4 | = 41,8 |
| Energy | solar direct reflectance (%)(*) | ρ_e = 28,8 | = 28,7 | = 33,3 |
| | solar direct reflectance (%)(**) | ρ_e = 27,8 | = 23,8 | = 30,9 |
| | solar direct absorption (%)(*) | a = 16,7 | = 19,9 | = 24,9 |
| | secondary internal heat transfer factor (%)(*) | qi = 8,3 | = 11,1 | = 11,0 |
| | total solar energy transmittance (solar factor) EN 410 (%)(*) | g = 62,8 | = 62,5 | = 52,7 |
| | total solar energy transmittance (solar factor) DIN 67507 (%)(*) | g = 59,8 | = 59,5 | = 49,8 |
| | shading coefficient (+g_DIN/0,87)(*) | sc = 0,69 | = 0,68 | = 0,57 |

(*) Incident Radiation from the outside (**) Incident Radiation from the inside

Technical Information

| Window Type | Window Size | External Frame Size | | Sash Size | | Glazing Size | | Visible Glazing Size | | Plasterboard | | Natural Daylight Area (m ²) | Equivalent Ventilation Area (mm ²) | Structural Opening Size Required (mm) | |
|-------------|-------------|---------------------|------|-----------|------|--------------|------|----------------------|------|--------------|------|-----------------------------------------|------------------------------------------------|---------------------------------------|------|
| | | (mm) | | (mm) | | (mm) | | (mm) | | (mm) | | | | W | H |
| | | W | H | S1 | S2 | X | Y | A | B | P1 | P2 | | | | |
| WF | 01 | 550 | 780 | 460 | 690 | 396 | 593 | 371 | 531 | 496 | 720 | 0.197 | 3,879 | 590 | 820 |
| WF | 02 | 550 | 980 | 460 | 890 | 396 | 793 | 371 | 731 | 496 | 920 | 0.271 | 3,879 | 590 | 1020 |
| WF | 03 | 660 | 1180 | 570 | 1090 | 506 | 993 | 481 | 931 | 606 | 1120 | 0.448 | 4,658 | 700 | 1220 |
| WF | 04 | 780 | 980 | 690 | 890 | 626 | 793 | 601 | 731 | 726 | 920 | 0.439 | 6,567 | 820 | 1020 |
| WF | 05 | 780 | 1180 | 690 | 1090 | 626 | 993 | 601 | 931 | 726 | 1120 | 0.560 | 6,567 | 820 | 1220 |
| WF | 06 | 780 | 1400 | 690 | 1310 | 626 | 1213 | 601 | 1151 | 726 | 1340 | 0.692 | 6,567 | 820 | 1440 |
| WF | 07 | 940 | 1600 | 850 | 1510 | 786 | 1413 | 761 | 1351 | 886 | 1540 | 1.028 | 7,914 | 980 | 1640 |
| WF | 07F | 940 | 1400 | 850 | 1310 | 786 | 1213 | 761 | 1151 | 886 | 1340 | 0.876 | 7,914 | 980 | 1440 |
| WF | 08 | 1140 | 1180 | 1050 | 1090 | 986 | 993 | 961 | 931 | 1086 | 1120 | 0.895 | 9,597 | 1180 | 1220 |
| WF | 09 | 1340 | 980 | 1250 | 890 | 1186 | 793 | 1161 | 731 | 1286 | 920 | 0.849 | 11,281 | 1380 | 1020 |
| WF | 10 | 1340 | 1400 | 1250 | 1310 | 1186 | 1213 | 1161 | 1151 | 1286 | 1340 | 1.336 | 11,281 | 1380 | 1440 |
| WF | 01C | 550 | 1180 | 460 | 1090 | 396 | 993 | 371 | 931 | 496 | 1120 | 0.345 | 3,879 | 590 | 1220 |
| WF | 01F | 550 | 1400 | 460 | 1310 | 396 | 1213 | 371 | 1151 | 496 | 1340 | 0.427 | 3,879 | 590 | 1440 |
| WF | 01G | 550 | 1600 | 460 | 1510 | 396 | 1413 | 371 | 1351 | 496 | 1540 | 0.501 | 3,879 | 590 | 1640 |
| WF | 03A | 660 | 780 | 570 | 690 | 506 | 593 | 481 | 531 | 606 | 720 | 0.255 | 4,658 | 700 | 820 |
| WF | 03B | 660 | 980 | 570 | 890 | 506 | 793 | 481 | 731 | 606 | 920 | 0.352 | 4,658 | 700 | 1020 |
| WF | 03F | 660 | 1400 | 570 | 1310 | 506 | 1213 | 481 | 1151 | 606 | 1340 | 0.554 | 4,658 | 700 | 1440 |
| WF | 03G | 660 | 1600 | 570 | 1510 | 506 | 1413 | 481 | 1351 | 606 | 1540 | 0.650 | 4,658 | 700 | 1640 |
| WF | 04A | 780 | 780 | 690 | 690 | 626 | 593 | 601 | 531 | 726 | 720 | 0.319 | 6,567 | 820 | 820 |
| WF | 04G | 780 | 1600 | 690 | 1510 | 626 | 1413 | 601 | 1351 | 726 | 1540 | 0.812 | 6,567 | 820 | 1640 |
| WF | 07A | 940 | 780 | 850 | 690 | 786 | 593 | 761 | 531 | 886 | 720 | 0.404 | 7,914 | 980 | 820 |
| WF | 07B | 940 | 980 | 850 | 890 | 786 | 793 | 761 | 731 | 886 | 920 | 0.556 | 7,914 | 980 | 1020 |
| WF | 07C | 940 | 1180 | 850 | 1090 | 786 | 993 | 761 | 931 | 886 | 1120 | 0.708 | 7,914 | 980 | 1220 |
| WF | 08A | 1140 | 780 | 1050 | 690 | 986 | 593 | 961 | 531 | 1086 | 720 | 0.510 | 9,597 | 1180 | 820 |
| WF | 08B | 1140 | 980 | 1050 | 890 | 986 | 793 | 961 | 731 | 1086 | 920 | 0.702 | 9,597 | 1180 | 1020 |
| WF | 08F | 1140 | 1400 | 1050 | 1310 | 986 | 1213 | 961 | 1151 | 1086 | 1340 | 1.106 | 9,597 | 1180 | 1440 |
| WF | 08G | 1140 | 1600 | 1050 | 1510 | 986 | 1413 | 961 | 1351 | 1086 | 1540 | 1.298 | 9,597 | 1180 | 1640 |
| WF | 09A | 1340 | 780 | 1250 | 690 | 1186 | 593 | 1161 | 531 | 1286 | 720 | 0.616 | 11,281 | 1380 | 820 |
| WF | 09C | 1340 | 1180 | 1250 | 1090 | 1186 | 993 | 1161 | 931 | 1286 | 1120 | 1.081 | 11,281 | 1380 | 1220 |
| WF | 09G | 1340 | 1600 | 1250 | 1510 | 1186 | 1413 | 1161 | 1351 | 1286 | 1540 | 1.569 | 11,281 | 1380 | 1640 |

Cross Section



Keylite UK

Ryder Close, Cadley Hill Industrial Estate,
Swadlincote, South Derbyshire, DE11 9EU

T: +44 (0) 1283 200 150

E: info@keyliteuk.com

NI & ROI

Derryloran Industrial Est. Sandholes Road,
Cookstown, Co. Tyrone, BT80 9LU

T: +44 (0) 28 8675 8921

E: info@keylite.co.uk