

Integral Blinds Roof Window

The Keylite Integral Blind Roof Window range features a factory fitted blind that is permanently sealed within the energy efficient double glazing unit.



Features

- ▶ **Factory Fitted Blind** - Due to the blind being sealed within the glazing unit it requires **no cleaning** as it is housed in an entirely dust free environment thus making it ideal for hospitals and other sterile/hygienic environments.
- ▶ **Enhanced Sun Shading** - The blind consists of dim out fabrics to help reduce the glare of the sun ensuring human comfort levels can be maintained within the room.
- ▶ **Multiple Application** - The integral blind can be operated either manually or electrically and is available throughout the Keylite Roof Window range in standard sizes only.
- ▶ **Integrated Thermal Collar** - Unlike other roof windows Keylite's thermal collar is integrated into the frame. The collar is activated by simply pulling the release tabs for a fast insulation solution, combating cold bridging.
- ▶ **Flick-Fit Brackets** - Keylite's unique Flick-Fit brackets are prefitted so you can lift the window straight from the box to the roof and simply select the setting for tile or slate.
- ▶ **Click-Fit Hood** - Simply click the hood under the clips and secure. The cover flashings now require 50% fewer screws than before.
- ▶ **Recessed Fit as Standard** - Every Keylite **Futuretherm** window is recessed as standard, sitting lower in the roof than ever before.
- ▶ **Low Profile Hood** - Keylite's new hood has a lower profile and features a more sculptured design, enhancing its appearance in the roof.
- ▶ **Warm Edge Glazing** - Every Keylite **Futuretherm** window now has a warm edge glazing unit as standard, to enhance the windows performance and reduce the occurrence of condensation.
- ▶ **Ventilation handle** - Keylite's slimline ventilation handle has a new contemporary style, designed to provide comfortable opening of both the window and the ventilation flap.
- ▶ **All Weather Ventilation** - Keylite roof windows all provide trickle ventilation, even with the window fully closed and securely locked. The built in ventilation filter ensures no insects pass into the room, only clean fresh air.

Application

- ▶ Keylite recommend installing the window so that the frame top is between 1.85m - 2.20m above the floor for ease of operation.
- ▶ For installation of roof windows above 2.2m Keylite also recommend electrical operation and a laminated inner safety pane.

Operation

- ▶ **CP** - The Keylite Centre Pivot Roof Window is operated manually as standard, through the full width use of our ventilation handle, located along the top of the sash. Electric operation is also available as an additional accessory.
- ▶ **TH** - The Keylite Top Hung/ Fire Escape roof window is operated manually as standard, through rotating the handle, located along the bottom of the sash.

Guarantee

- ▶ **10 Years** - Keylite's hassle free guarantee on windows, flashings and Integral blind.
- ▶ **3 Years** - Keylite's hassle free guarantee on blinds, accessories and electrics.

Installation and Accessory Products

- ▶ **Flashings**
 - Single Installation:
 - Tile (TRF)
 - Deep Tile (DTRF)
 - Slate (SRF)
 - Plain Tile (PTRF)
 - Corrugated Roof (CRF)
 - Combination Installation:
 - Combi Tile (CTRF)
 - Combi Slate (CSRf)
 - Combi Plain Tile (CPTRF)
 - Bi-Lite Tile (BLTRF)
 - Bi-Lite Slate (BLSRF)
 - Quad Lite Tile (QLTRF)
 - Quad Lite Slate (QLSRF)
- ▶ **Additional Installation Products** -
 - Underfelt Collar (FC)
 - Vapour Collar (VC)
- ▶ **Accessories** -
 - 2 metre window pole (WP2M)
 - 3 metre window pole (WP3M)
 - Premium electric kit (PEK1W)
 - Standard electric kit (SEK1W)
 - Opening restrictor (OR)
 - Security lock (SL)
- ▶ **Blinds** -
 - Dim out Blind (SA/D)
 - Black out Blind (SA/B)

Finish Options

- ▶ **Interior** - Pine
White (WF)
- ▶ **Exterior** - Grey
Conservation Black (CW)





(nominal) WxH mm	550x780	550x980	660x1180	780x980	780x1180	780x1400	940x1600	1140x1180	1340x980
Centre Pivot Roof Window with Manual Integral Blind									
PINE FINISH	I-CP-01-T	I-CP-02-T	I-CP-03-T	I-CP-04-T	I-CP-05-T	I-CP-06-T	I-CP-07-T	I-CP-08-T	I-CP-09-T
WHITE FINISH	WF-I-CP-01-T	WF-I-CP-02-T	WF-I-CP-03-T	WF-I-CP-04-T	WF-I-CP-05-T	WF-I-CP-06-T	WF-I-CP-07-T	WF-I-CP-08-T	WF-I-CP-09-T
Top Hung/Fire Escape Roof Window with Manual Integral Blind									
PINE FINISH	-	I-TH-02-T	I-FE-03-T	I-FE-04-T	I-FE-05-T	I-FE-06-T	I-FE-07-T	I-FE-08-T	I-FE-09-T
WHITE FINISH	-	WF-I-TH-02-T	WF-I-FE-03-T	WF-I-FE-04-T	WF-I-FE-05-T	WF-I-FE-06-T	WF-I-FE-07-T	WF-I-FE-08-T	I-FE-09-HT
Electrical Upgrades for Integral Blind Windows									
* Manual Windows, Electrical Blind, Centre Pivot & Top Hung	EI-01-T	EI-02-T	EI-03-T	EI-04-T	EI-05-T	EI-06-T	EI-07-T	EI-08-T	EI-09-T
** Std Elec Window, Electrical Blind, Centre Pivot only	EI-01-T-SEK	EI-02-T-SEK	EI-03-T-SEK	EI-04-T-SEK	EI-05-T-SEK	EI-06-T-SEK	EI-07-T-SEK	EI-08-T-SEK	EI-09-T-SEK
*** Prem Elec Window, Electrical Blind, Centre Pivot only	EI-01-T-PEK	EI-02-T-PEK	EI-03-T-PEK	EI-04-T-PEK	EI-05-T-PEK	EI-06-T-PEK	EI-07-T-PEK	EI-08-T-PEK	EI-09-T-PEK

*EI blind operates via hard wired switch **SEK kit operates both window and blind via a wall mounted switch ***PEK is supplied with rain sensor function and remote control for window and blind.

Note: Other sizes are available, please contact the Keylite Sales Team for details of full range.

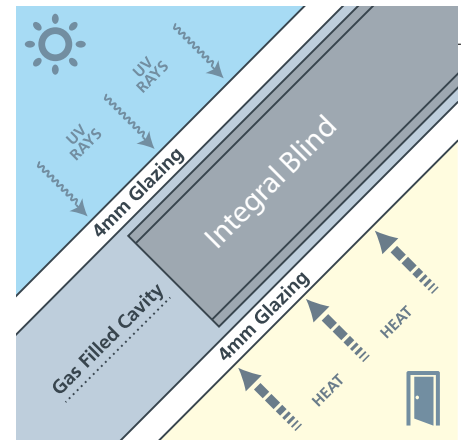
Thermal Performance

		Thermal [T]
Window U value	Uw [W/m²K]	1.3
Centre pane U value	Ug [W/m²K]	1.0

Glazing Option

Glazing Option - Results			Thermal
UV	transmittance (%)	τ_{uv}	= 35,0
	transmittance for standard illuminant D65 (%)	τ_v	= 80,1
Light	reflectance for standard illuminant D65 (%) ^(*)	ρ_v	= 12,2
	reflectance for standard illuminant D65 (%) ^(**)	ρ_v	= 12,3
	general colour rendering index (%)	Ra	= 97,4
	solar direct transmittance (%)	τ_e	= 54,5
Energy	solar direct reflectance (%) ^(*)	ρ_e	= 28,8
	solar direct reflectance (%) ^(**)	ρ_e	= 27,8
	solar direct absorption (%) ^(*)	a	= 16,7
	secondary internal heat transfer factor (%) ^(*)	qi	= 8,3
	total solar energy transmittance (solar factor) EN 410 (%) ^(*)	g	= 62,8
	total solar energy transmittance (solar factor) DIN 67507 (%) ^(*)	g	= 59,8
	shading coefficient (+g_DIN0,87) ^(*)	sc	= 0,69

(*) Incident Radiation from the outside (**) Incident Radiation from the inside



Keylite Integral Glazing

- ▶ 4mm Toughened Outer Pane
- ▶ 22mm Argon Gas Filled Cavity
- ▶ 4mm Toughened Inner Pane

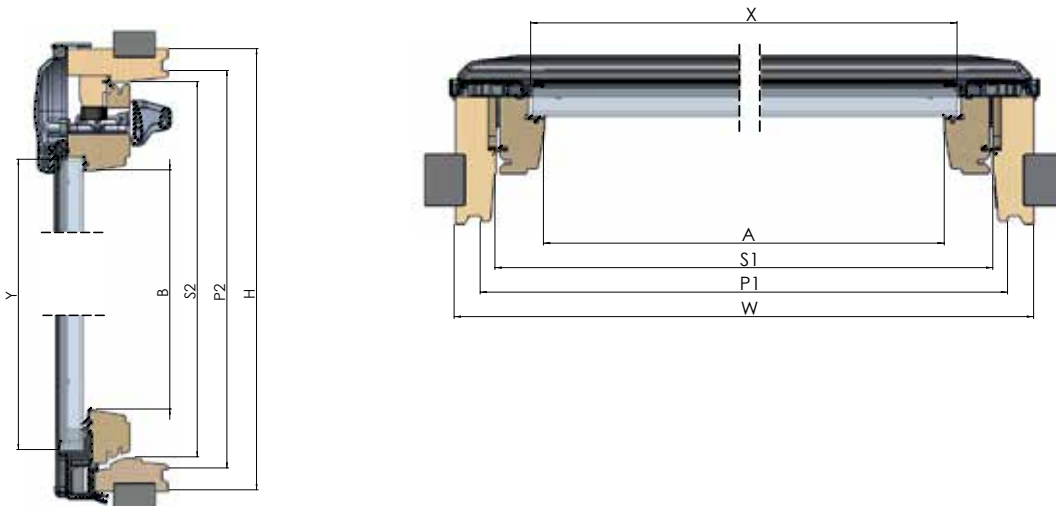
Maintenance

- ▶ The glazing pane of a Keylite Integral Roof Window can be cleaned with a soft, clean cloth/chamois or non-metal squeegee. Clean water will be sufficient for cleaning the pane.
- ▶ The sash can be rotated through 180° where the outer pane can become available for cleaning once locked in position using the plastic locking mechanism located along the top of the sash.

Technical Information

Window Type	Window Size	External Frame Size		Sash Size		Glazing Size		Visible Glazing Size		Plasterboard		Natural Daylight Area (m ²)	Equivalent Ventilation Area (mm ²)	Structural Opening Size Required	
		(mm)		(mm)		(mm)		(mm)		(mm)				(mm)	
		W	H	S1	S2	X	Y	A	B	P1	P2	A	H		
ICP	01	550	780	460	690	396	593	371	531	496	720	0.197	3,879	590	820
ICP/TH	02	550	980	460	890	396	793	371	731	496	920	0.271	3,879	590	1020
ICP/FE	03	660	1180	570	1090	506	993	481	931	606	1120	0.448	4,658	700	1220
ICP/FE	04	780	980	690	890	626	793	601	731	726	920	0.439	6,567	820	1020
ICP/FE	05	780	1180	690	1090	626	993	601	931	726	1120	0.560	6,567	820	1220
ICP/FE	06	780	1400	690	1310	626	1213	601	1151	726	1340	0.692	6,567	820	1440
ICP/FE	07	940	1600	850	1510	786	1413	761	1351	886	1540	1.028	7,914	980	1640
ICP/FE	07F	940	1400	850	1310	786	1213	761	1151	886	1340	0.876	7,914	980	1440
ICP/FE	08	1140	1180	1050	1090	986	993	961	931	1086	1120	0.895	9,597	1180	1220
ICP/FE	09	1340	980	1250	890	1186	793	1161	731	1286	920	0.849	11,281	1380	1020

Cross Section



Keylite UK

Ryder Close, Cadley Hill Industrial Estate,
Swadlincote, South Derbyshire, DE11 9EU

T: +44 (0) 1283 200 150

E: info@keyliteuk.com

NI & ROI

Derryloran Industrial Est. Sandholes Road,
Cookstown, Co. Tyrone, BT80 9LU

T: +44 (0) 28 8675 8921

E: info@keylite.co.uk