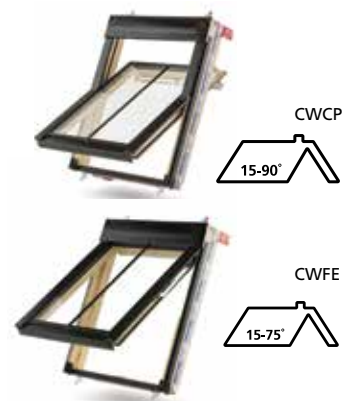


Conservation Roof Window

The Keylite Conservation Roof Window is designed to complement both renovation and new build projects in a traditional site.



Features

- ▶ **Traditional Features** - The black central Georgian bar and low profile external flashing maintain the traditional character of the building, whilst still accommodating the flow of natural light to the interior below. The Georgian bar can be removed upon request.
- ▶ **Classic Design** - While traditional in its external appearance, the standard Conservation Roof Window benefits from all of the advanced Keylite features listed below.
- ▶ **Integrated Thermal Collar** - Unlike other roof windows Keylite's thermal collar is integrated into the frame. The collar is activated by simply pulling the release tabs for a fast insulation solution, combating cold bridging.
- ▶ **Flick-Fit Brackets** - Keylite's unique Flick-Fit brackets are prefitted so you can lift the window straight from the box to the roof and simply select the setting for tile or slate.
- ▶ **Click-Fit Hood** - Simply click the hood under the clips and secure. The cover flashings now require 50% fewer screws than before.
- ▶ **Recessed Fit as Standard** - Every Keylite **Futuretherm** window is recessed as standard, sitting lower in the roof than ever before.
- ▶ **Low Profile Hood** - Keylite's new hood has a lower profile and features a more sculptured design, enhancing its appearance in the roof.
- ▶ **Warm Edge Glazing** - Every Keylite **Futuretherm** window now has a warm edge glazing unit as standard, to enhance the windows performance and reduce the occurrence of condensation.
- ▶ **Ventilation handle** - Keylite's slimline ventilation handle has a new contemporary style, designed to provide comfortable opening of both the window and the ventilation flap.
- ▶ **All Weather Ventilation** - Keylite roof windows all provide trickle ventilation, even with the window fully closed and securely locked. The built in ventilation filter ensures no insects pass into the room, only clean fresh air.
- ▶ **Maintenance Free Hinge** - The hinge being the most vital component of the window, is the only operational part that moves. Keylite has eliminated the maintenance requirement of this component.

Application

- ▶ Keylite recommend installing the window so that the frame top is between 1.85 - 2.20m above the floor for ease of operation.
- ▶ For installation of roof windows above 2.2m Keylite also recommend electrical operation and a laminated inner safety pane.

Operation

- ▶ **CW-CP** - The Keylite Conservation Centre Pivot Roof Window is operated manually as standard, through the full width use of our ventilation handle, located along the top of the sash. Electric operation is also available as an additional accessory.
- ▶ **CW-TH** - The Keylite Conservation Top Hung/ Fire Escape roof window is operated manually as standard, through rotating the handle, located along the bottom of the sash.


Guarantee

- ▶ **10 Years** - Keylite's hassle free guarantee on windows and flashings
- ▶ **3 Years** - Keylite's hassle free guarantee on blinds, accessories and electrics.

Installation and Accessory Products

- ▶ **Flashings** -
 - Single Installation:
 - Tile (CW-TRF)
 - Deep Tile (CW-DTRF)
 - Slate (CW-SRF)
 - Plain Tile (CW-PTRF)
 - Corrugated Roof (CW-CRF)
 - Combination Installation:
 - Combi Tile (CW-CTRF)
 - Combi Slate (CW-CSRF)
 - Combi Plain Tile (CW-CPTRF)
 - Bi-Lite Tile (CW-BLTRF)
 - Bi-Lite Slate (CW-BLSRF)
 - Quad Lite Tile (CW-QLTRF)
 - Quad Lite Slate (CW-QLSRF)
- ▶ **Additional Installation Products** -
 - Underfelt Collar (FC)
 - Vapour Collar (VC)
- ▶ **Accessories** -
 - 2 metre window pole (WP2M)
 - 3 metre window pole (WP3M)
 - Premium electric kit (PEK1W)
 - Standard electric kit (SEK1W)
 - Opening restrictor (OR)
 - Security lock (SL)
- ▶ **Blinds** -
 - Integral Blind (I-CP/I-TH)
 - Dim out Blind (SA/D)
 - Black out Blind (SA/B)





Window Sizes (WxH)	550x780	550x980	660x1180	780x1180	780x1400	1340x980	550x980	660x1180	780x1180	780x1400
Pine Finish										
Centre Pivot						Top Hung		Fire Escape		
Thermal Product Code	CW-CP-01-T	CW-CP-02-T	CW-CP-03-T	CW-CP-05-T	CW-CP-06-T	CW-CP-09-T	CW-TH-02-T	CW-FE-03-T	CW-FE-05-T	CW-FE-06-T
Hi Therm Product Code	CW-CP-01-HT	CW-CP-02-HT	CW-CP-03-HT	CW-CP-05-HT	CW-CP-06-HT	CW-CP-09-HT	CW-TH-02-HT	CW-FE-03-HT	CW-FE-05-HT	CW-FE-06-HT
White Finish										
Note: To order White Finish please insert the reference "WF" to the code ie. CW-WF-CP-04-T.										

Note: Other sizes are available, please contact the Keylite Sales Team for details of full range.

Thermal Performance

		Thermal [T]	Hi Therm [HT]	Triple [KTG]	Frosted [T-FR]
Window U value	U _w [W/m ² K]	1.3	1.3	1.0	1.3
Centre pane U value	U _g [W/m ² K]	1.0	1.0	0.6	1.0

Glazing

Thermal (T) - Double glazed, toughened outer pane, argon gas filled cavity, float inner pane.

Hi-Therm (HT) - Double glazed, self-cleaning toughened outer pane, argon gas filled cavity, laminated inner pane with enhanced noise reduction.

Triple Glazed (KTG) - Triple glazed, self-cleaning toughened outer pane, krypton gas filled cavity, float centre pane, krypton gas filled cavity, float inner pane with enhanced sound and thermal insulation.

Frosted (FR) - Double glazed, toughened outer pane, argon gas filled cavity, frosted float inner pane.

Maintenance

- ▶ The glazing pane of a Keylite Conservation Roof Window can be cleaned with a soft, clean cloth/chamois or non-metal squeegee. Clean water will be sufficient for cleaning the pane.
- ▶ The sash can be rotated through 180° where the outer pane can become available for cleaning once locked in position using the plastic locking mechanism located along the top of the sash.

Glazing Option

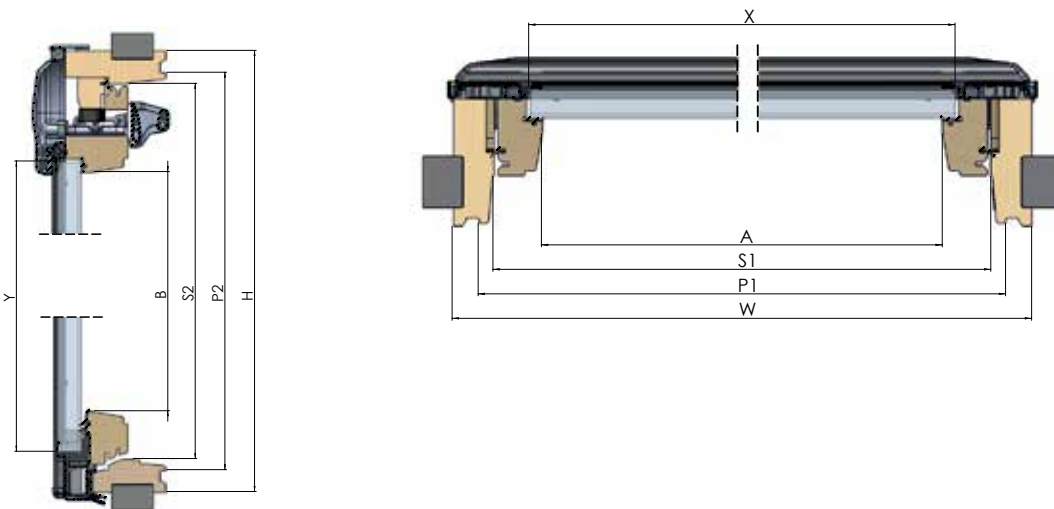
Glazing Option - Results		Thermal [T]	Hi Therm [HT]	Triple [KTG]
UV	transmittance (%)	τ_{uv} = 35,0	= 3,7	= 19,9
Light	transmittance for standard illuminant D65 (%)	τ_v = 80,1	= 79,5	= 70,9
	reflectance for standard illuminant D65 (%)(*)	ρ_v = 12,2	= 12,2	= 15,2
	reflectance for standard illuminant D65 (%)(**)	ρ_v = 12,3	= 12,2	= 17,8
	general colour rendering index (%)	R _a = 97,4	= 97,1	= 95,6
Energy	solar direct transmittance (%)	τ_e = 54,5	= 51,4	= 41,8
	solar direct reflectance (%)(*)	ρ_e = 28,8	= 28,7	= 33,3
	solar direct reflectance (%)(**)	ρ_e = 27,8	= 23,8	= 30,9
	solar direct absorption (%)(*)	a = 16,7	= 19,9	= 24,9
	secondary internal heat transfer factor (%)(*)	q _i = 8,3	= 11,1	= 11,0
	total solar energy transmittance (solar factor) EN 410 (%)(*)	g = 62,8	= 62,5	= 52,7
	total solar energy transmittance (solar factor) DIN 67507 (%)(*)	g = 59,8	= 59,5	= 49,8
shading coefficient (+g_DIN/0,87)(*)	sc = 0,69	= 0,68	= 0,57	

(*) Incident Radiation from the outside (**) Incident Radiation from the inside

Technical Information

Window type	Window Size	External Frame Size		Sash Size		Glazing Size		Visible Glazing Size		Plasterboard		Natural Daylight Area (m ²)	Equivalent Ventilation Area (mm ²)	Structural Opening Size Required	
		(mm)		(mm)		(mm)		(mm)		(mm)				(mm)	
		W	H	S1	S2	X	Y	A	B	P1	P2	W	H		
CW	01	550	780	460	690	396	593	371	531	496	720	0.197	3,879	590	820
CW	02	550	980	460	890	396	793	371	731	496	920	0.271	3,879	590	1020
CW	03	660	1180	570	1090	506	993	481	931	606	1120	0.448	4,658	700	1220
CW	04	780	980	690	890	626	793	601	731	726	920	0.439	6,567	820	1020
CW	05	780	1180	690	1090	626	993	601	931	726	1120	0.560	6,567	820	1220
CW	06	780	1400	690	1310	626	1213	601	1151	726	1340	0.692	6,567	820	1440
CW	07	940	1600	850	1510	786	1413	761	1351	886	1540	1.028	7,914	980	1640
CW	07F	940	1400	850	1310	786	1213	761	1151	886	1340	0.876	7,914	980	1440
CW	08	1140	1180	1050	1090	986	993	961	931	1086	1120	0.895	9,597	1180	1220
CW	09	1340	980	1250	890	1186	793	1161	731	1286	920	0.849	11,281	1380	1020
CW	10	1340	1400	1250	1310	1186	1213	1161	1151	1286	1340	1.336	11,281	1380	1440
CW	01C	550	1180	460	1090	396	993	371	931	496	1120	0.345	3,879	590	1220
CW	01F	550	1400	460	1310	396	1213	371	1151	496	1340	0.427	3,879	590	1440
CW	01G	550	1600	460	1510	396	1413	371	1351	496	1540	0.501	3,879	590	1640
CW	03A	660	780	570	690	506	593	481	531	606	720	0.255	4,658	700	820
CW	03B	660	980	570	890	506	793	481	731	606	920	0.352	4,658	700	1020
CW	03F	660	1400	570	1310	506	1213	481	1151	606	1340	0.554	4,658	700	1440
CW	03G	660	1600	570	1510	506	1413	481	1351	606	1540	0.650	4,658	700	1640
CW	04A	780	780	690	690	626	593	601	531	726	720	0.319	6,567	820	820
CW	04G	780	1600	690	1510	626	1413	601	1351	726	1540	0.812	6,567	820	1640
CW	07A	940	780	850	690	786	593	761	531	886	720	0.404	7,914	980	820
CW	07B	940	980	850	890	786	793	761	731	886	920	0.556	7,914	980	1020
CW	07C	940	1180	850	1090	786	993	761	931	886	1120	0.708	7,914	980	1220
CW	08A	1140	780	1050	690	986	593	961	531	1086	720	0.510	9,597	1180	820
CW	08B	1140	980	1050	890	986	793	961	731	1086	920	0.702	9,597	1180	1020
CW	08F	1140	1400	1050	1310	986	1213	961	1151	1086	1340	1.106	9,597	1180	1440
CW	08G	1140	1600	1050	1510	986	1413	961	1351	1086	1540	1.298	9,597	1180	1640
CW	09A	1340	780	1250	690	1186	593	1161	531	1286	720	0.616	11,281	1380	820
CW	09C	1340	1180	1250	1090	1186	993	1161	931	1286	1120	1.081	11,281	1380	1220
CW	09G	1340	1600	1250	1510	1186	1413	1161	1351	1286	1540	1.569	11,281	1380	1640

Cross Section



Keylite UK

Ryder Close, Cadley Hill Industrial Estate,
Swadlincote, South Derbyshire, DE11 9EU

T: +44 (0) 1283 200 150

E: info@keyliteuk.com

NI & ROI

Derryloran Industrial Est. Sandholes Road,
Cookstown, Co. Tyrone, BT80 9LU

T: +44 (0) 28 8675 8921

E: info@keylite.co.uk