

Polar Centre Pivot Roof Window

Keylite's most versatile window, suitable for single or multiple applications in any roof with a pitch of 15° - 90°



Features

- ▶ **Bright White** – Keylite's Polar range combines the bright finish of PVC to compliment the interior décor of the contemporary home. The white internal finish blends perfectly with white ceilings and walls to maximise the use of natural light within any room.
- ▶ **Moisture Resistant** – PVC's natural resistance to moisture enables the Keylite Polar Roof Window performs equally as brilliantly in a damp environment as it does in a dry one. This makes them ideal for every room including even the steamiest bathroom or kitchen.
- ▶ **Preservation Promise** – The Polar Roof Windows long life bright white finish is guaranteed through the use of only the most premium grade of PVC materials, ensuring that Polar remains essentially maintenance free with only the occasional rub with a damp cloth required to retain its appearance
- ▶ **Integrated Thermal Collar** - Unlike other roof windows Keylite's thermal collar is integrated into the frame. The collar is activated by simply pulling the release tabs for a fast insulation solution, combating cold bridging.
- ▶ **Flick-Fit Brackets** - Keylite's unique Flick-Fit brackets are prefitted so you can lift the window straight from the box to the roof and simply select the setting for tile or slate
- ▶ **Click-Fit Hood** - Simply click the hood under the clips and secure.
- ▶ **Recessed Fit as Standard** - Every Keylite **Futuretherm** window is recessed as standard, sitting lower in the roof than ever before.
- ▶ **Low Profile Hood** - Keylite's new hood has a lower profile and features a more sculptured design, enhancing its appearance in the roof.
- ▶ **Warm Edge Glazing** - Every Keylite **Futuretherm** window now has a warm edge glazing unit as standard, to enhance the windows performance and reduce the occurrence of condensation.
- ▶ **New improved ventilation handle** - Keylite's slimline ventilation handle has a new contemporary style, designed to provide comfortable opening of both the window and the ventilation flap.
- ▶ **All Weather Ventilation** - Keylite roof windows all provide trickle ventilation, even with the window fully closed and securely locked. The built in ventilation filter ensures no insects pass into the room, only clean fresh air.
- ▶ **Maintenance Free Hinge** - The hinge being the most vital component of the window, is the only operational part that moves. Keylite has eliminated the maintenance requirement of this component.
- ▶ **Sash Finger Springs** - The sash hinge finger spring allows the sash to be installed back into the frame in one smooth effortless motion.

Installation and Accessory Products

- ▶ **Flashings**
 - Single Installation:
 - Tile (TRF)
 - Deep Tile (DTRF)
 - Slate (SRF)
 - Plain Tile (PTRF)
 - Corrugated Roof (CRF)
 - Combination Installation:
 - Combi Tile (CTRF)
 - Combi Slate (CSRf)
 - Combi Plain Tile (CPTRF)
 - Bi-Lite Tile (BLTRF)
 - Bi-Lite Slate (BLSRF)
 - Quad Lite Tile (QLTRF)
 - Quad Lite Slate (QLSRF)
- ▶ **Additional Installation Products**
 - Underfelt Collar (FC)
 - Vapour Collar (VC)
- ▶ **Accessories**
 - 2 metre window pole (WP2M)
 - 3 metre window pole (WP3M)
 - Premium electric kit (PEK1W)
 - Standard electric kit (SEK1W)
 - Opening restrictor (OR)
 - Security lock (SL)
- ▶ **Blinds**
 - Integral Blind (I-CP)
 - Dim out Blind (SA/D)
 - Black out Blind (SA/B)

Application

- ▶ Keylite recommend installing the window so that the frame top is between 1.85 - 2.20m above the floor for ease of operation.
- ▶ For installation of roof windows above 2.2m Keylite also recommend electrical operation and a laminated inner safety pane.

Operation

- ▶ The Keylite Polar centre pivot roof window is operated manually as standard, through the full width use of our ventilation handle, located along the top of the sash.
- ▶ Electric operation is also available as an additional accessory.

Guarantee

- ▶ **10 Years** - Keylite's hassle free guarantee on windows and flashings
- ▶ **3 Years** - Keylite's hassle free guarantee on blinds, accessories and electrics.

Finish Options

- ▶ **Interior** - White
- ▶ **Exterior** - Grey
Conservation Black (CW)





Window Sizes (WxH)	550x780	550x980	550x1180	660x1180	780x980	780x1180	780x1400	940x1400	1140x1180	1340x980
Thermal Product Code	PCP 01 T	PCP 02 T	PCP 01C T	PCP 03 T	PCP 04 T	PCP 05 T	PCP 06 T	PCP 07F T	PCP 08 T	PCP 09 T
Hi Therm Product Code	PCP 01 HT	PCP 02 HT	PCP 01C HT	PCP 03 HT	PCP 04 HT	PCP 05 HT	PCP 06 HT	PCP 07F HT	PCP 08 HT	PCP 09 HT
Triple Glazed Product Code	PCP 01 KTG	PCP 02 KTG	PCP 01C KTG	PCP 03 KTG	PCP 04 KTG	PCP 05 KTG	PCP 06 KTG	PCP 07F KTG	PCP 08 KTG	PCP 09 KTG

Thermal Performance

		Thermal [T]	Hi Therm [HT]	Triple [KTG]	Frosted [T-FR]
Window U value	U _w [W/m²K]	1.3	1.3	1.0	1.3
Centre pane U value	U _g [W/m²K]	1.0	1.0	0.6	1.0

Glazing

Thermal (T) - Double glazed, toughened outer pane, argon gas filled cavity, float inner pane.

Hi-Therm (HT) - Double glazed, self-cleaning toughened outer pane, argon gas filled cavity, laminated inner pane with enhanced noise reduction.

Triple Glazed (KTG) - Triple glazed, self-cleaning toughened outer pane, krypton gas filled cavity, float centre pane, krypton gas filled cavity, float inner pane with enhanced sound and thermal insulation.

Frosted (FR) - Double glazed, toughened outer pane, argon gas filled cavity, frosted float inner pane.

Maintenance

- ▶ The glazing pane of a Keylite Polar Centre Pivot Roof Window can be cleaned with a soft, clean cloth/chamois or non-metal squeegee. Clean water will be sufficient for cleaning the pane.
- ▶ The sash can be rotated through 180° where the outer pane can become available for cleaning once locked in position using the plastic locking mechanism located along the top of the sash.

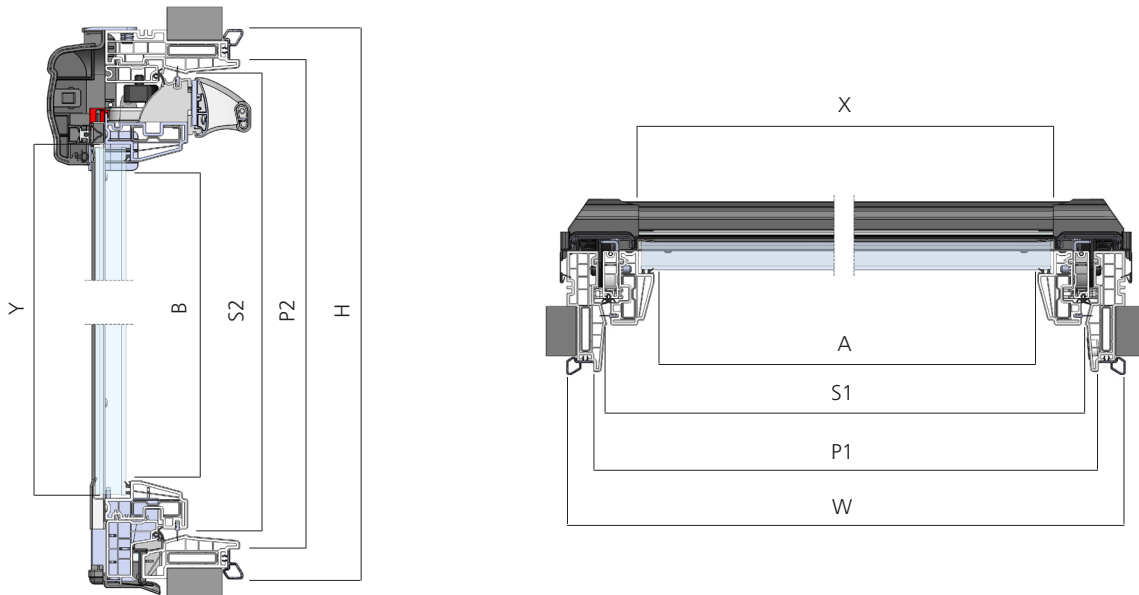
Glazing Option

Glazing Option - Results			Thermal [T]	Hi Therm [HT]	Triple [KTG]
UV	transmittance (%)	τ_{uv}	= 35,0	= 3,7	= 19,9
	transmittance for standard illuminant D65 (%)	τ_v	= 80,1	= 79,5	= 70,9
Light	reflectance for standard illuminant D65 (%)(*)	ρ_v	= 12,2	= 12,2	= 15,2
	reflectance for standard illuminant D65 (%)(**)	ρ_v	= 12,3	= 12,2	= 17,8
	general colour rendering index (%)	R _a	= 97,4	= 97,1	= 95,6
	solar direct transmittance (%)	τ_e	= 54,5	= 51,4	= 41,8
Energy	solar direct reflectance (%)(*)	ρ_e	= 28,8	= 28,7	= 33,3
	solar direct reflectance (%)(**)	ρ_e	= 27,8	= 23,8	= 30,9
	solar direct absorption (%)(*)	a	= 16,7	= 19,9	= 24,9
	secondary internal heat transfer factor (%)(*)	q _i	= 8,3	= 11,1	= 11,0
	total solar energy transmittance (solar factor) EN 410 (%)(*)	g	= 62,8	= 62,5	= 52,7
	total solar energy transmittance (solar factor) DIN 67507 (%)(*)	g	= 59,8	= 59,5	= 49,8
	shading coefficient (+g_DIN/0,87)(*)	sc	= 0,69	= 0,68	= 0,57

Technical Information

Window Type	Window Size	External Frame Size		Sash Size		Glazing Size		Visible Glazing Size		Plasterboard		Natural Daylight Area (m ²)	Equivalent Ventilation Area (mm ²)	OPENING SIZE REQUIRED	
		(mm)		(mm)		(mm)		(mm)		(mm)				(mm)	
		W	H	S1	S2	X	Y	A	B	P1	P2			W	H
PCP	01	550	780	466	696	396	593	370	567	492	722	0.210	3,879	590	820
PCP	02	550	980	466	896	396	793	370	767	492	922	0.284	3,879	590	1020
PCP	03	660	1180	576	1096	506	993	480	967	602	1122	0.464	4,658	700	1220
PCP	04	780	980	696	896	626	793	600	767	722	922	0.460	6,567	820	1020
PCP	05	780	1180	696	1096	626	993	600	967	722	1122	0.580	6,567	820	1220
PCP	06	780	1400	696	1316	626	1213	600	1187	722	1342	0.712	6,567	820	1440
PCP	07F	940	1400	856	1316	786	1213	760	1187	882	1342	0.902	7,914	980	1440
PCP	08	1140	1180	1056	1096	986	993	960	967	1082	1122	0.928	9,597	1180	1220
PCP	09	1340	980	1256	896	1186	793	1160	767	1282	922	0.890	11,281	1380	1020
PCP	01C	550	1180	466	1096	396	993	370	967	492	1122	0.358	3,879	590	1220
PCP	01F	550	1400	466	1316	396	1213	370	1187	492	1342	0.439	3,879	590	1440
PCP	03A	660	780	576	696	506	593	480	567	602	722	0.272	4,658	700	820
PCP	03B	660	980	576	896	506	793	480	767	602	922	0.368	4,658	700	1020
PCP	03F	660	1400	576	1316	506	1213	480	1187	602	1342	0.570	4,658	700	1440
PCP	04A	780	780	696	696	626	593	600	567	722	722	0.340	6,567	820	820
PCP	07A	940	780	856	696	786	593	760	567	882	722	0.431	7,914	980	820
PCP	07B	940	980	856	896	786	793	760	767	882	922	0.583	7,914	980	1020
PCP	07C	940	1180	856	1096	786	993	760	967	882	1122	0.735	7,914	980	1220
PCP	08A	1140	780	1056	696	986	593	960	567	1082	722	0.544	9,597	1180	820
PCP	08B	1140	980	1056	896	986	793	960	767	1082	922	0.736	9,597	1180	1020
PCP	08F	1140	1400	1056	1316	986	1213	960	1187	1082	1342	1.140	9,597	1180	1440
PCP	09A	1340	780	1256	696	1186	593	1160	567	1282	722	0.658	11,281	1380	820
PCP	09C	1340	1180	1256	1096	1186	993	1160	967	1282	1122	1.122	11,281	1380	1220

Cross Section


UK

Ryder Close, Cadley Hill Industrial Estate,
Swadlincote, South Derbyshire, DE11 9EU
T: +44 (0) 1283 200 158
E: info@keyliteuk.com

NI & ROI

Derryloran Industrial Est. Sandholes Road,
Cookstown, Co. Tyrone, BT80 9LU
T: +44 (0) 28 8675 8921
E: info@keylite.co.uk