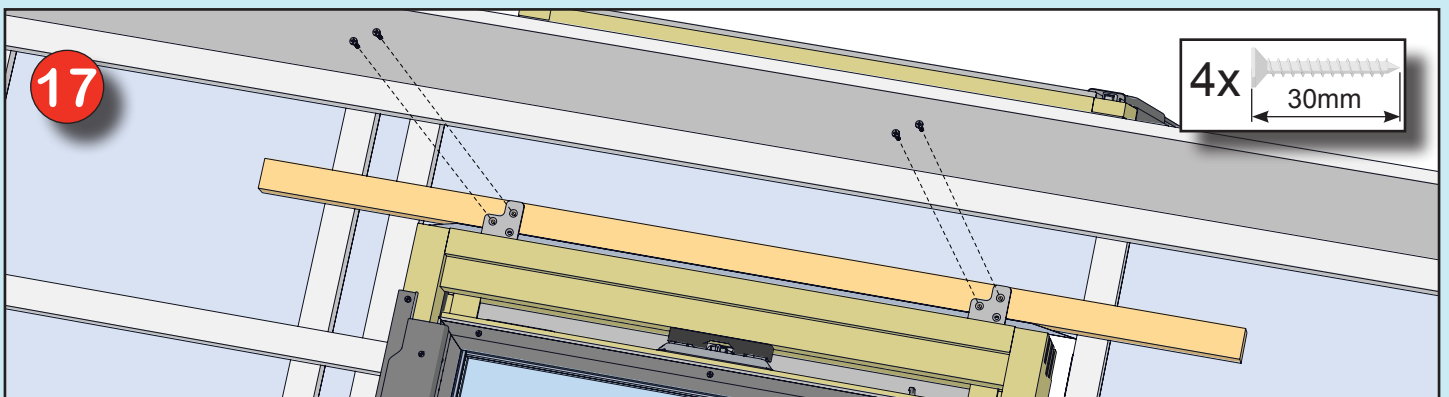
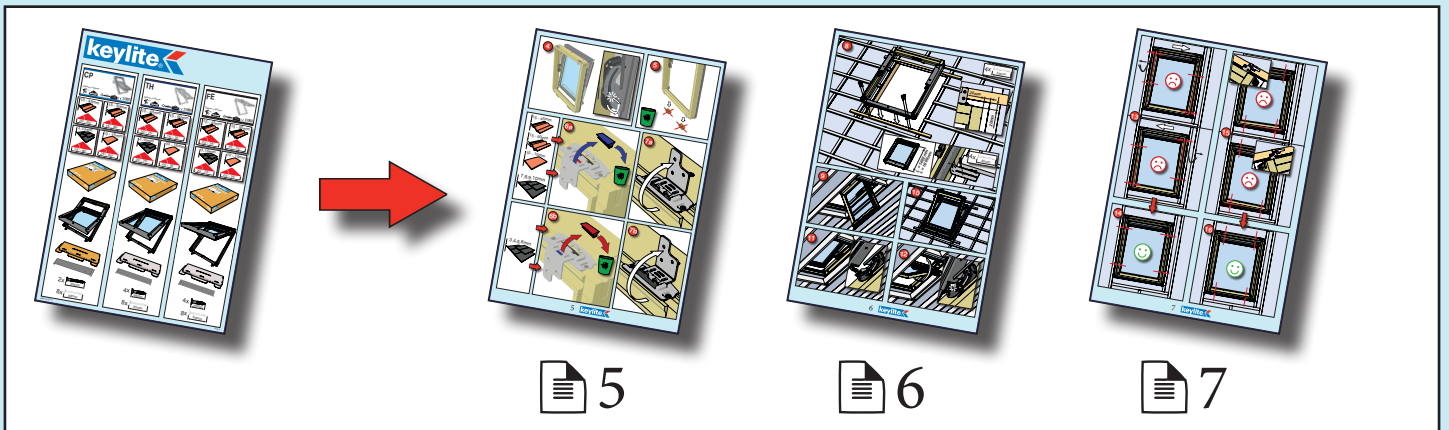
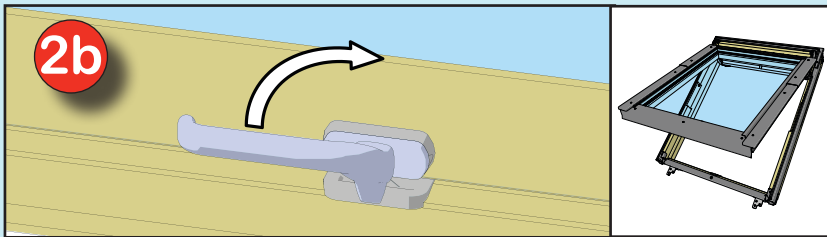
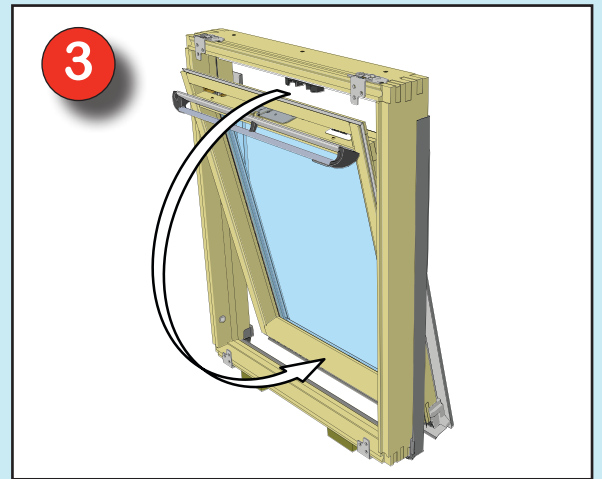
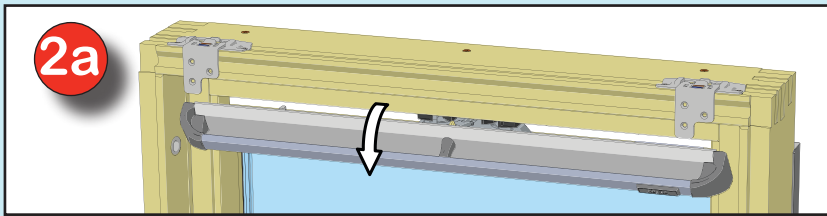
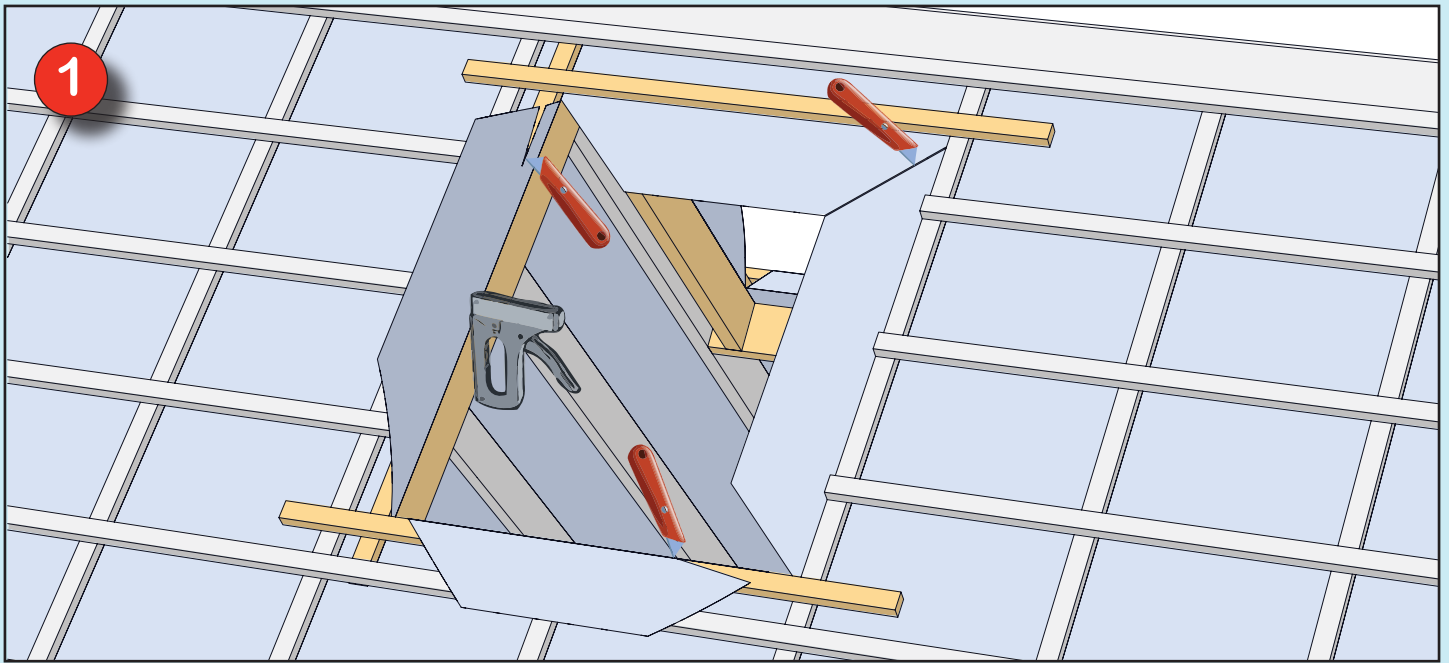


		<b>R</b>				
<b>A</b>	<b>L</b>	<b>780</b>	<b>980</b>	<b>1180</b>	<b>1400</b>	<b>1600</b>
140°	80	80	80	80	80	80
130°	80	80	80	80	80	80
120°	80	80	80	80	80	80
110°	80	80	80	80	80	100
100°	80	80	80	120	140	
90°	80	80	120	180	200	
80°	80	120	180	260		
70°	100	180	260			
60°	140	260				



18

