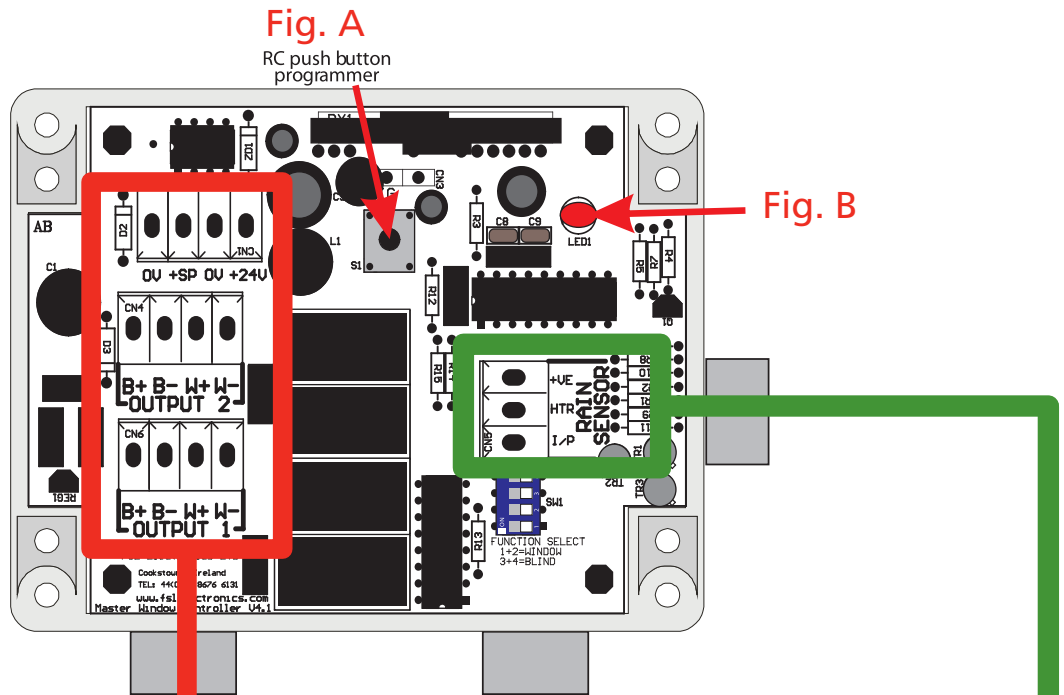
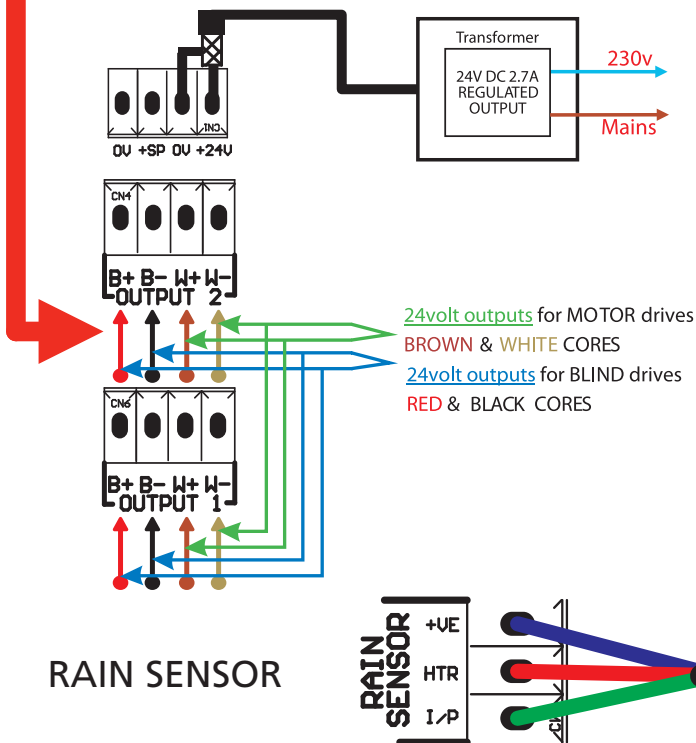


Kit Contents: KL/RX2 Master Control Panel, 24v 2.7A Power Supply, Rain Sensor, Remote Control

WIRING OF THE MASTER CONTROL



WINDOWS & BLIND CONNECTIONS



It is recommended that mains voltage to the transformer is fed through a switched fused spur with a 3 amp fuse

WARNING!
ONLY TO BE CONNECTED BY
A QUALIFIED ELECTRICIAN

4 core cable from motor:
BROWN | WHITE | ~~YELLOW~~ | ~~GREEN~~
Discard YELLOW & GREEN cores

All cables are to be a minimum of 0.75mm cable

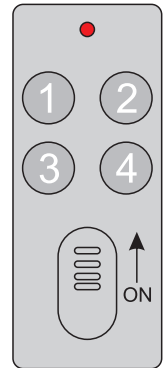
RAIN SENSOR FACTORY FITTED TO WINDOW

KL/RX2-2012G

**THE INSTALLATION OF THIS SYSTEM MUST BE CARRIED OUT BY A QUALIFIED ELECTRICIAN
THE GUARANTEE WILL BE VOIDED IF THIS IS NOT FOLLOWED**

REMOTE CONTROL PROGRAMMING

- Switch on Remote Control.
- Press the RC button in panel (Fig A)
Red LED will light (Fig B)
- Press any button on the hand held remote control.
Red LED in panel will flash (Fig B)
- Remote Control has been programmed.
- To delete all of the programming, press and hold the black RC button (Fig A) until LED in panel stops flashing.
Leave for 10 seconds before re-programming.



4-Channel
Remote Control

The KL/RX2 control panel can be used for a range of different operations, from operating 1 electric window and/or electric blind to 2 windows + 2 blinds.

REMOTE CONTROL OPERATION:

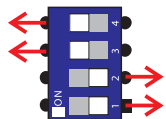
Button **1** on the remote control will **OPEN** the window(s). This will operate W+ and W- on OUTPUTS 1 & 2 simultaneously and can be stopped at any point by pressing button 1.

Button **3** on the remote control will **CLOSE** the window(s). This will operate W+ and W- on OUTPUTS 1 & 2 simultaneously.

Button **2** on the remote control will **OPEN** the blind(s). This will operate B+ and B- on OUTPUTS 1 & 2 simultaneously and can be stopped at any point by pressing button 2.

Button **4** on the remote control will **CLOSE** the blind(s). This will operate B+ and B- on OUTPUTS 1 & 2 simultaneously.

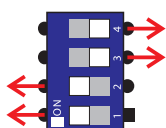
DIP SWITCHES FOR WINDOW & BLIND MOTORS



DIP SWITCHES 3 & 4 IN
THE ON POSITION AND
1 & 2 IN THE OFF POSITION

This will make outputs B+ and B- operate from buttons 2 & 4 and the rain sensor will NOT close the blinds upon detection of rain

DIP SWITCHES FOR WINDOW MOTORS ONLY



DIP SWITCHES 1 & 2 IN
THE ON POSITION AND
3 & 4 IN THE OFF POSITION

This will make outputs B+ and B- operate from buttons 1 & 3 and the rain sensor will close the blinds upon detection of rain

KL/RX2-2012G

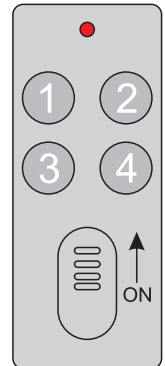
**THE INSTALLATION OF THIS SYSTEM MUST BE CARRIED OUT BY A QUALIFIED ELECTRICIAN
THE GUARANTEE WILL BE VOIDED IF THIS IS NOT FOLLOWED**

TROUBLE SHOOTING

REMOTE CONTROL

1) LED does not come on when a button is pressed.

- Ensure that the slide switch is in the on position.
- Replace the battery.



KL/RX2 MASTER CONTROL PANEL

1) Receive LED does not come on when a button is pressed on the remote control.

- Ensure that there is a 24V DC supply to the control panel.
- Ensure that the remote control is programmed to the control panel by following the instructions on the previous page.
- Check the aerial connection for signs of damage.

2) The window closes with button 1.

- The wires on connections W+ and W- need to be reversed.

3) The blind closes with button 2.

- The wires on connections B+ and B- need to be reversed.

4) The rain sensor opens the window

- The wires on connections W+ and W- need to be reversed.

5) The rain sensor does not operate

- Please ensure that the wires connected to the rain sensor connector are correct and are made with a secure connection.

| Technical Data | | Intended Use |
|---------------------------|----------------------|---|
| Type | :KL/CTR6S | - Ventilation and blind control of roof windows. |
| Nominal Voltage | :110-240VAC, 47-63Hz | - Integrated receiver for radio remote control. |
| Rated Power | :1.4A | - Radio frequency 433MHz - approved for use in Australia, Brazil, Europe, Malaysia, New Zealand, Russia, Singapore, South Africa. |
| Temperature Range | :0-40°C | - Keeloq Rolling Code |
| Output Voltage | :24V DC | - Multiple control panels controllable with only one remote control. |
| Safe output rated current | :2.7A | - Only for inside mounting |

FOR THE LATEST TROUBLE SHOOTING GUIDE PLEASE REFER TO

<http://keyliteroofwindows.com/downloads/>

KL/RX2-2012G

**THE INSTALLATION OF THIS SYSTEM MUST BE CARRIED OUT BY A QUALIFIED ELECTRICIAN
THE GUARANTEE WILL BE VOIDED IF THIS IS NOT FOLLOWED**

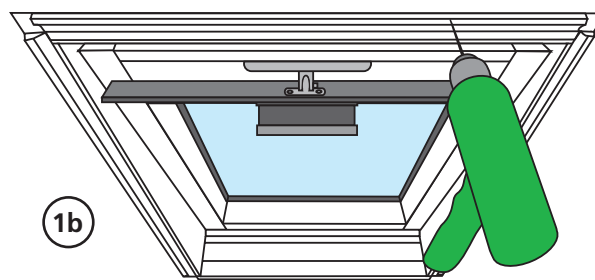
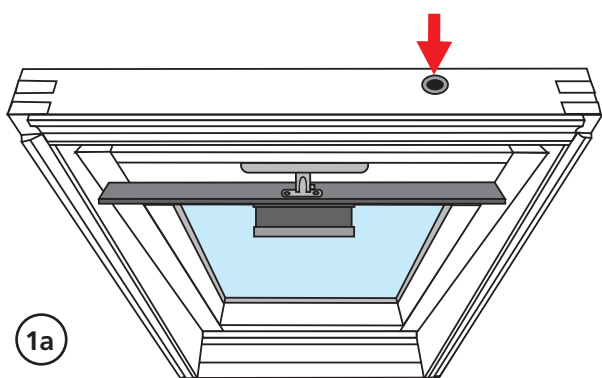
MOTOR INSTALLATION

SAFETY PROCEDURES

PLEASE ENSURE THE FOLLOWING PRECAUTIONS ARE TAKEN WHEN USING ANY OF THE PRODUCTS:

1. Disconnect the main electrical supply before carrying-out any work.
2. Ensure no forces act on the switch terminals after installation.
3. NB. There is a danger to life and risk of injury with electrically operated windows!
The window motor stops by an electronic 'limit stop' or 'overload cut-off'. The resulting forces are strong enough to crush body parts. Please attach the safety sticker to be clearly visible on the frame of the roof window. Please ensure that occupants are aware that the window can be closed automatically or by a remote switch.
4. We recommend only a suitably qualified electrician should install and connect all electrical devices.

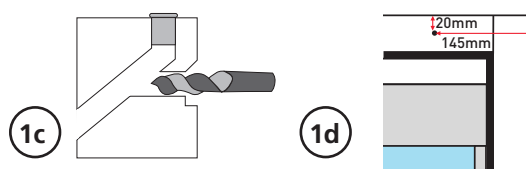
INSTALLATION PROCEDURES:



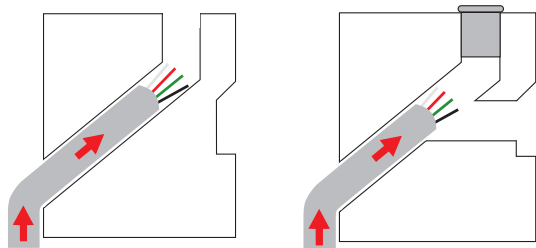
If the interior ceiling is not finished, the cable can be passed through the pre-drilled hole by removing the thimble (fig 1a).

Please note:

All Installation Procedures are viewed from inside the room.



If the ceiling is finished a 10mm hole must be drilled through the top of the frame (figs 1b, 1c & 1d), 20mm down from top and 145mm in from the side of the frame.



Feed the cable up through the hole (fig. 2a or 2b).

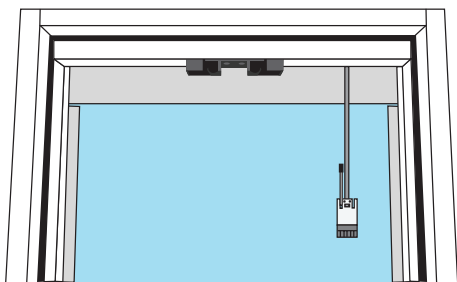
2a

2b

KL/RX2-2012G

**THE INSTALLATION OF THIS SYSTEM MUST BE CARRIED OUT BY A QUALIFIED ELECTRICIAN
THE GUARANTEE WILL BE VOIDED IF THIS IS NOT FOLLOWED**

3



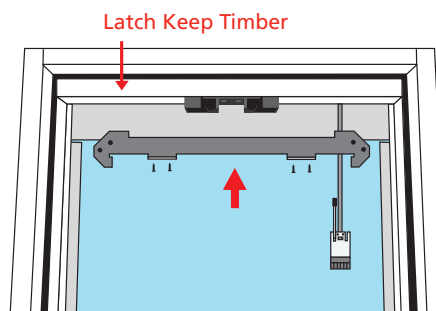
Please make sure there is approximately 500mm of cable remaining in the room (fig 3).

NB. If your kit contains a rain sensor it should be connected and fitted at this stage.

Now ensure all components are correctly wired up as per wiring diagram supplied with your kit.

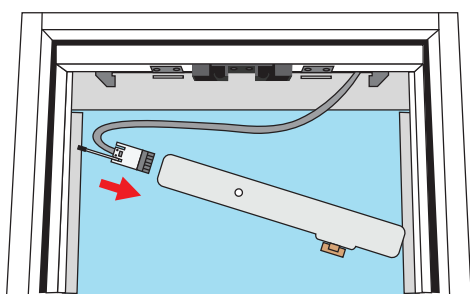
NB. If your kit contains a wall mounted switch it should be connected and fitted at this stage. (Please follow wiring diagram supplied with your kit.)

4



Attach the motor mounting bracket to the latch keep timber using 4 No. 25mm screws (fig 4). Centre the bracket on either side of the latch keep.

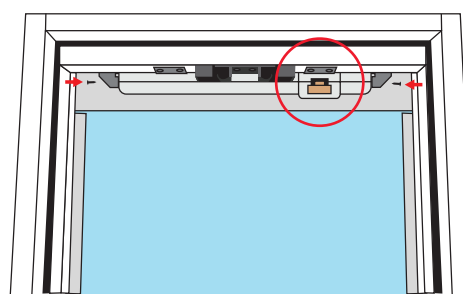
5



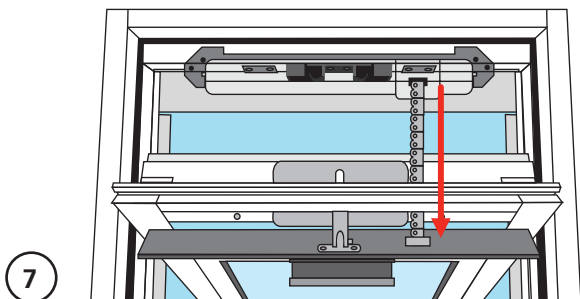
Plug the cable into the motor, ensuring that it is fully connected (fig 5).

NB. If your kit contains a remote control it should be programmed at this stage. (Please follow programming instructions as per wiring detail.)

6

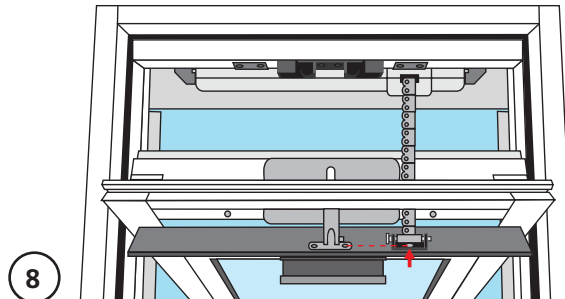


Fix the motor using 2 No. shoulder bolts. Ensure that the chain connector is facing inwards to the right of the latch keep (circled in fig 6). Once the motor is securely in position, feed the excess cable back up through the top of the frame.



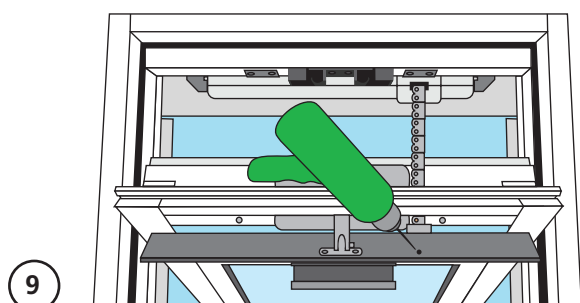
7

In order to attach the sash to the motor, fully extend the chain connector by pressing the down-arrow button on the wall mounted switch (fig 7). If you have opted not to fit a wall mounted switch you will then have to activate it using your remote control.



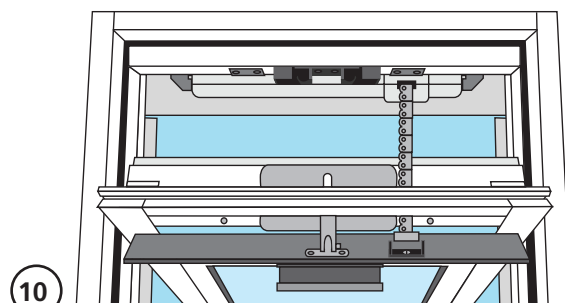
8

Once the chain is fully extended, use the connector bar to attach the chain to the vent flap bracket. Ensuring that you keep the chain straight, line up the vent flap bracket as shown (fig 8) and mark.



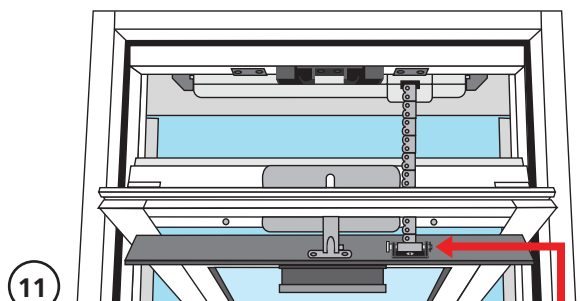
9

Drill a 5mm hole through the vent flap (fig 9).



10

Attach the vent flap bracket using 1 No. 16mm bolt and dome head nut (fig 10).



11

Feed the connector bar through the vent flap bracket and the chain connector. Secure with the cotter pin (fig 11).



www.keyliteroofwindows.com