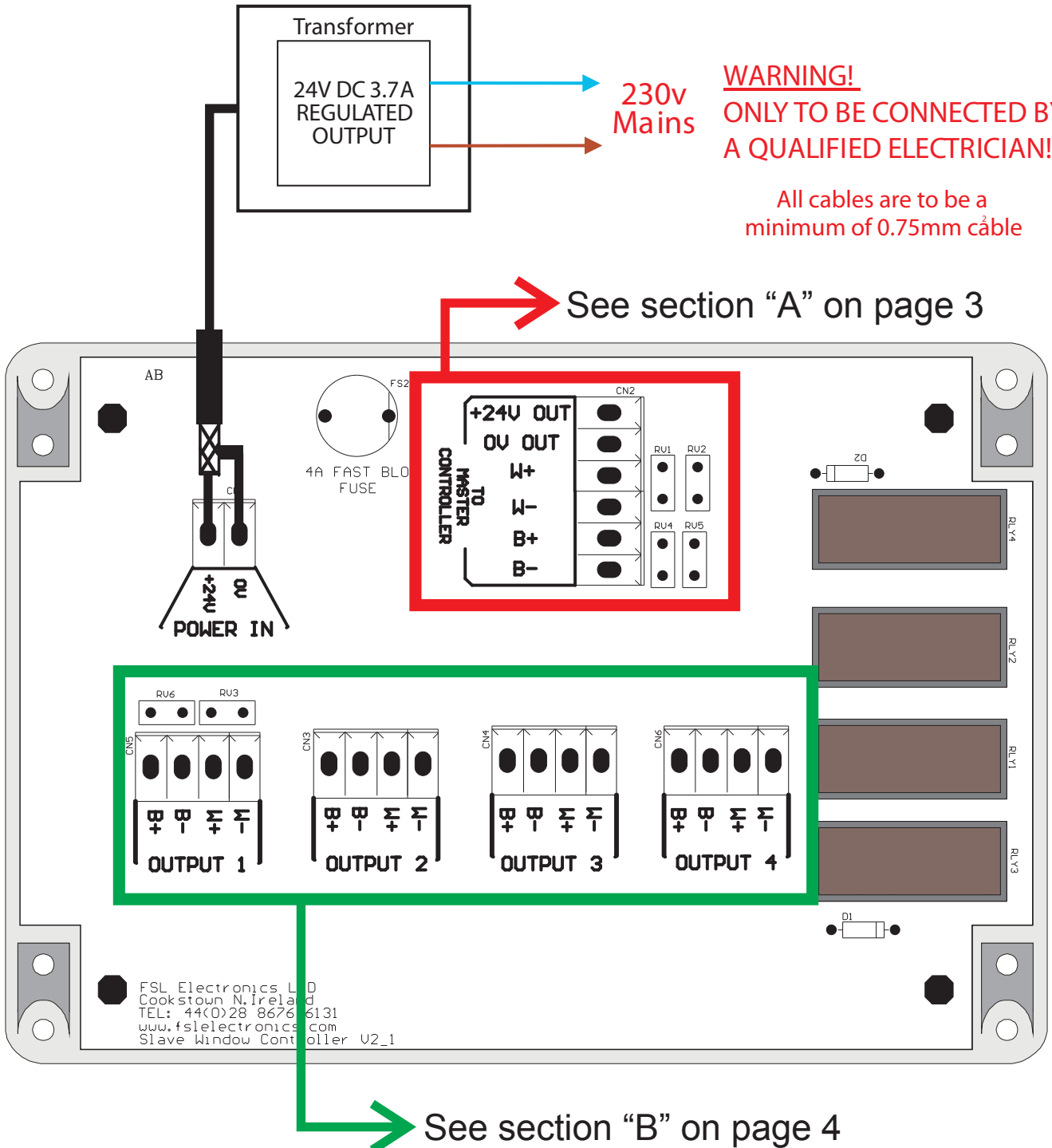


KL/CTR6S-2012B

Kit Contents
KL/CTR6S Support Control Panel
24V 3.7A Power Supply
5m Interconnection Cable

WIRING OF KL/CTR6S SUPPORT PANEL



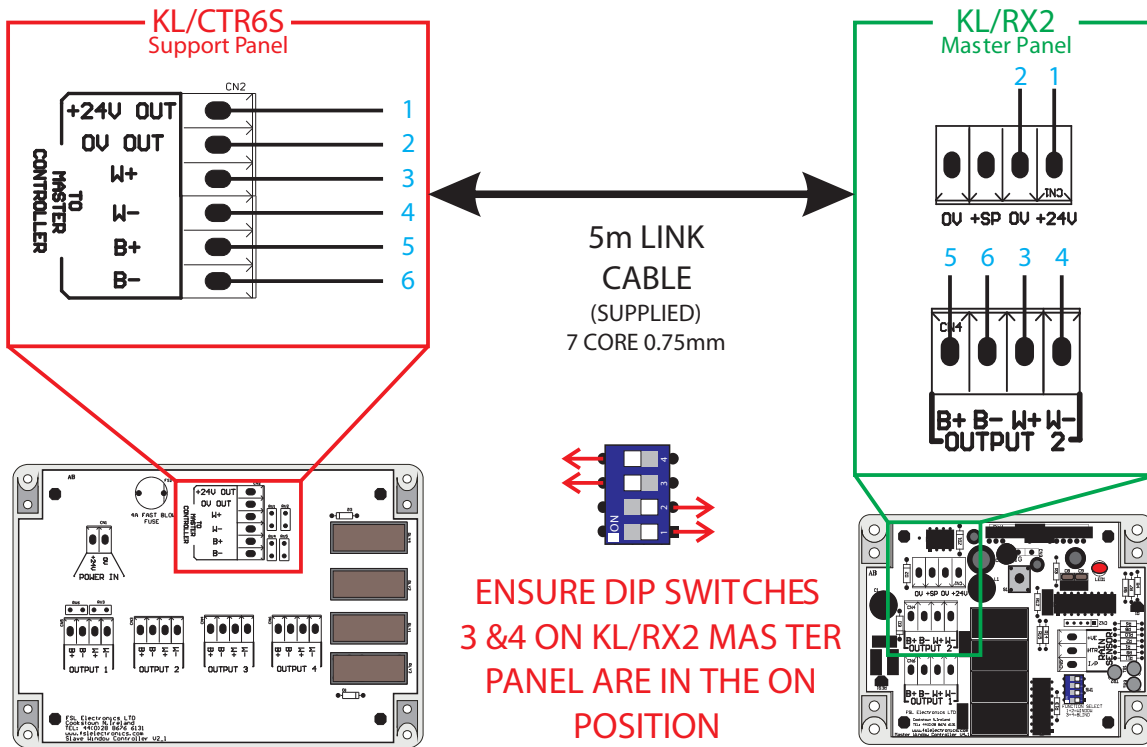
KL/CTR6S-2012B

**THE INSTALLATION OF THIS SYSTEM MUST ONLY BE CARRIED OUT BY A QUALIFIED ELECTRICIAN
THE GUARANTEE WILL BE VOIDED IF THIS IS NOT FOLLOWED**

WIRING OF KL/CTR6S SUPPORT PANEL

SECTION A:

Connecting the KL/CTR6S slave control panel to the KL/RX2 control panel using the supplied cable.



When connecting the Support and Master control panels together.

Wire connections on KL/CTR6S

Support Panel:-

- Wire number 1 is connected to +24 OUT
- Wire number 2 is connected to 0 OUT
- Wire number 3 is connected to W+
- Wire number 4 is connected to W-
- Wire number 5 is connected to B+
- Wire number 6 is connected to B-

Wire connections on KL/RX2

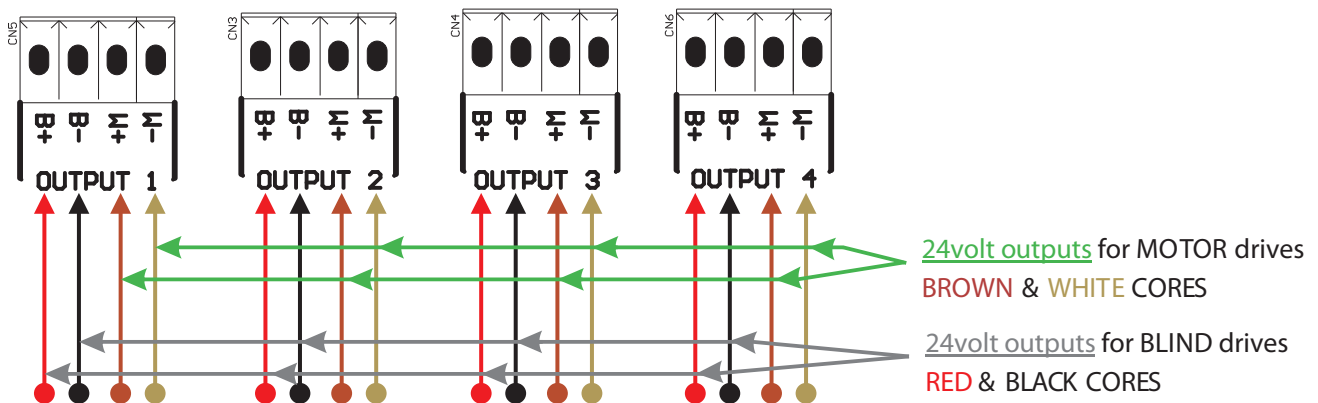
Master Panel:-

- Wire number 1 is connected to +24V
- Wire number 2 is connected to 0V
- Wire number 3 is connected to W+
- Wire number 4 is connected to W-
- Wire number 5 is connected to B+
- Wire number 6 is connected to B-

WIRING OF KL/CTR6S SUPPORT PANEL

SECTION B:

The KL/CTR6S Support panel can be used for a operating up to 4 windows and/or 4 electric blinds.



OUTPUT 1 - B+ & B- are the outputs to the BLIND on window 1
- W+ & W- are the outputs to the WINDOW on window 1

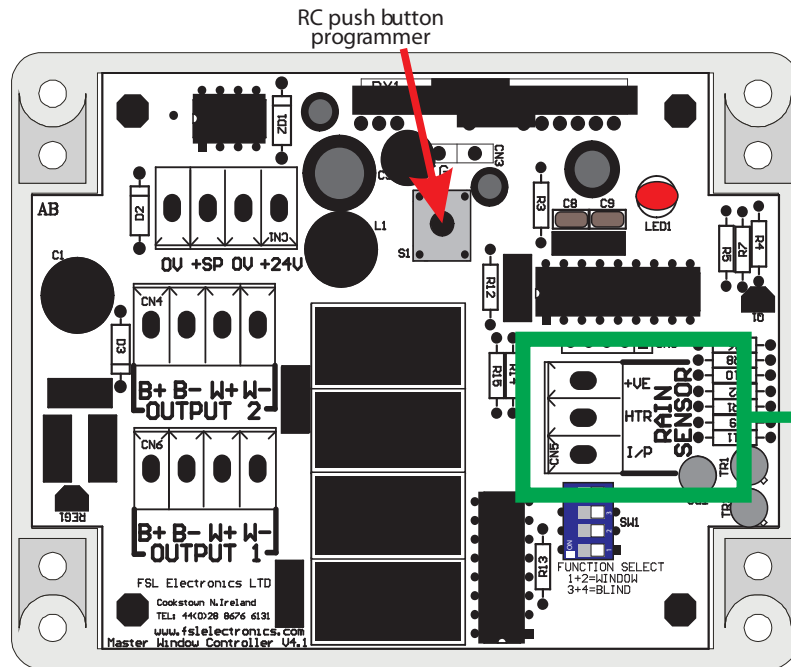
OUTPUT 2 - B+ & B- are the outputs to the BLIND on window 2
- W+ & W- are the outputs to the WINDOW on window 2

OUTPUT 3 - B+ & B- are the outputs to the BLIND on window 3
- W+ & W- are the outputs to the WINDOW on window 3

OUTPUT 4 - B+ & B- are the outputs to the BLIND on window 4
- W+ & W- are the outputs to the WINDOW on window 4

These outputs operate simultaneously in conjunction with the KL/RX2 Master control panel.
If a rain sensor is fitted to the master unit please ensure that all windows close when it operates.

WIRING OF KL/RX2 MASTER PANEL

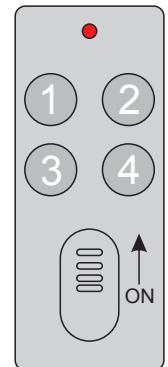


Rain Sensor



REMOTE CONTROL PROGRAMMING

- Ensure that the remote control is switched ON.
- Push and hold down the RC button in panel until the red LED (LED1) is lit then release button.
- Push any button on hand held remote control until red LED on the panel turns off then release the button
- Push any button on hand held remote control until red LED on the panel begins to flash. RC has been programmed.
- To delete all of the programming, press and hold the white RC button, which will light, flash and then extinguish – then release the button. Leave for 10 seconds before re-programming
- **Please note - 1 remote control may be programmed into multiple control panels**



4-Channel Remote Control

The KL/RX2 Master control panel can be used for a range of different operations, from operating 1 electric window and/or electric blind to 4 windows.

REMOTE CONTROL OPERATION:

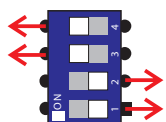
Button 1 on the remote control will OPEN the window(s). This will operate W+ and W- on OUTPUTS 1&2 simultaneously and can be stopped at any point by pressing either buttons 1 or 3.

Button 3 on the remote control will CLOSE the window(s). This will operate W+ and W- on OUTPUTS 1&2 simultaneously

Button 2 on the remote control will OPEN the blind(s). This will operate B+ and B- on OUTPUTS 1&2 simultaneously and can be stopped at any point by pressing either buttons 2 or 4

Button 4 on the remote control will CLOSE the blind(s). This will operate B+ and B- on OUTPUTS 1&2 simultaneously

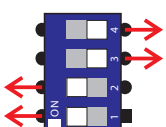
DIP SWITCHES FOR WINDOW & BLIND MOTORS



DIP SWITCHES 3&4 IN THE ON POSITION AND 1&2 IN THE OFF POSITION

This will make outputs B+ and B- operate from buttons 2 & 4 and the rain sensor will NOT close the blinds upon detection of rain.

DIP SWITCHES FOR WINDOW MOTORS ONLY



DIP SWITCHES 1&2 IN THE ON POSITION AND 3&4 IN THE OFF POSITION

This will make outputs B+ and B- operate from buttons 1 & 3 and the rain sensor will close the windows upon detection of rain.

KL/CTR6S-2012B

TROUBLE SHOOTING:

REMOTE CONTROL

- 1) Transmit LED Does not come on when a button is pressed.
 - Ensure that the slide switch is in the on position.
 - Replace the battery.



KL/RX2 Master control panel

- 1) Receive LED Does not come on when a button is pressed on the remote control.
 - Ensure that there is a 24V DC supply to the control panel.
 - Ensure that the remote control is programmed to the control panel by following the instructions on the previous page.
 - Check the aerial connection for signs of damage.
- 2) The window closes with button 1.
 - The wires on connections W+ and W- need to be reversed.
- 3) The blind closes with button 2.
 - The wires on connections B+ and B- need to be reversed.
- 4) The rain sensor opens the window.
 - The wires on connections W+ and W- need to be reversed.
- 5) The rain sensor does not operate.
 - Please ensure that the wires connected to the rain sensor connector are correct and are made with a secure connection.

Technical Data		Intended Use
Type	:KL/CTR6S	- Ventilation and blind control of roof windows
Nominal Voltage	:110-240VAC, 47-63Hz	- Integrated receiver for radio remote control
Rated Power	:1.2A	- Radio frequency 433MHz - approved for use in Australia, Brazil, Europe, Malaysia, New Zealand, Russia, Singapore, South Africa.
Temperature Range	:0-40°C	- KeeLoq Rolling code
Output Voltage	:24V DC	- Multiple control panels controllable with only one remote control
Safe output rated current	:3.75A	- Only for inside mounting

FOR THE LATEST TROUBLE SHOOTING GUIDE PLEASE REFER TO
<http://keyliteroofwindows.com/downloads/>

KL/CTR6S-2012B