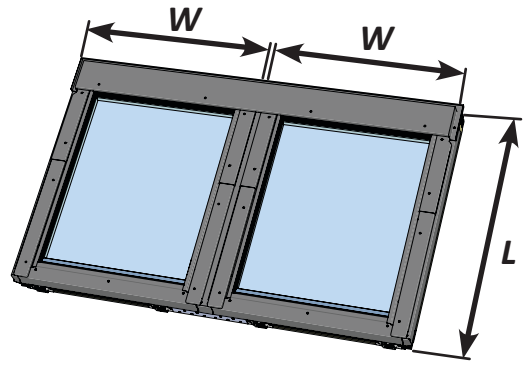
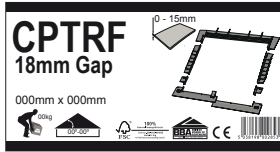
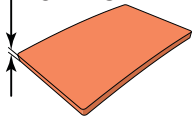

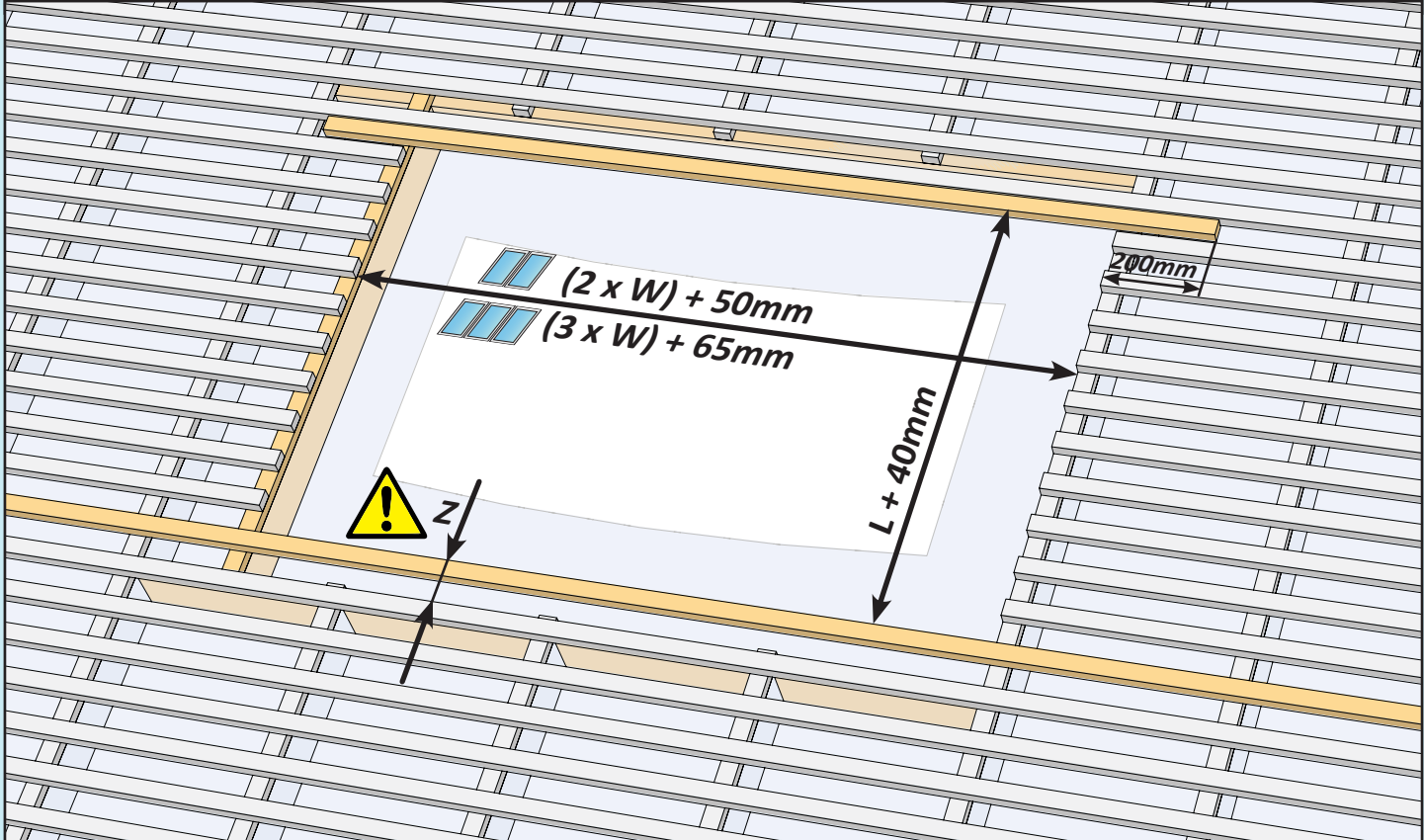
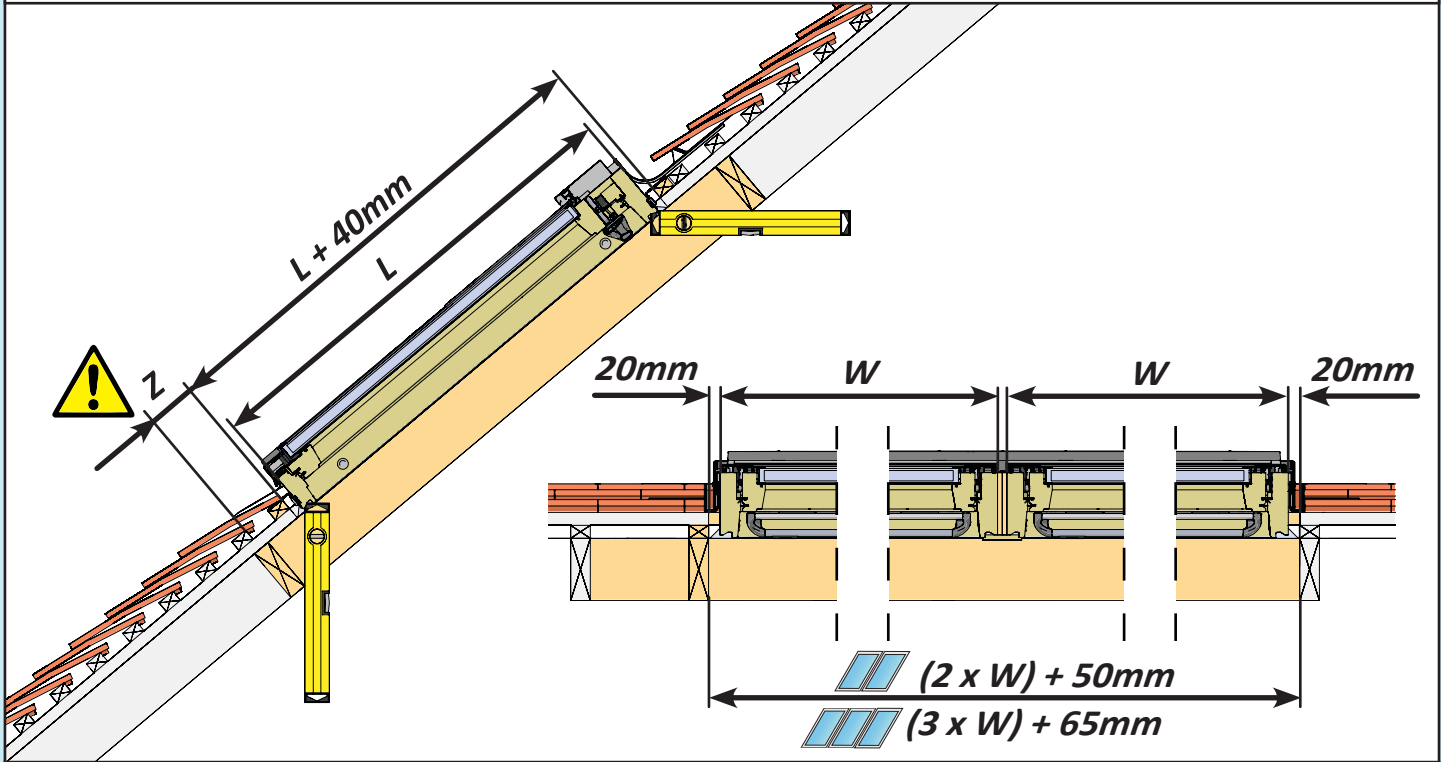
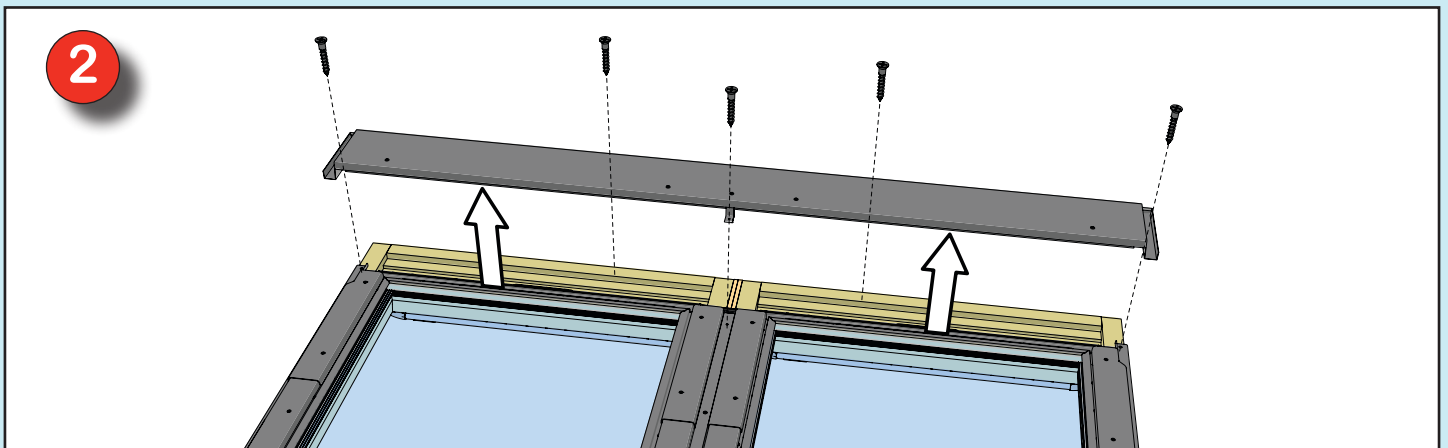
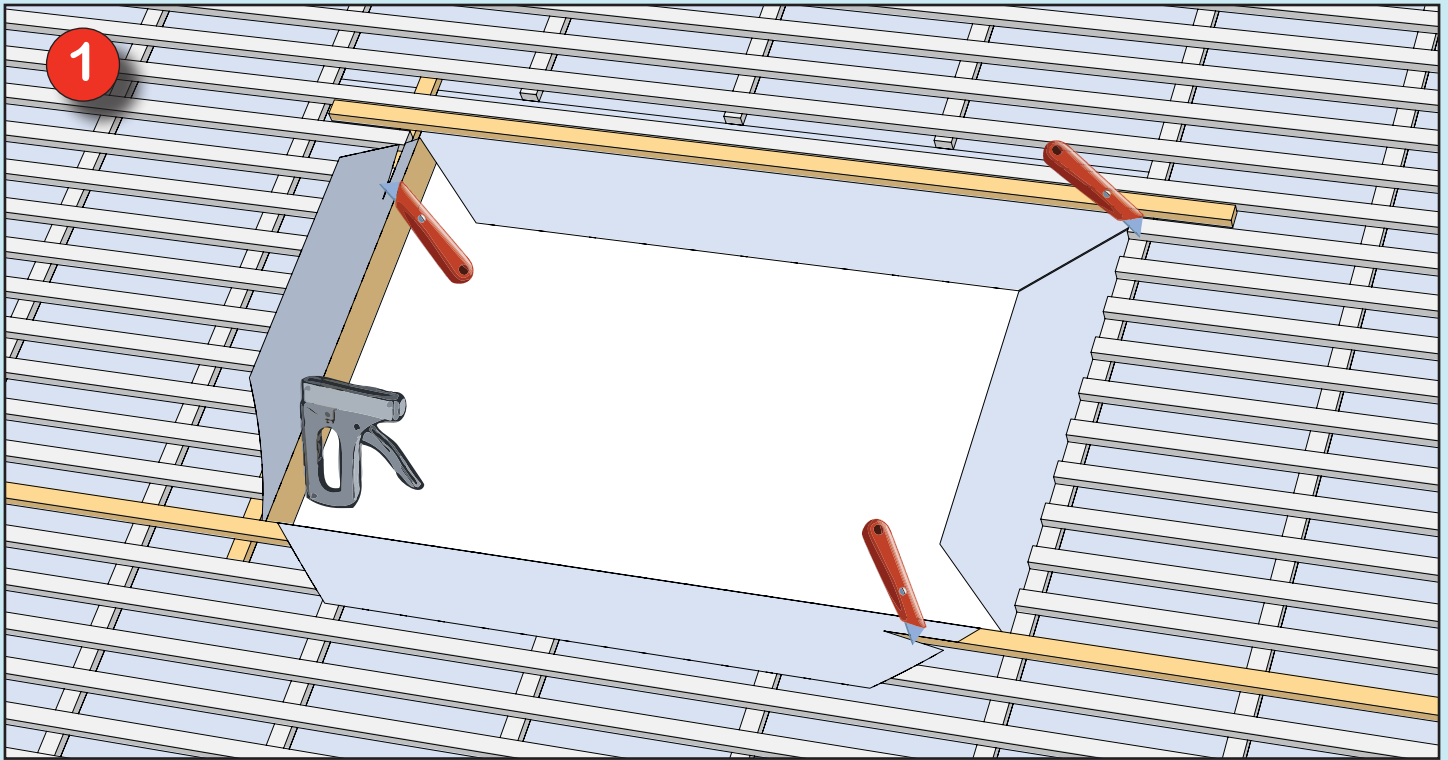
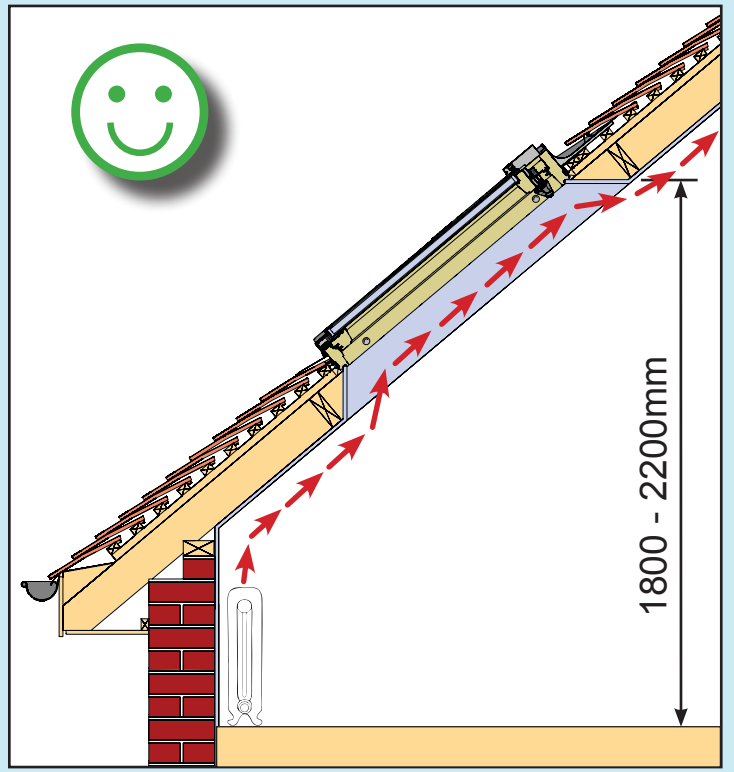
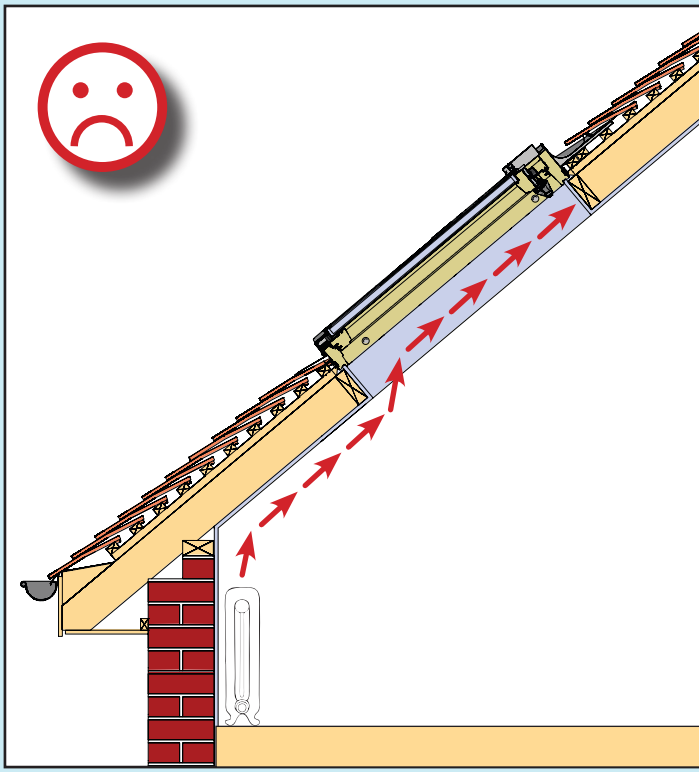


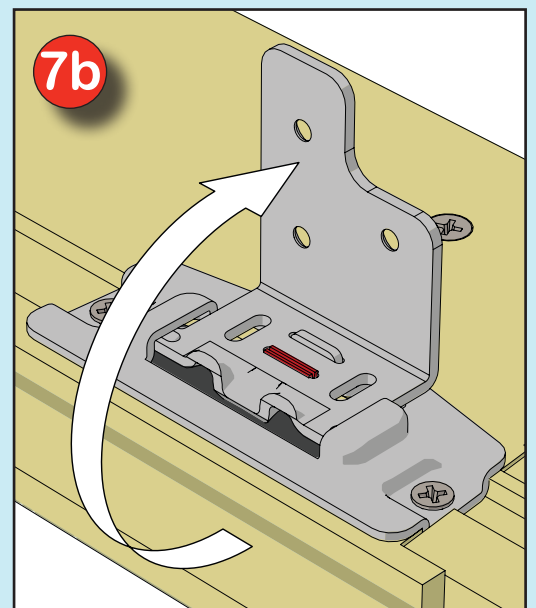
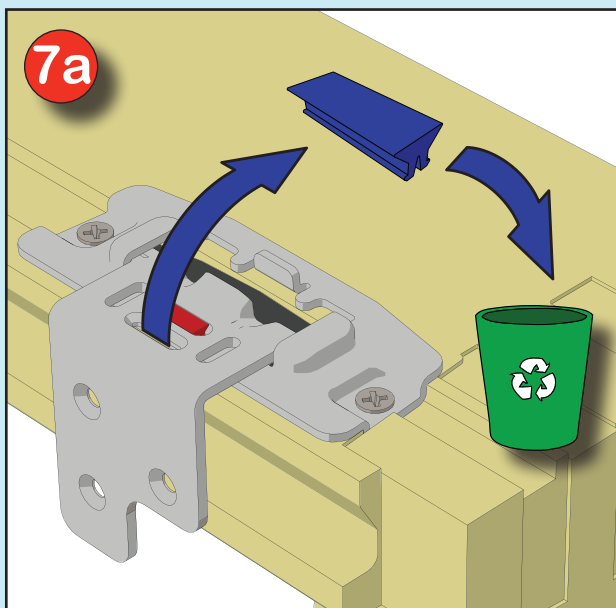
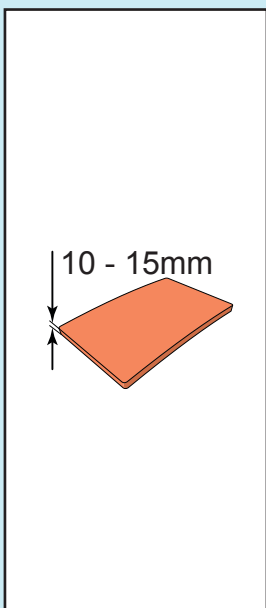
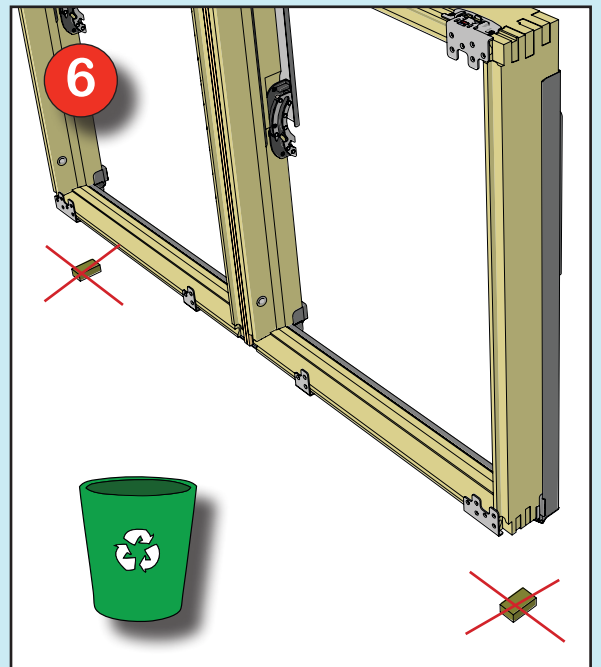
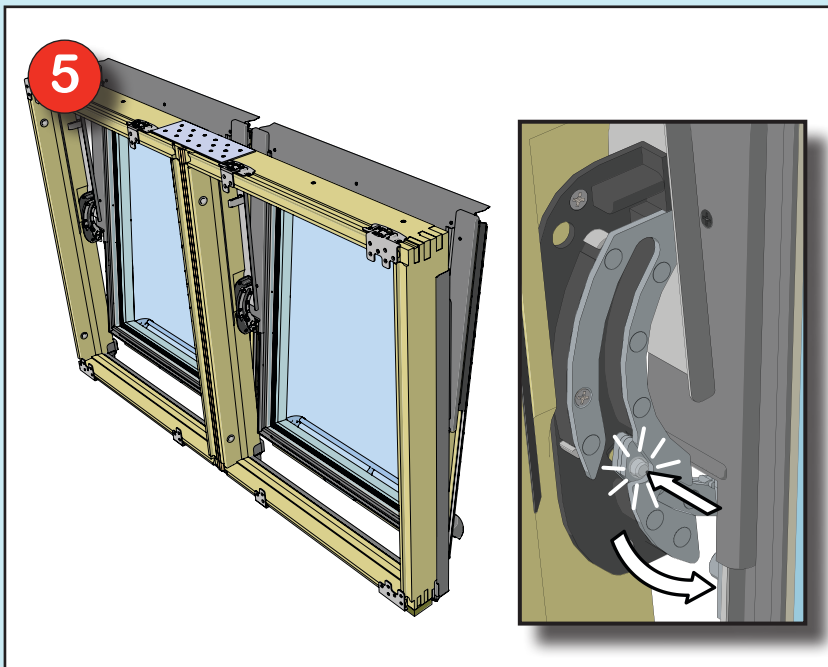
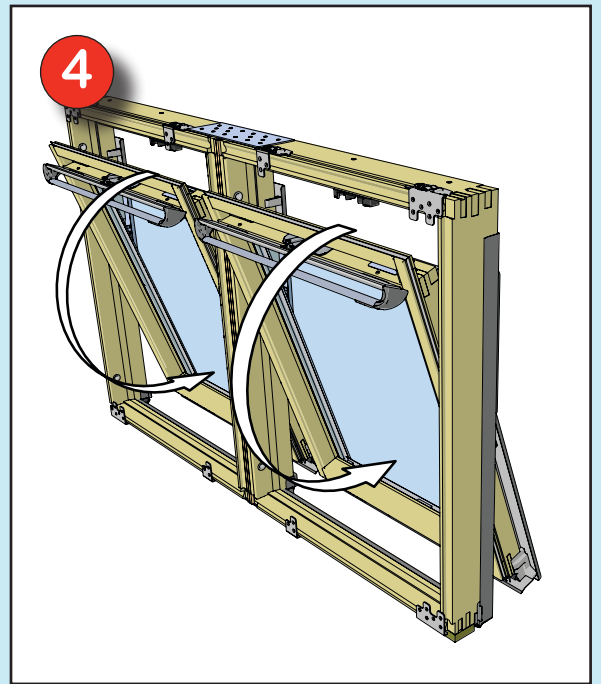
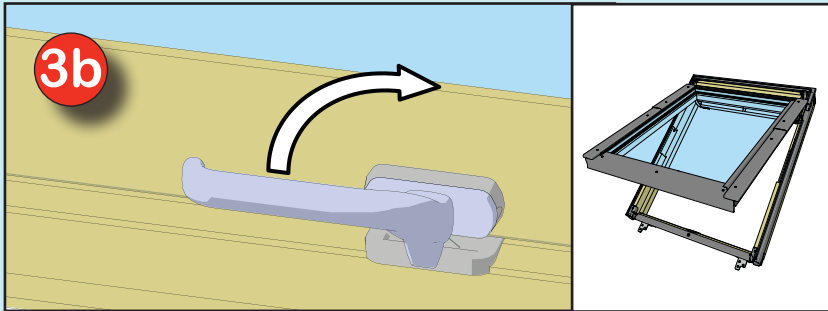
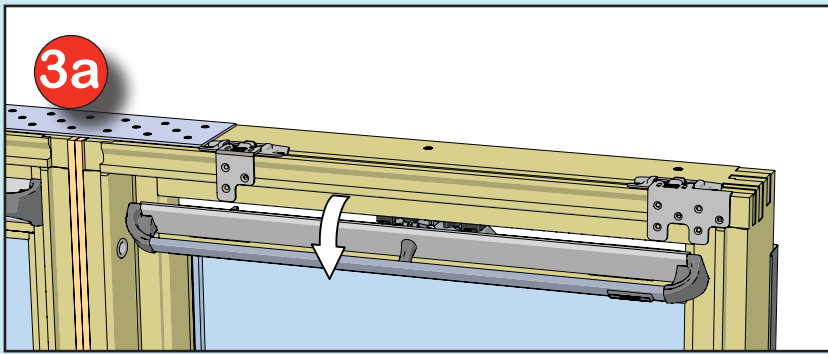
10 - 15mm

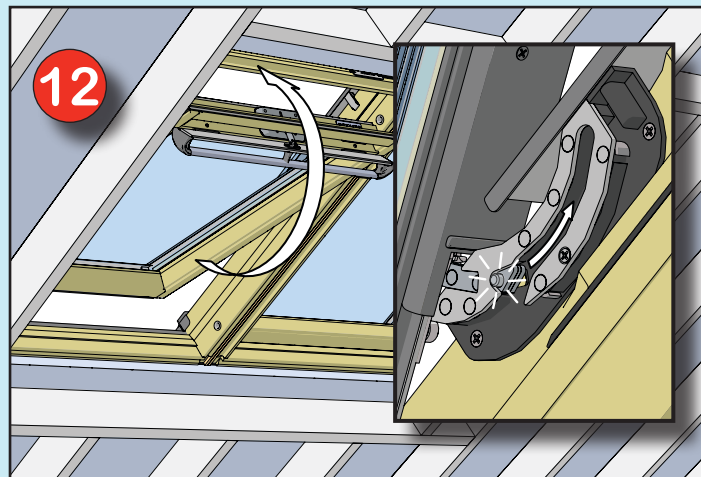
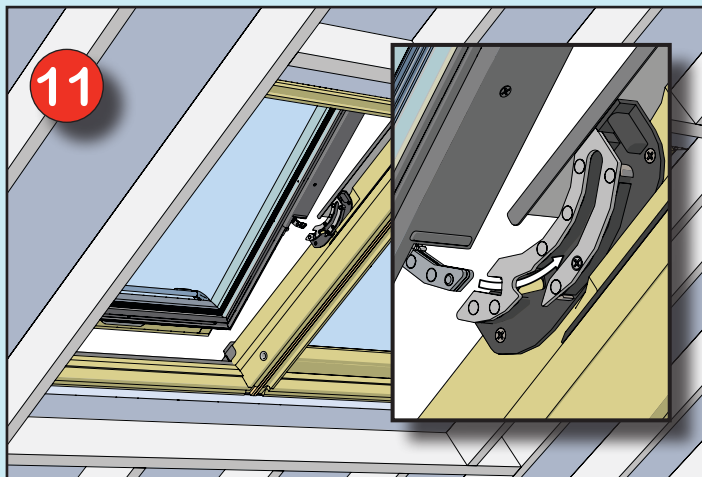
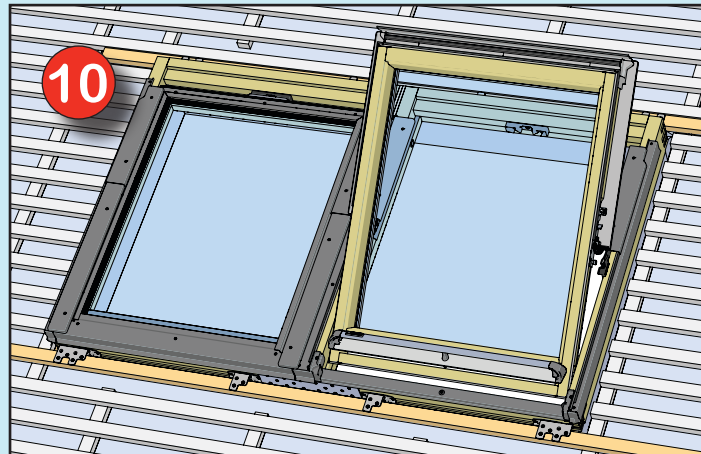
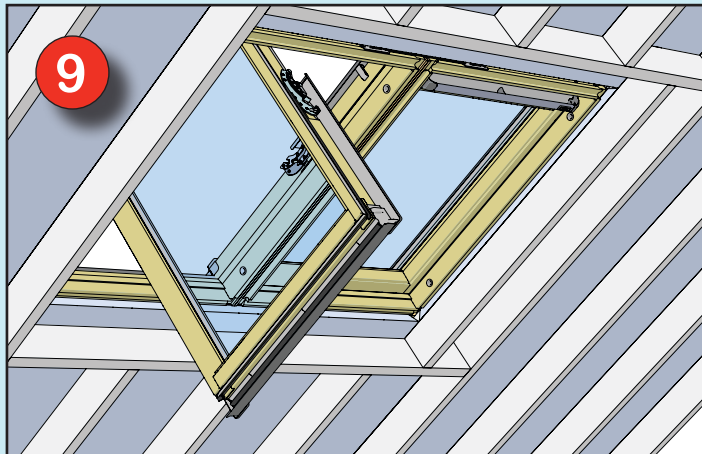
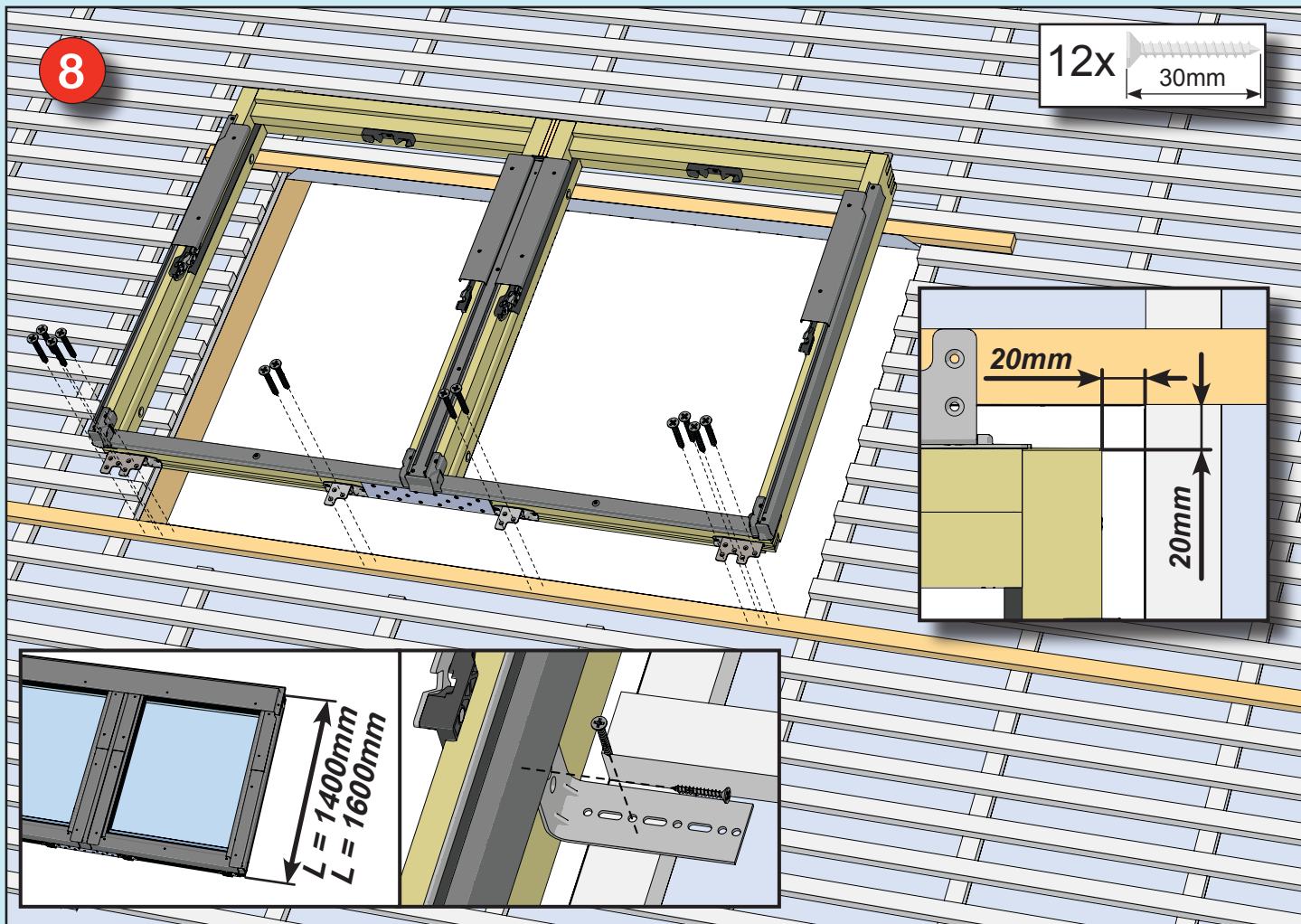


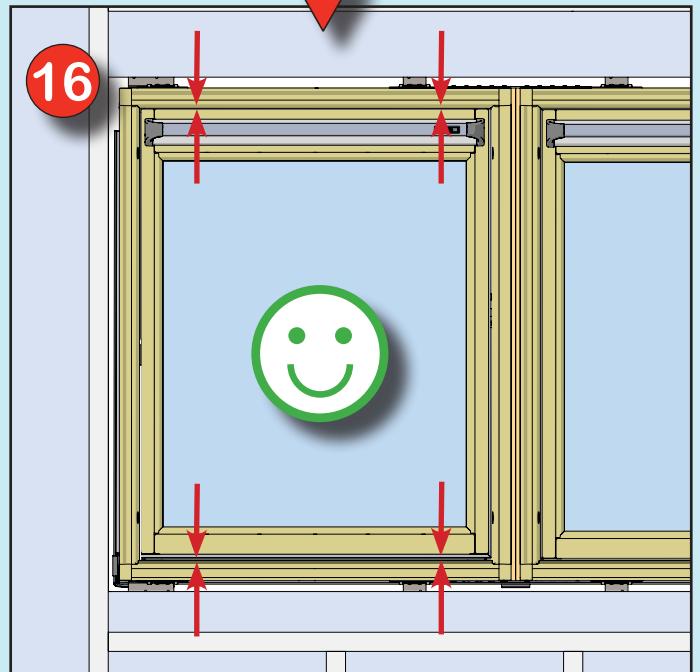
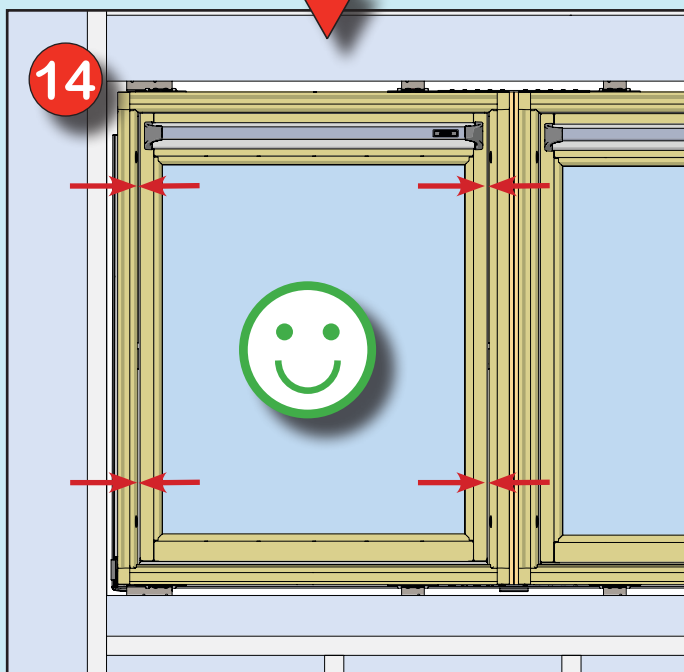
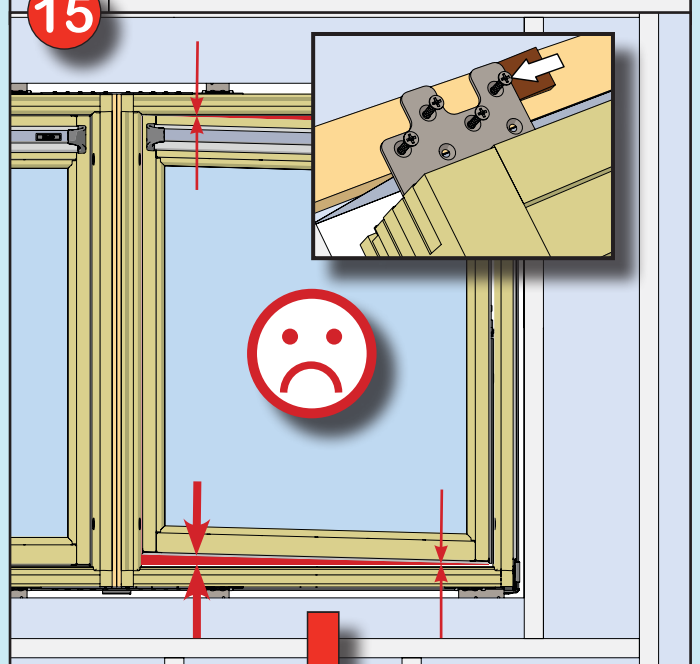
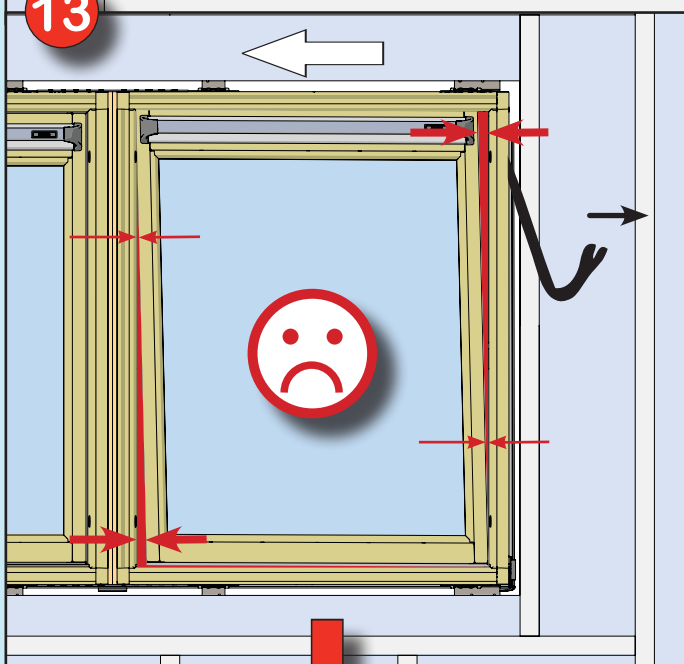
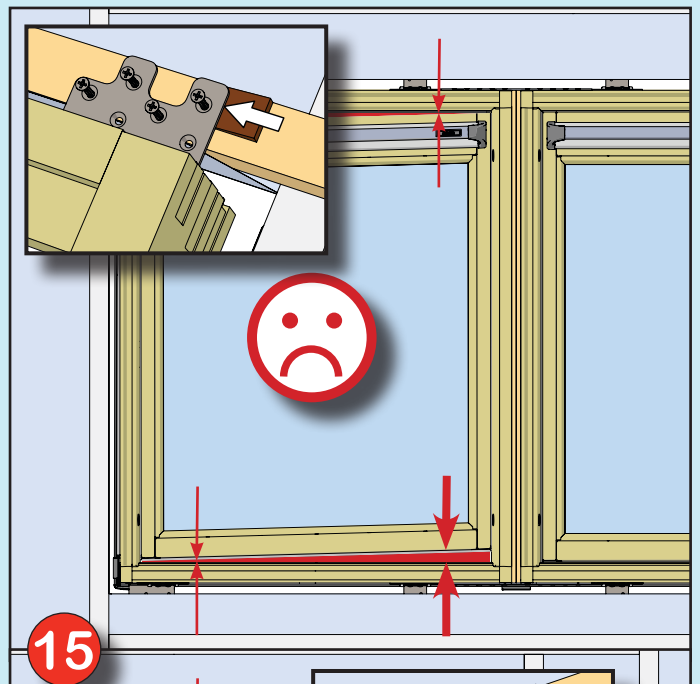
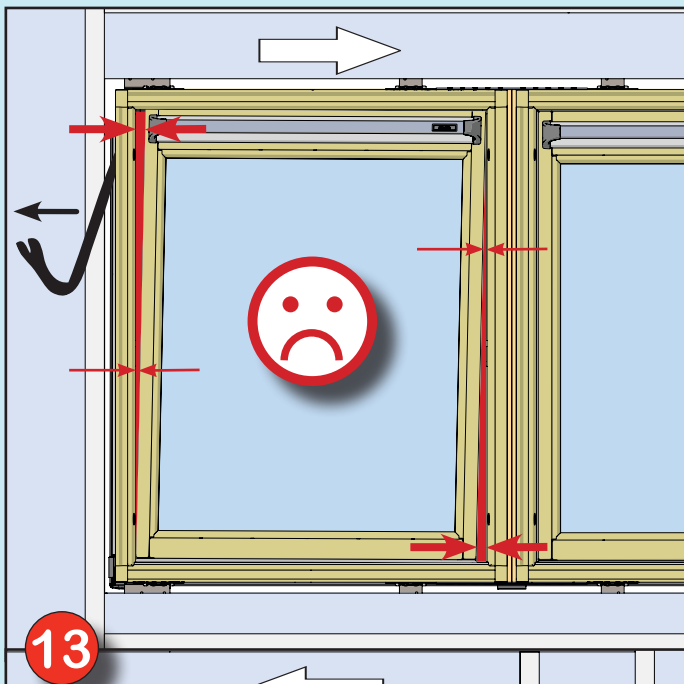
 **Z = 100mm**

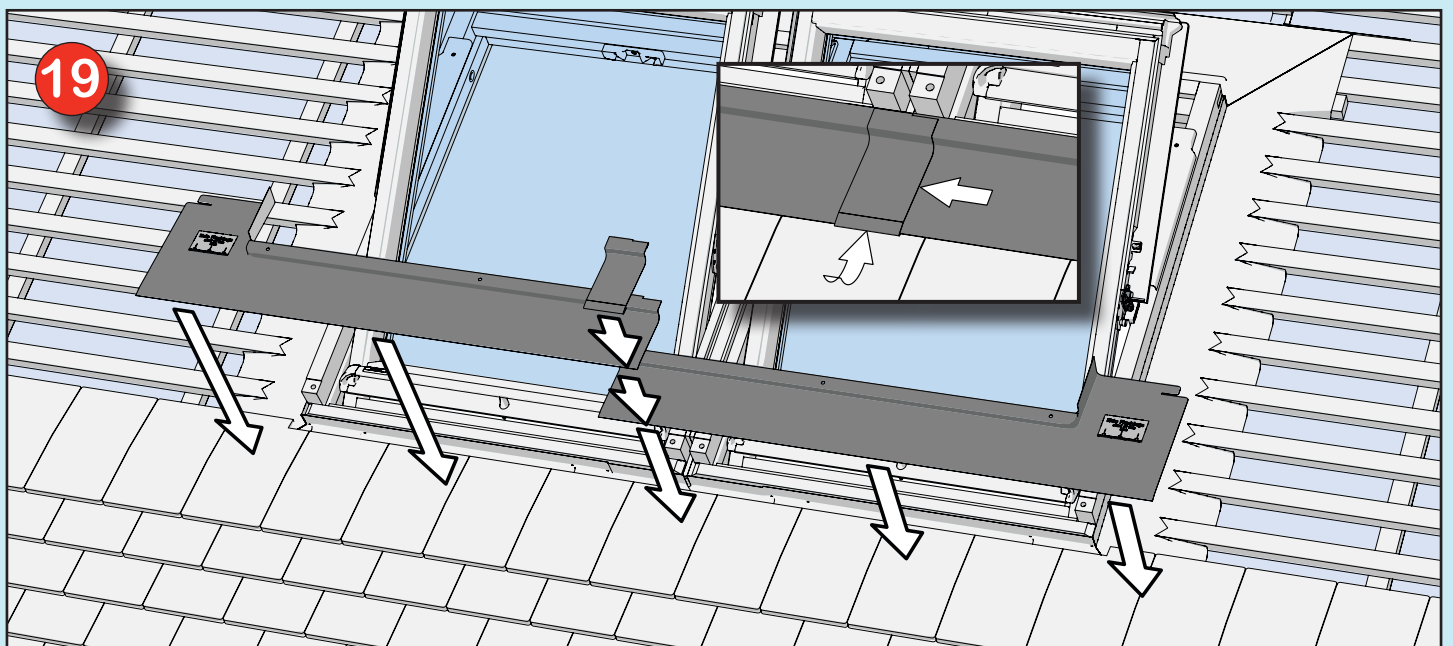
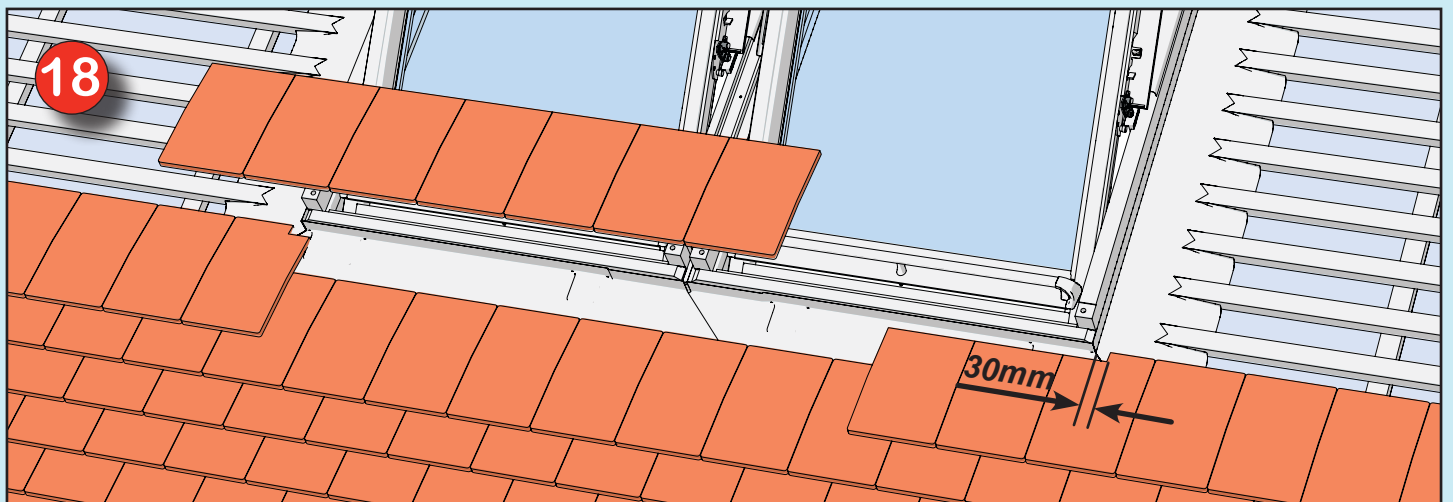
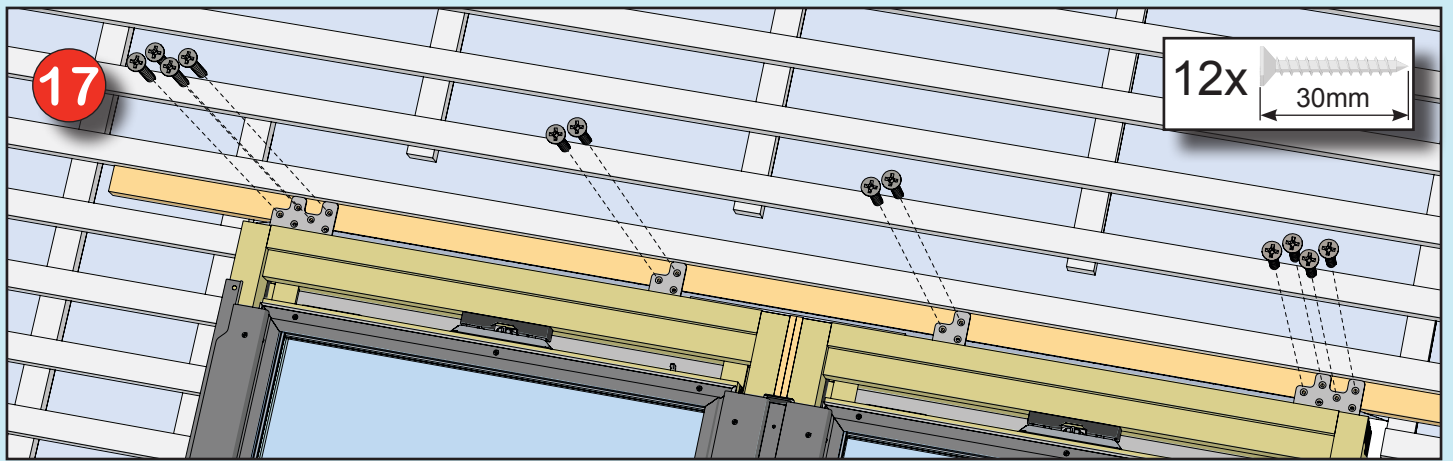


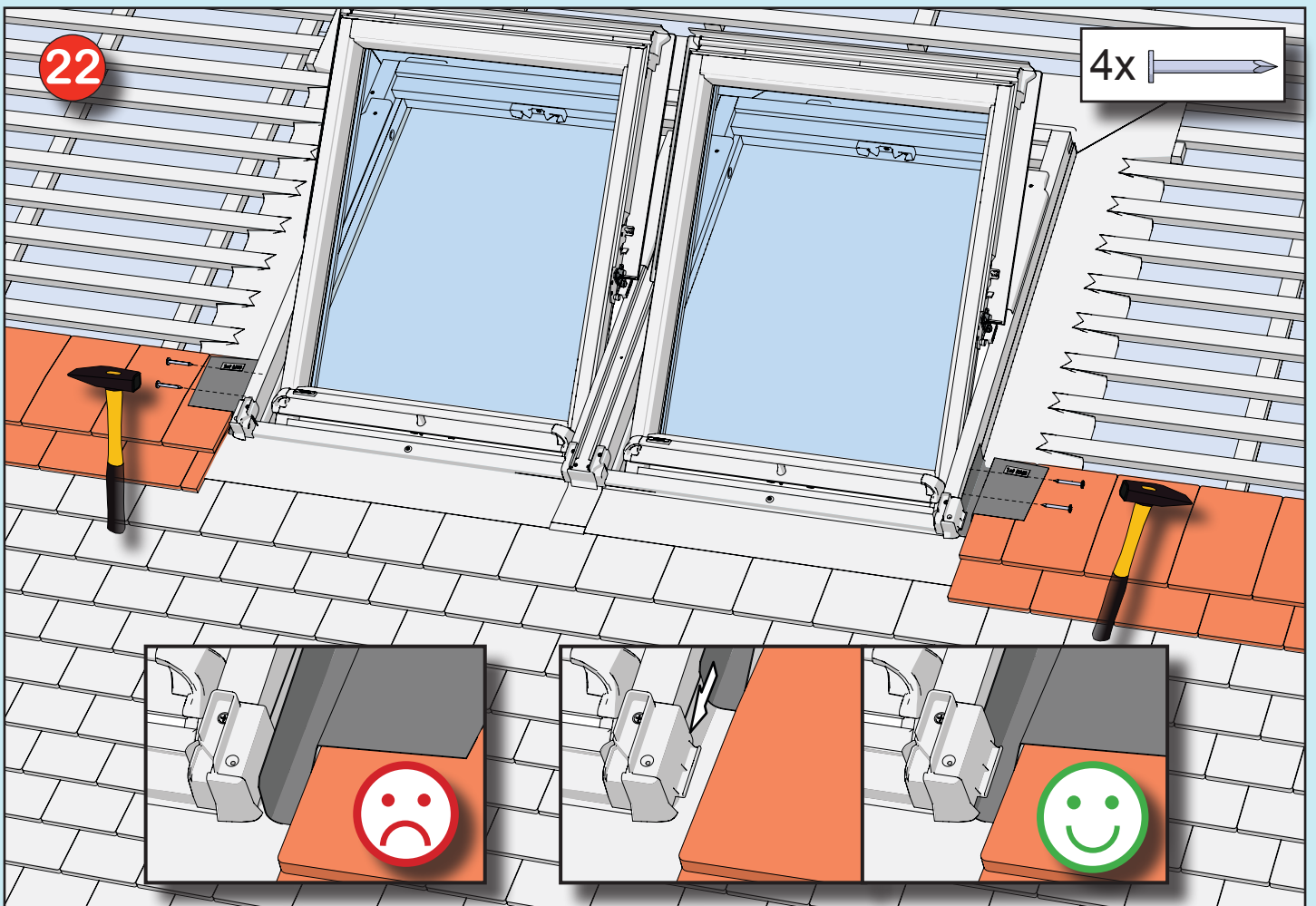
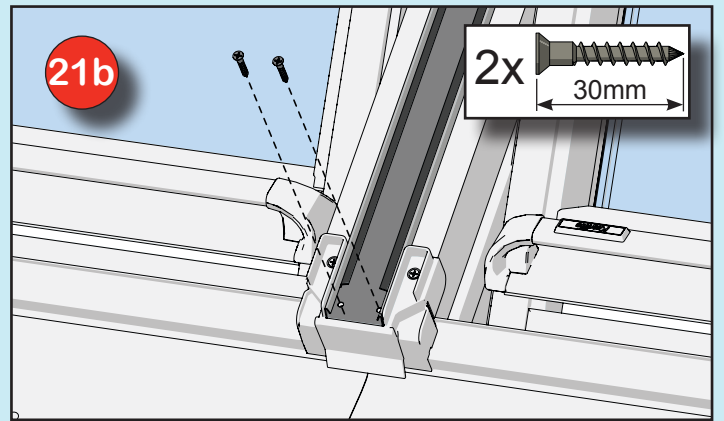
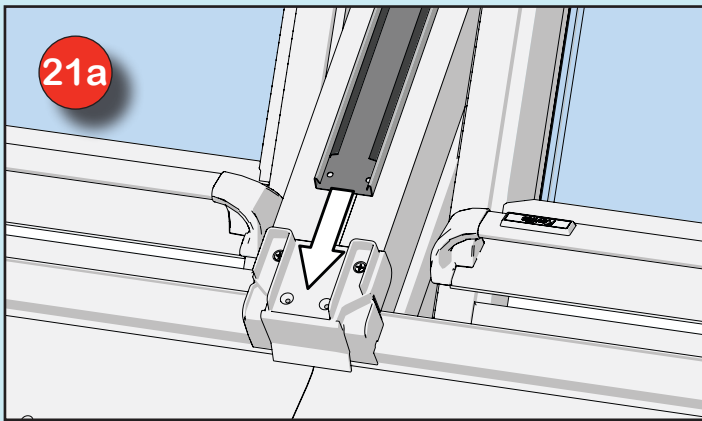
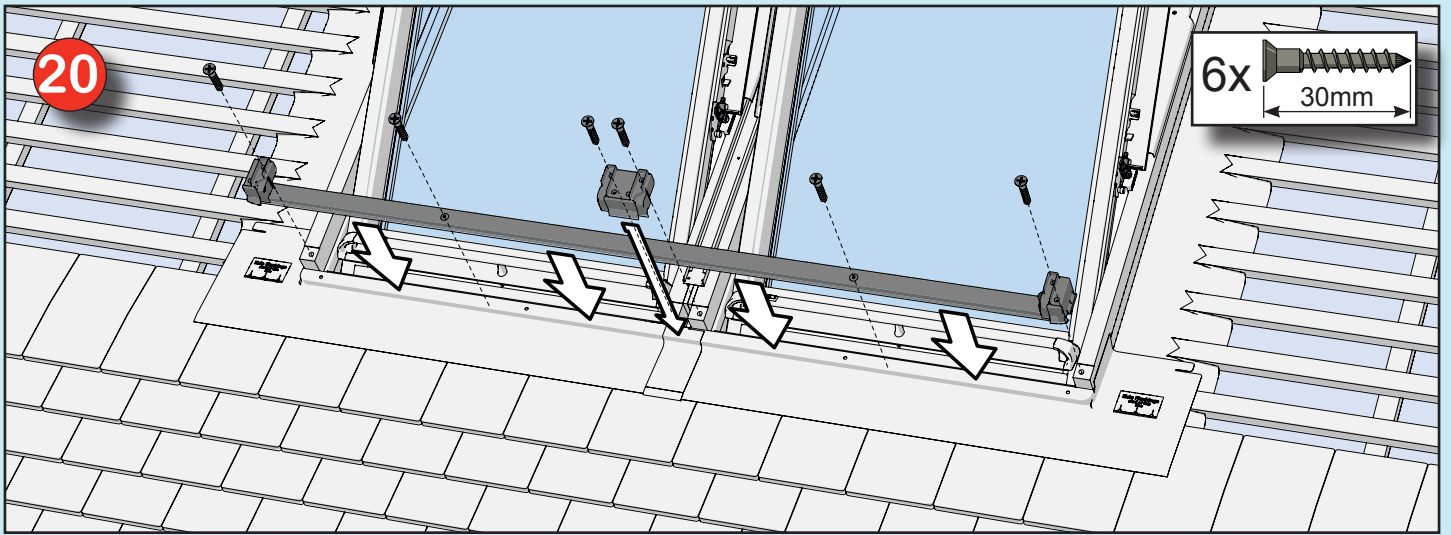


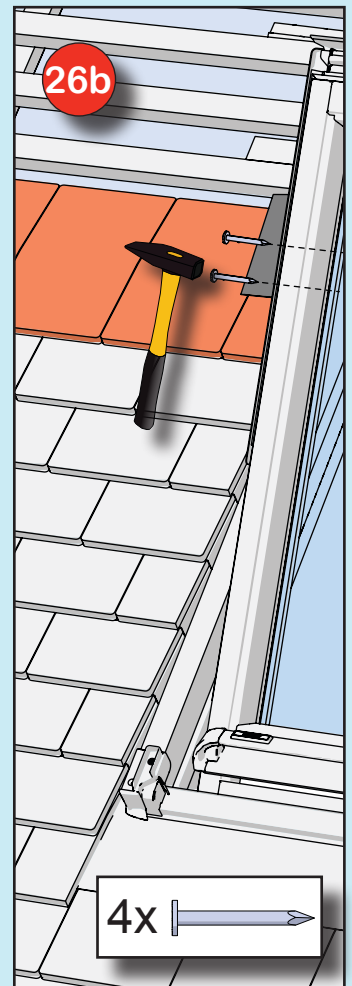
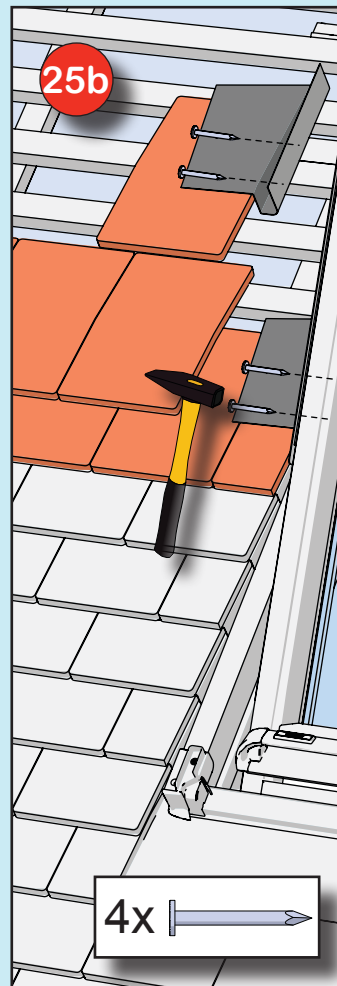
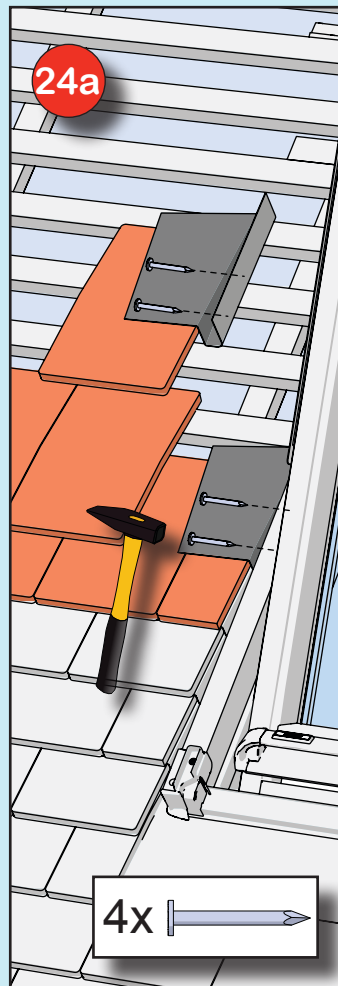
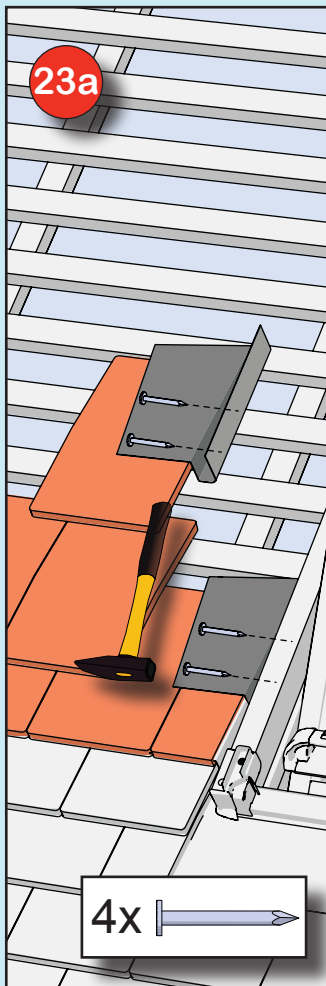
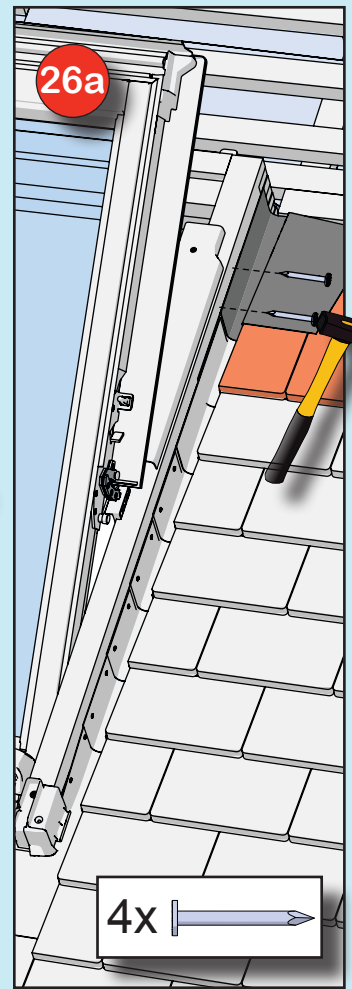
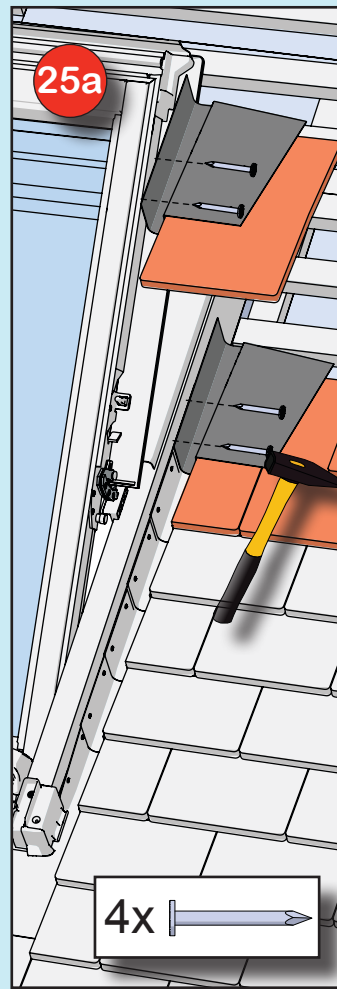
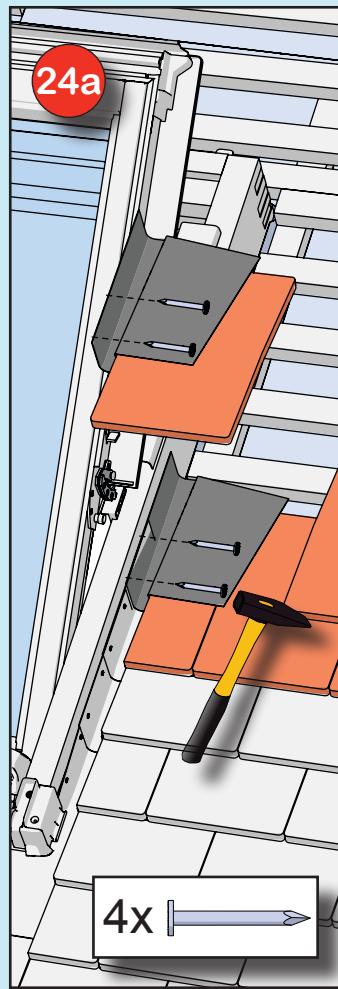
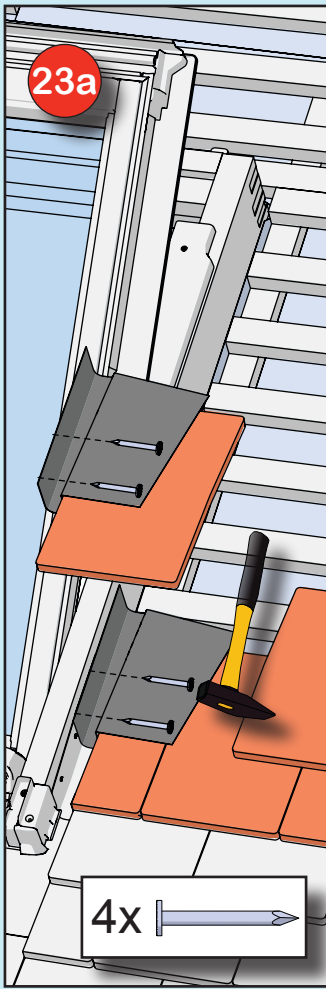


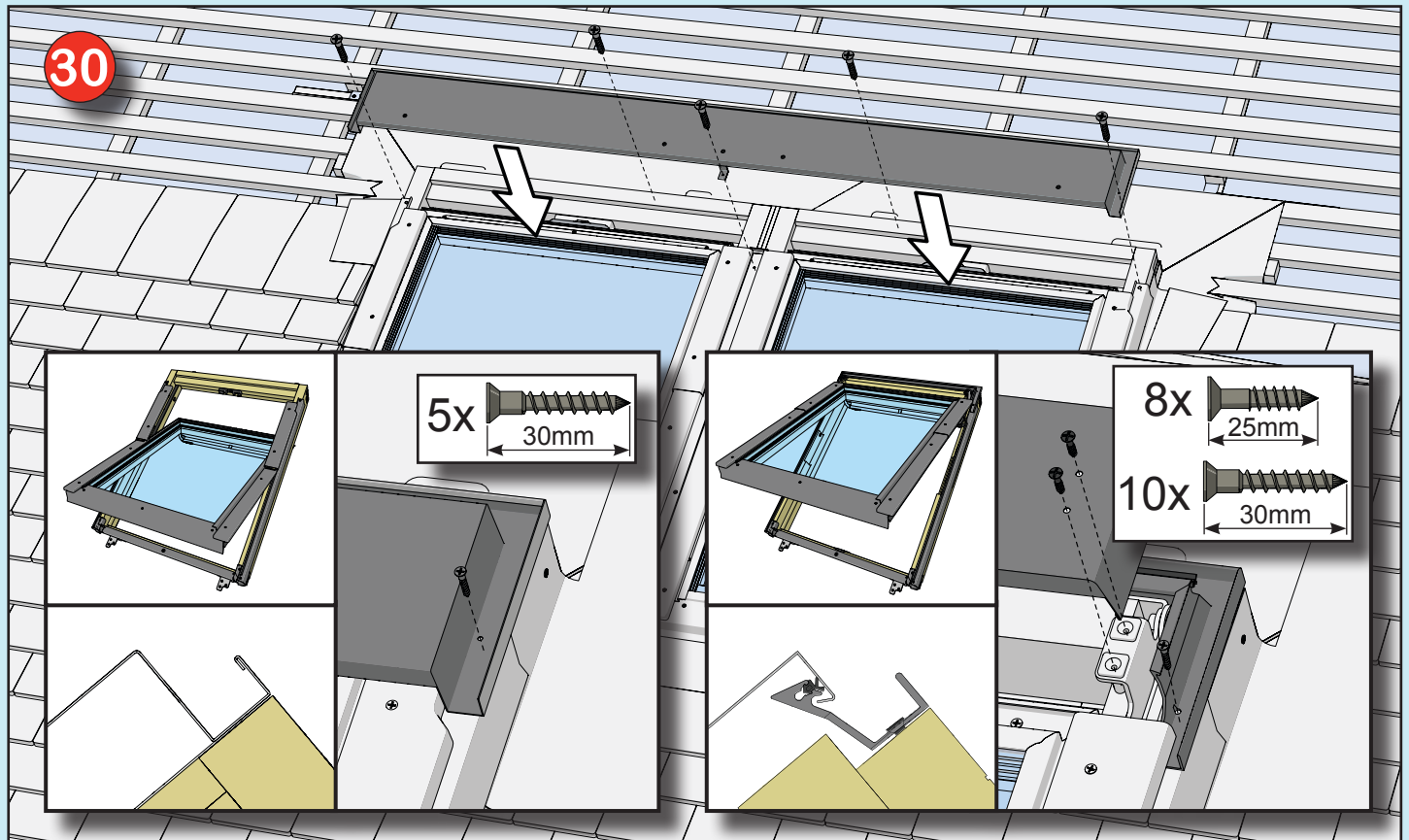
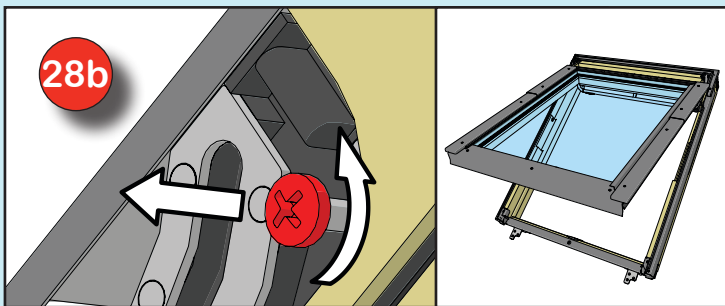
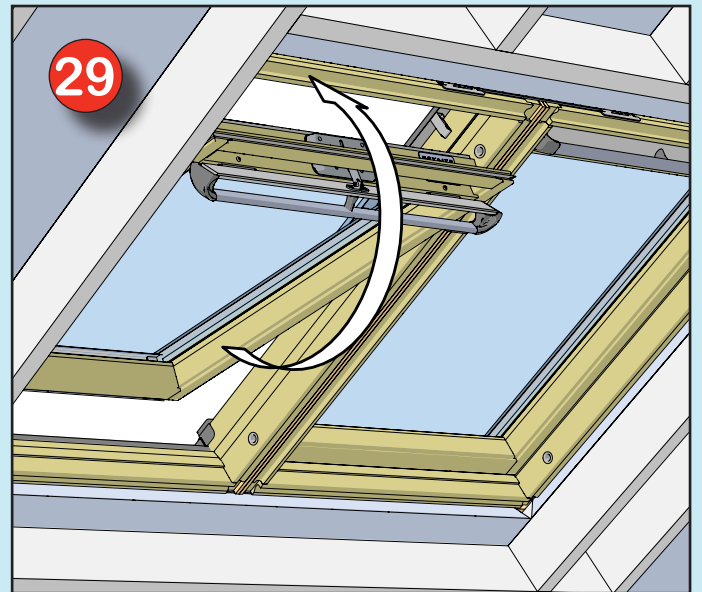
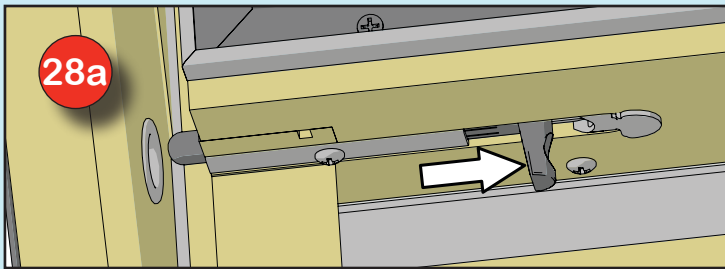
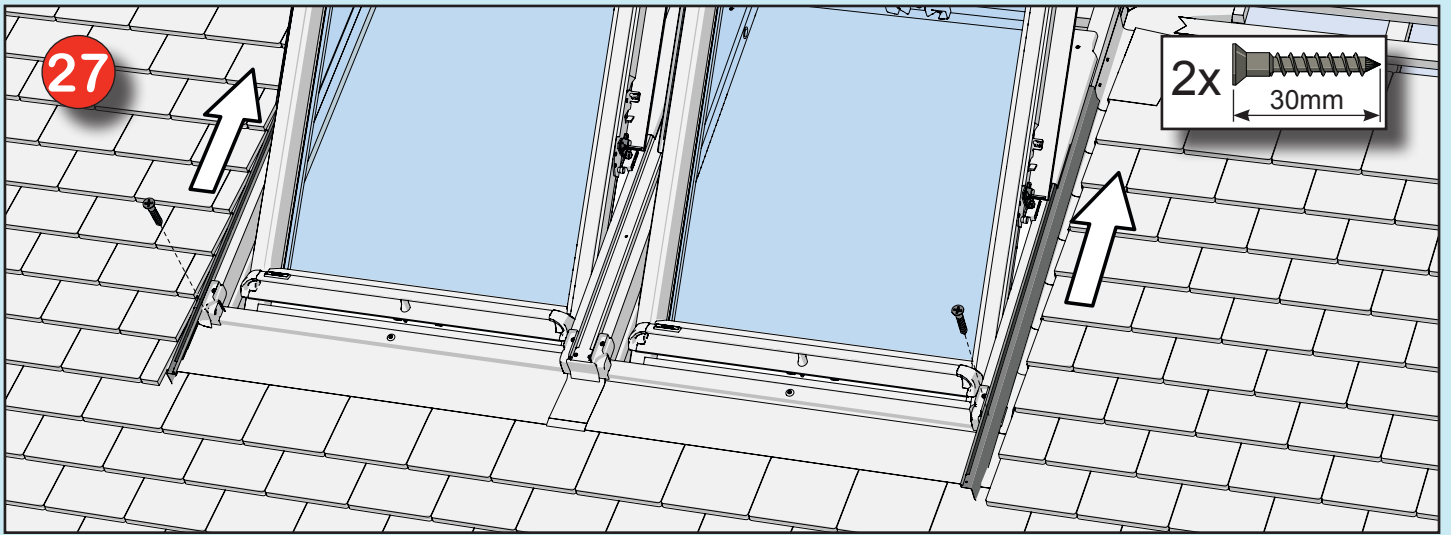


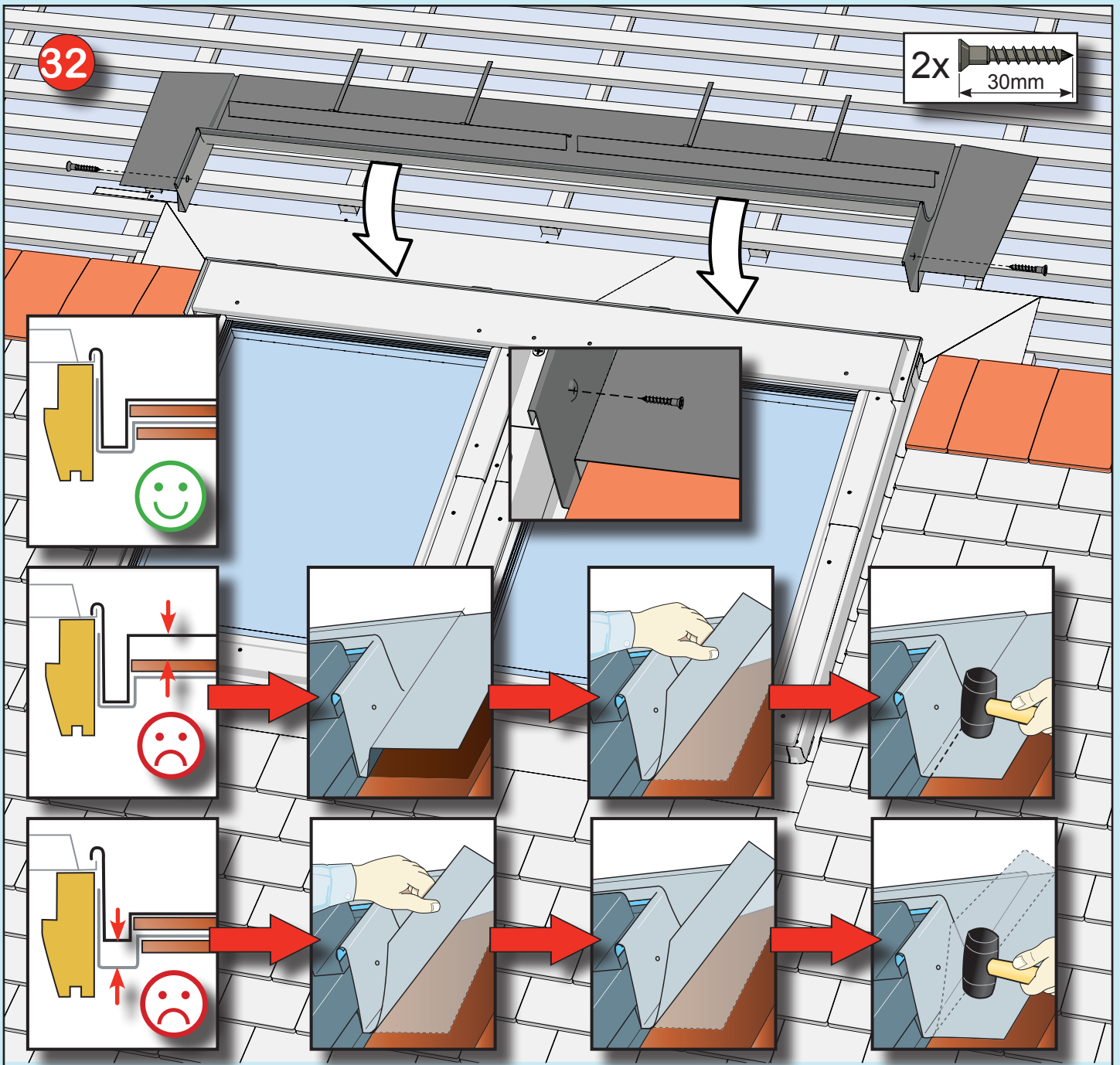
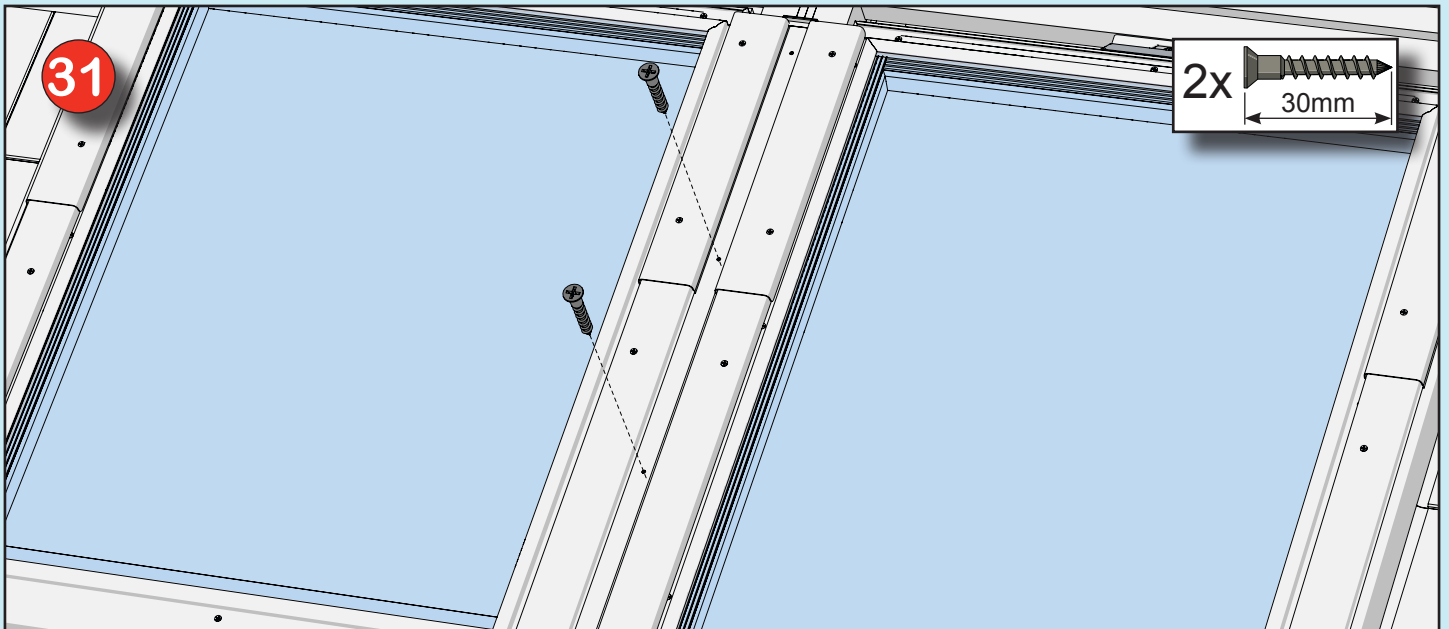




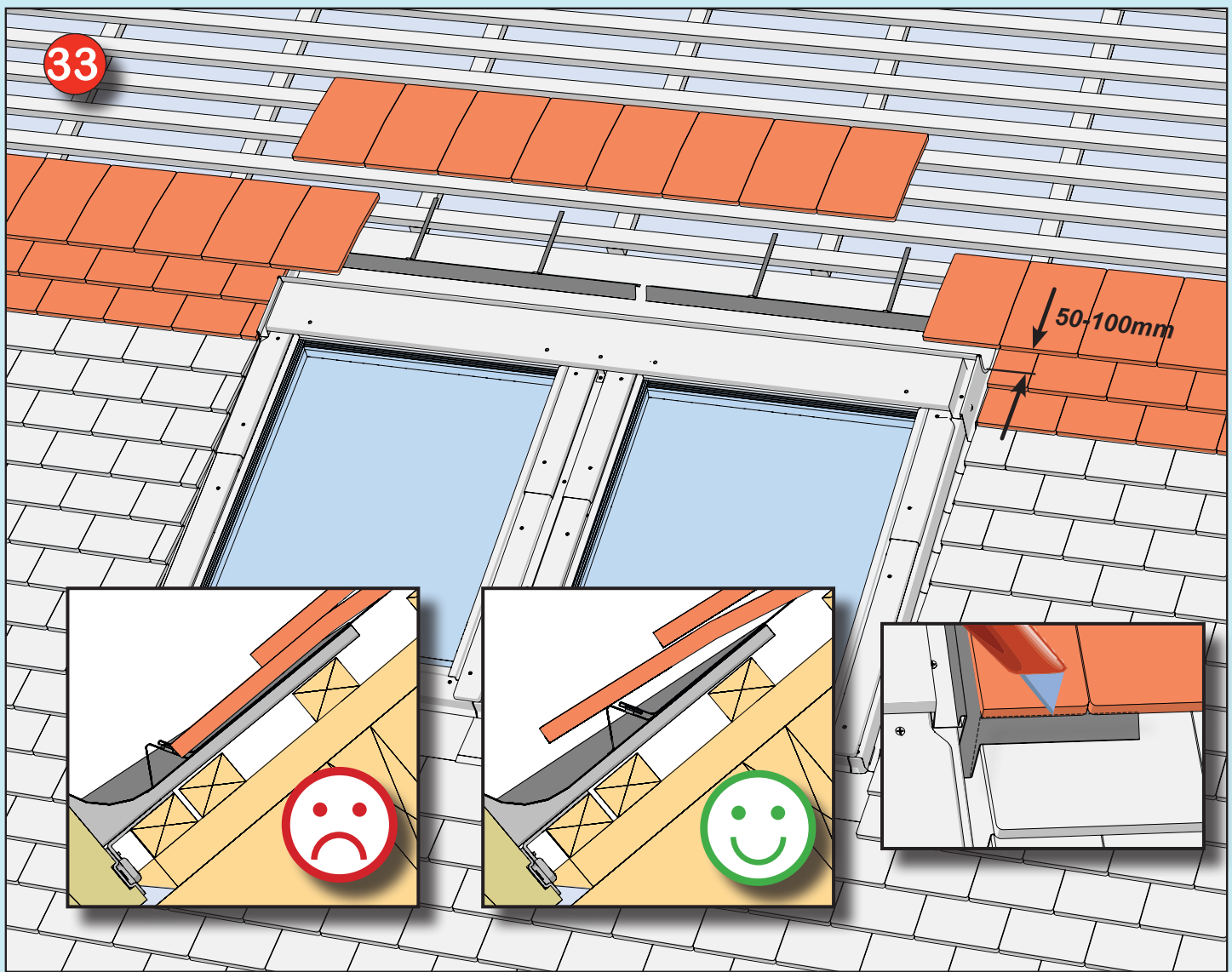








33



34

