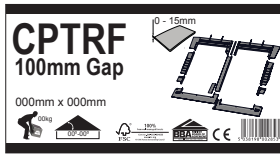
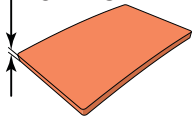
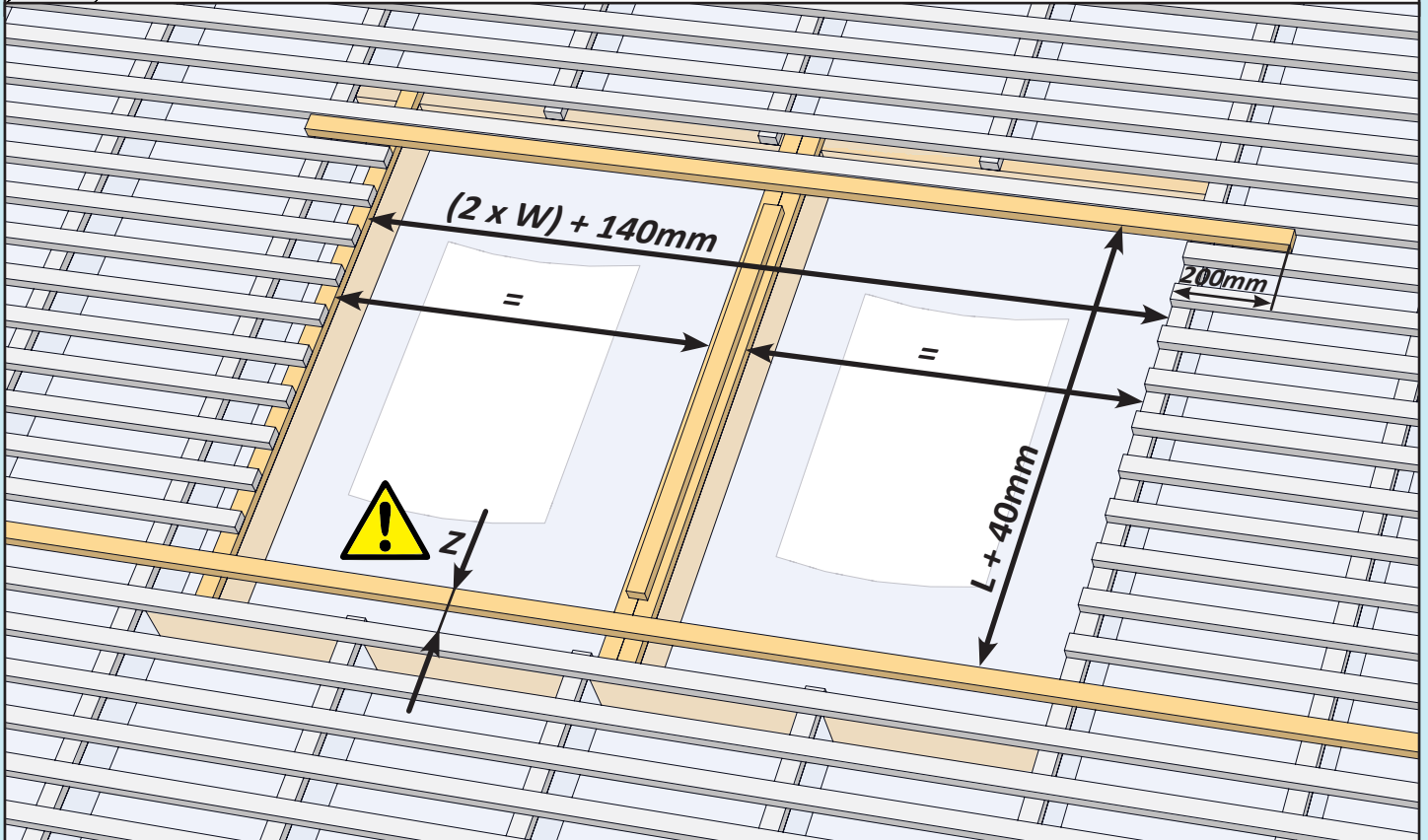
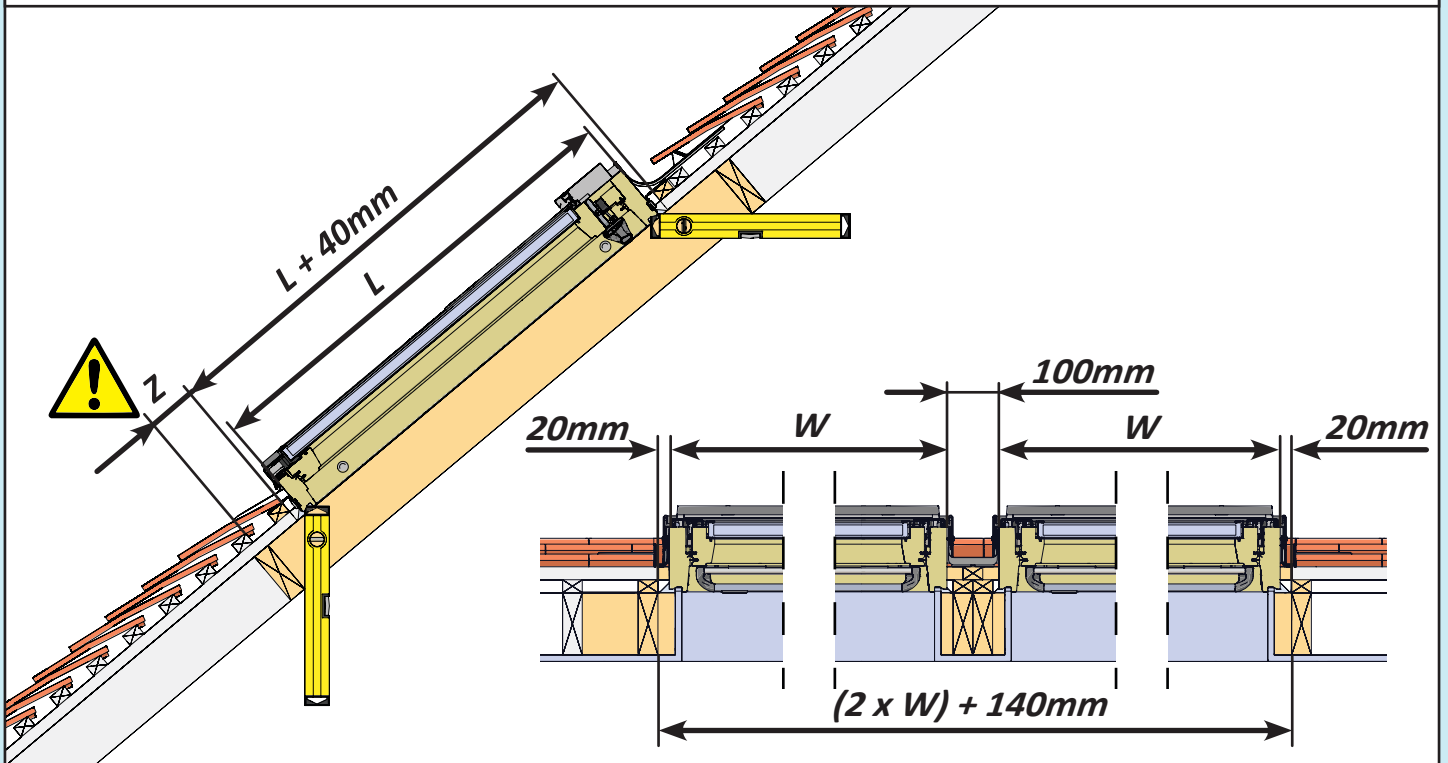
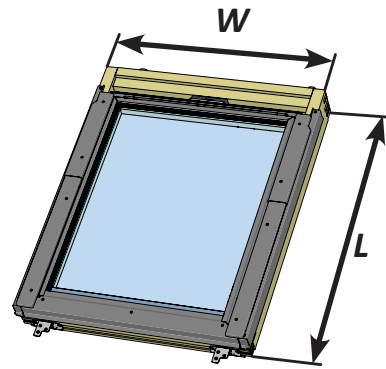
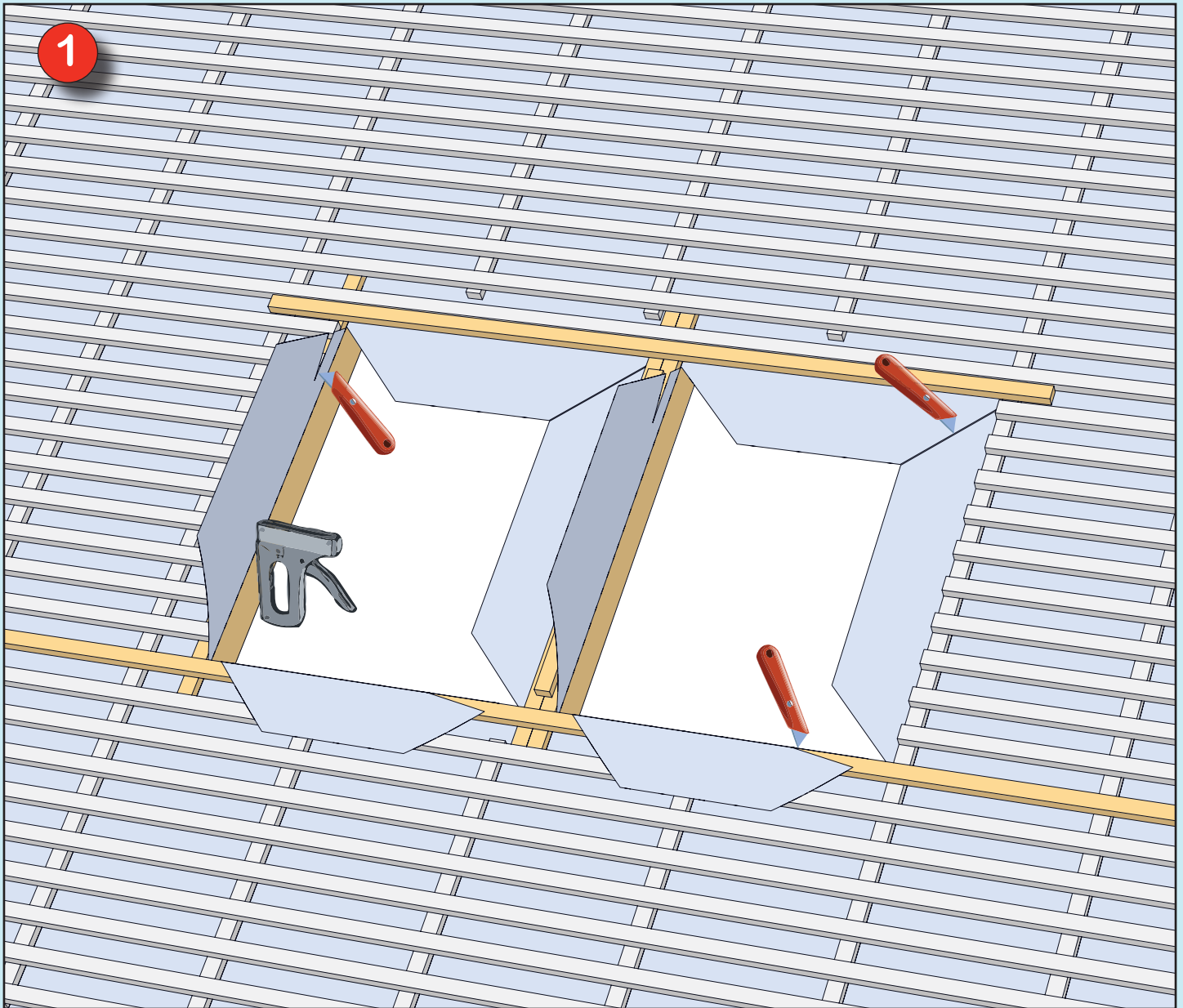
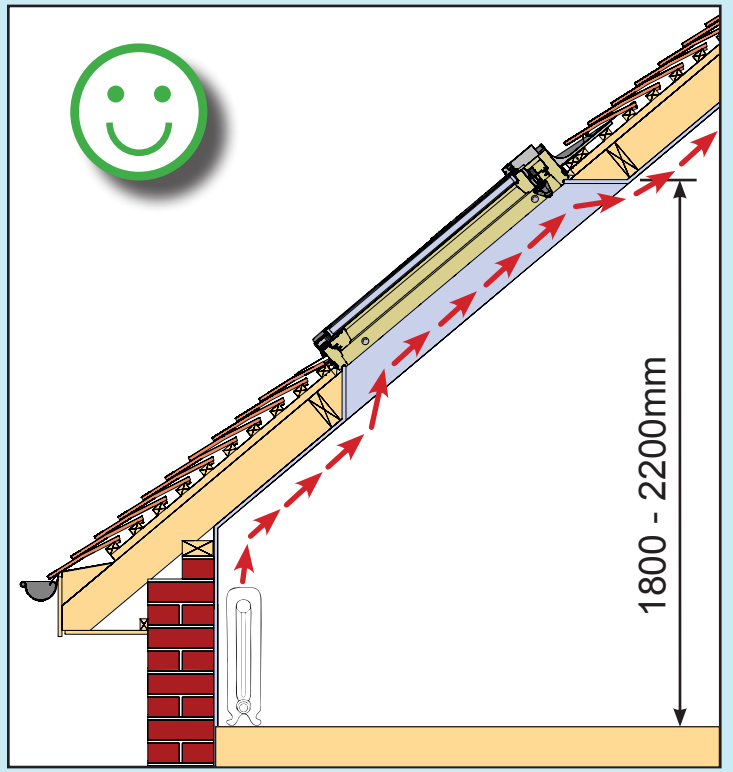
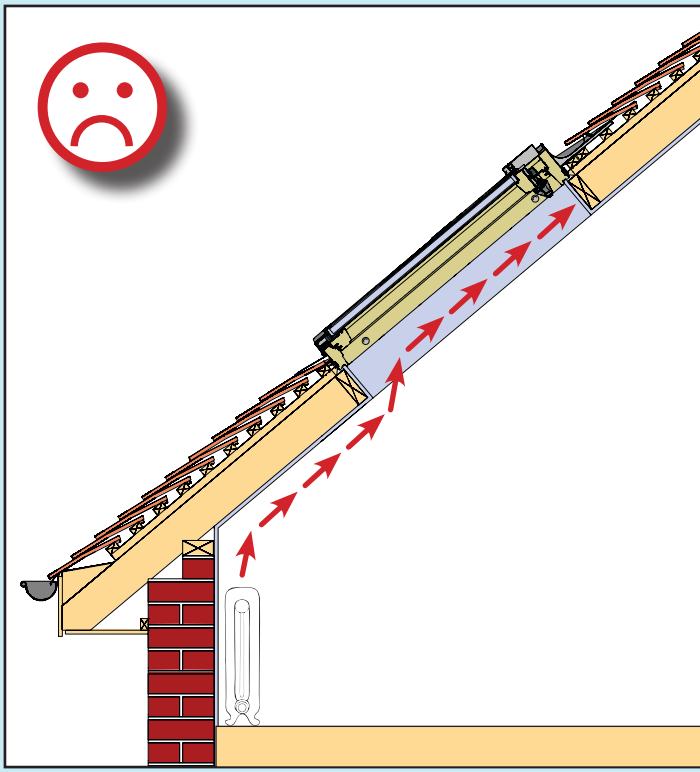


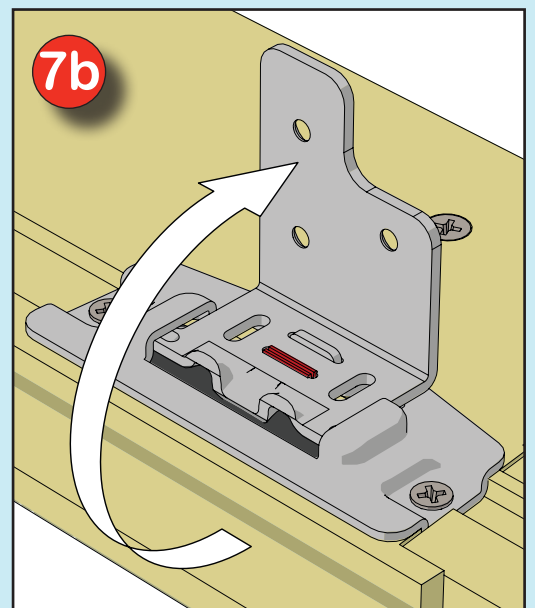
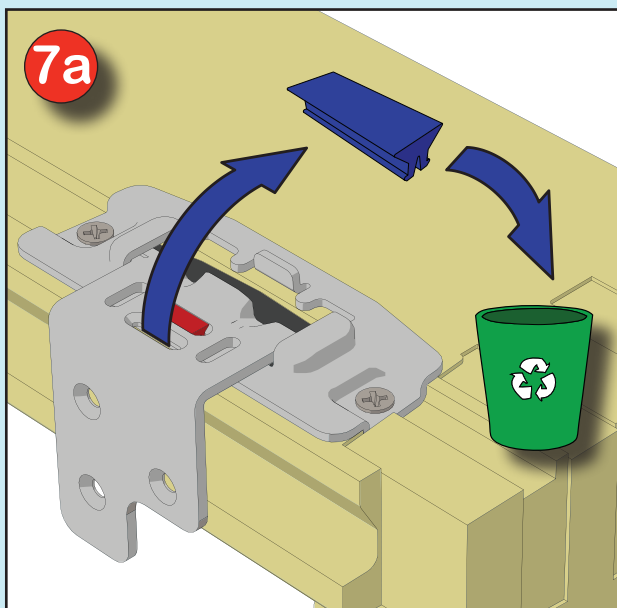
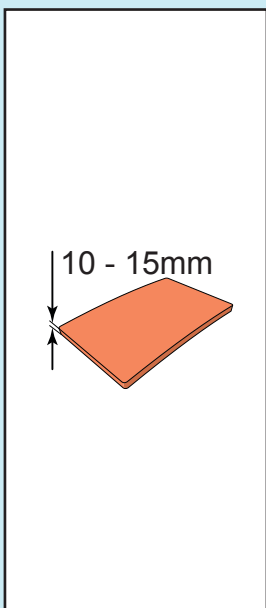
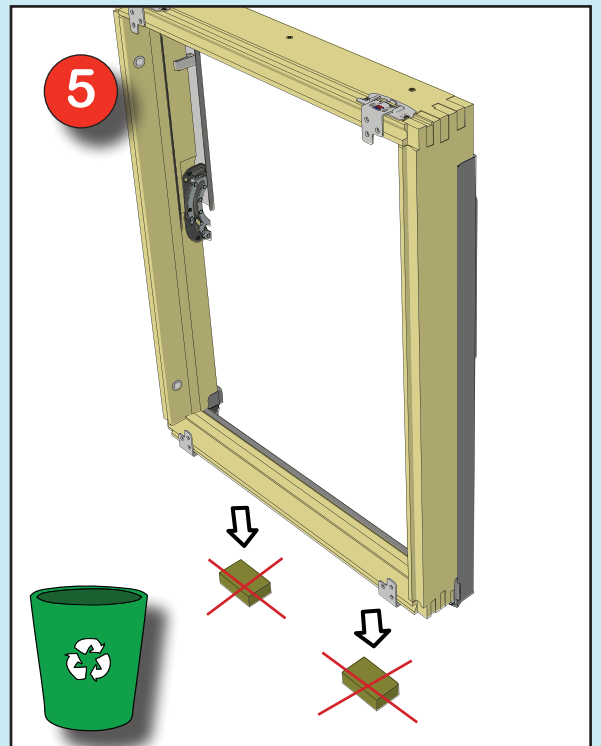
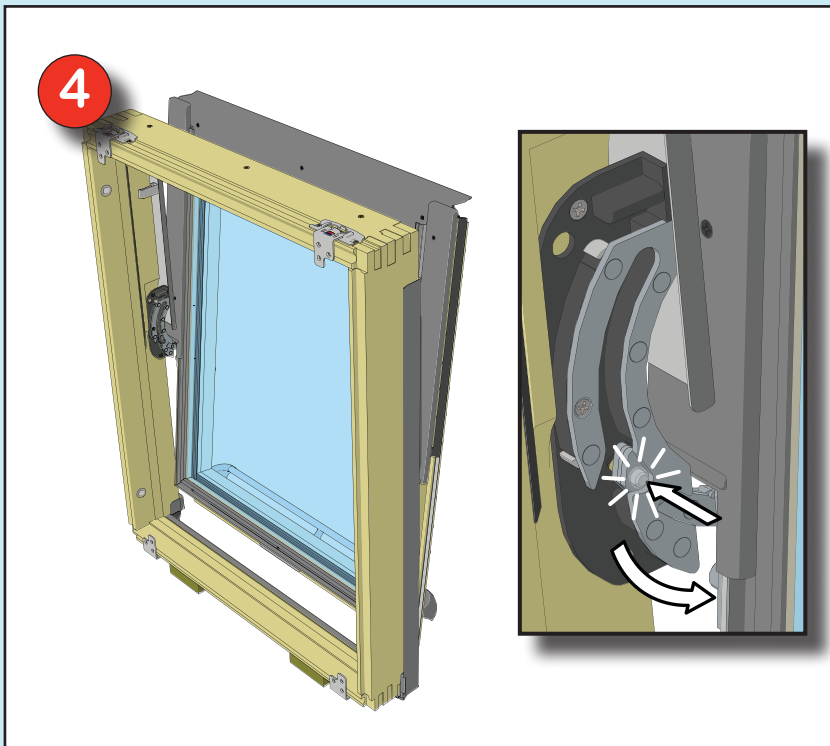
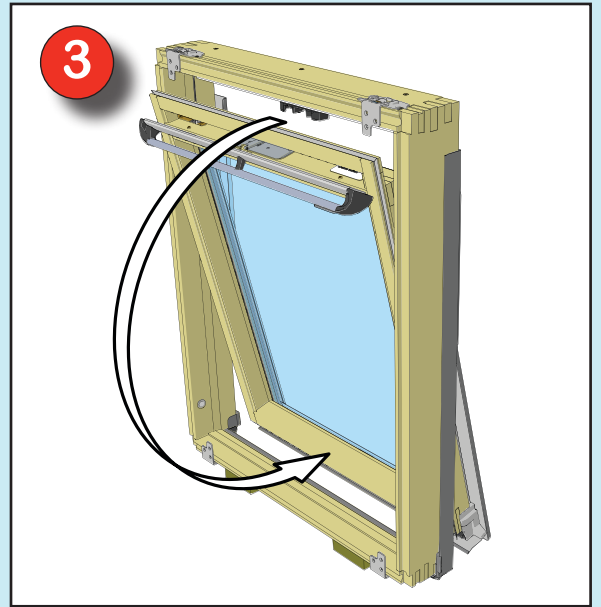
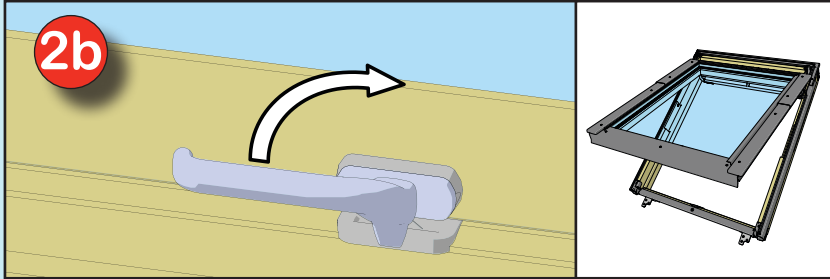
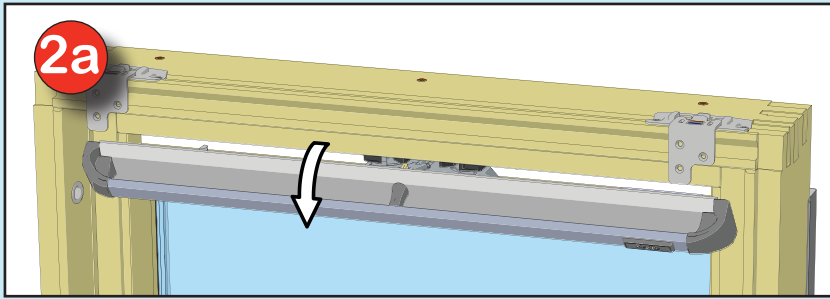
10 - 15mm

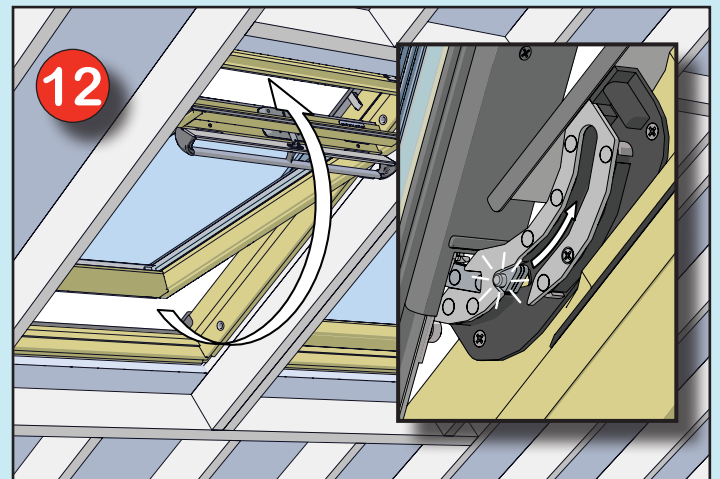
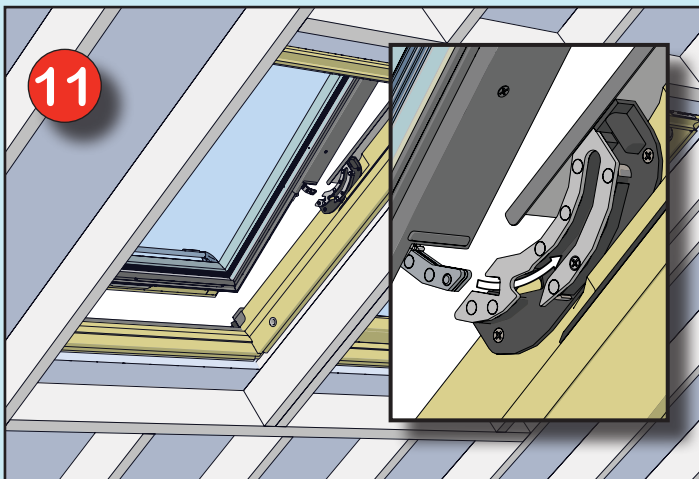
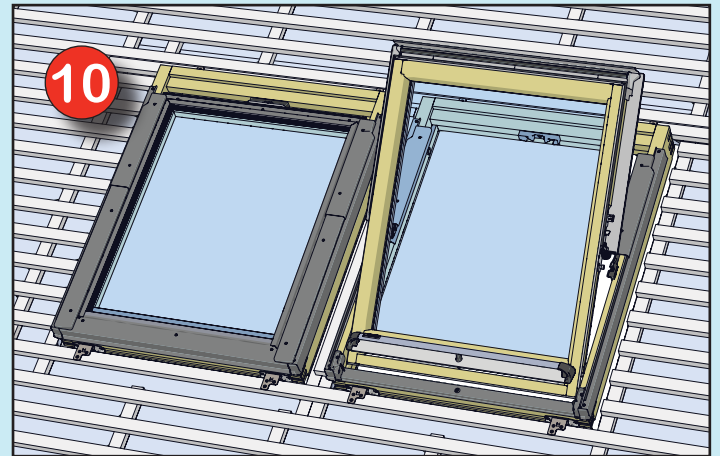
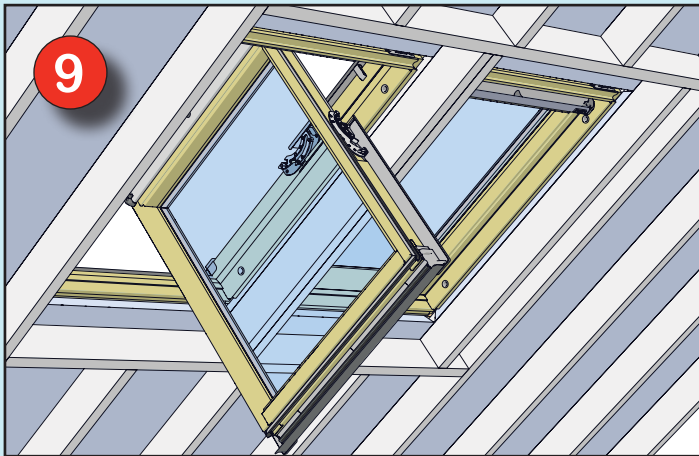
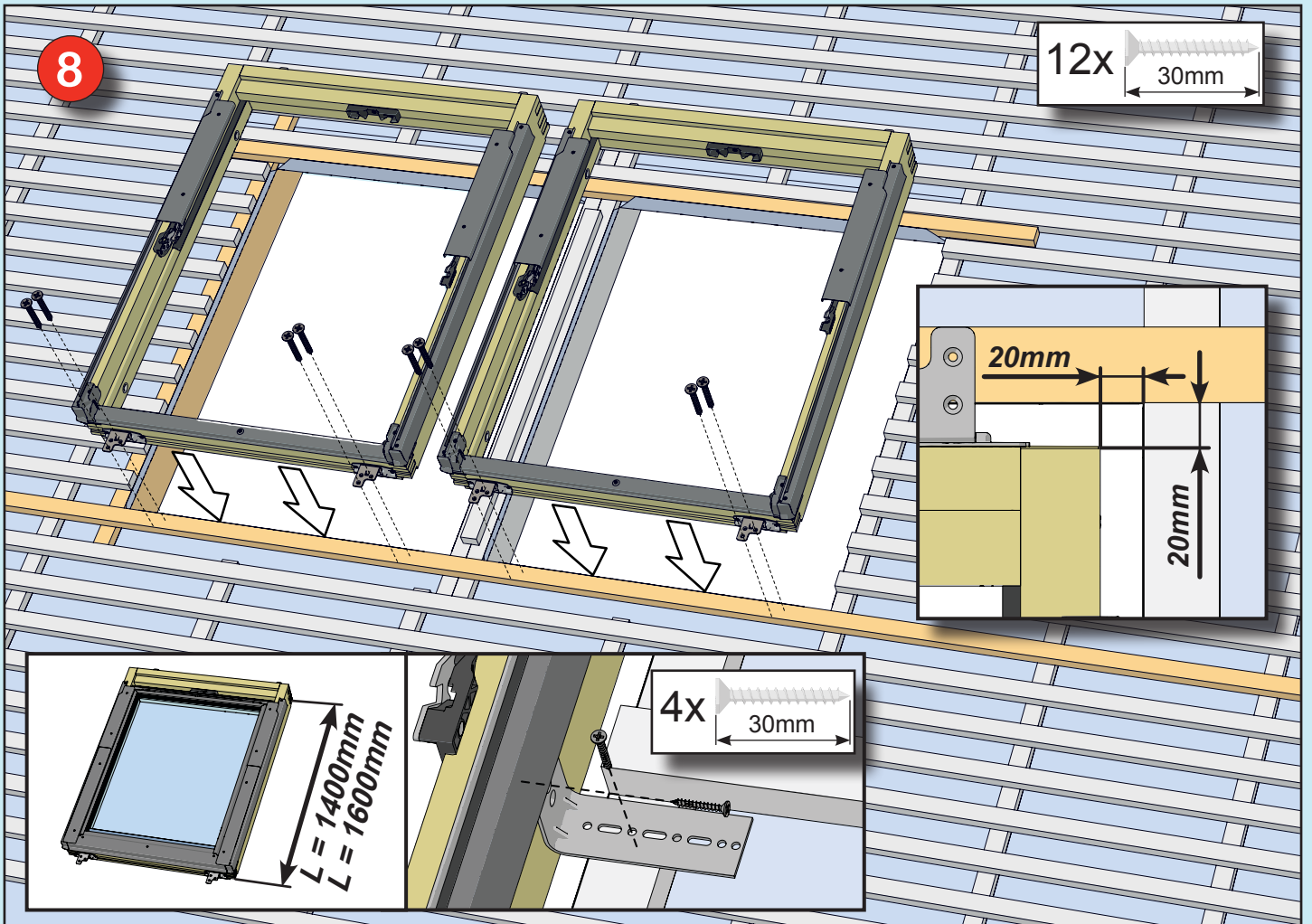


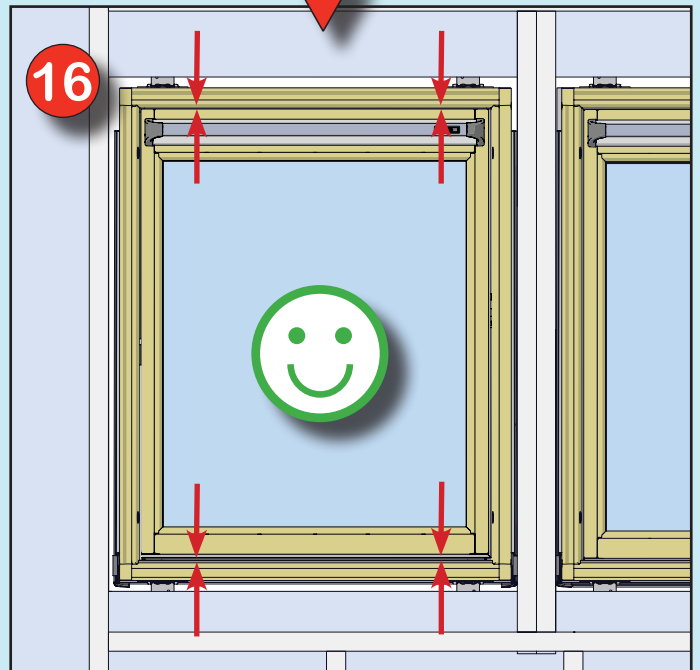
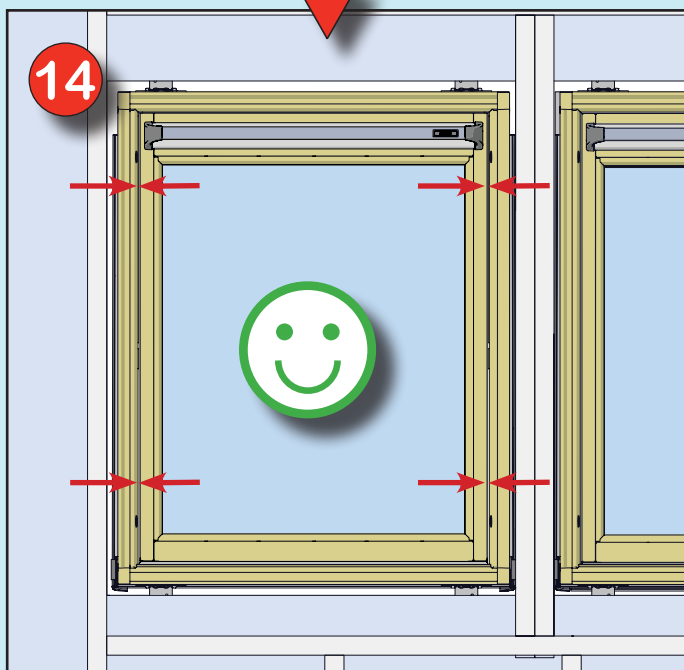
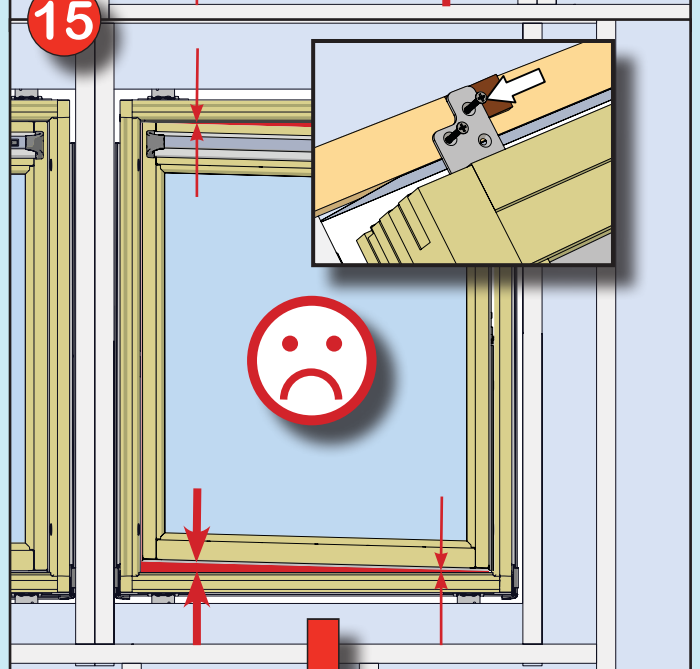
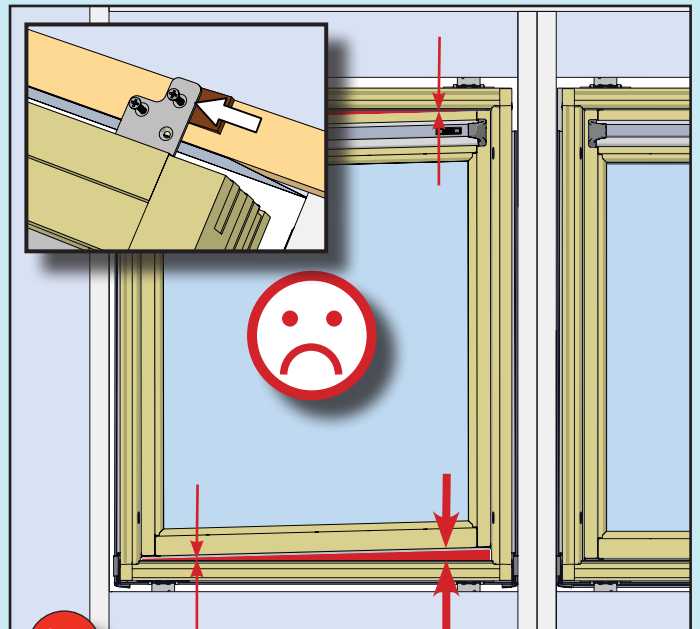
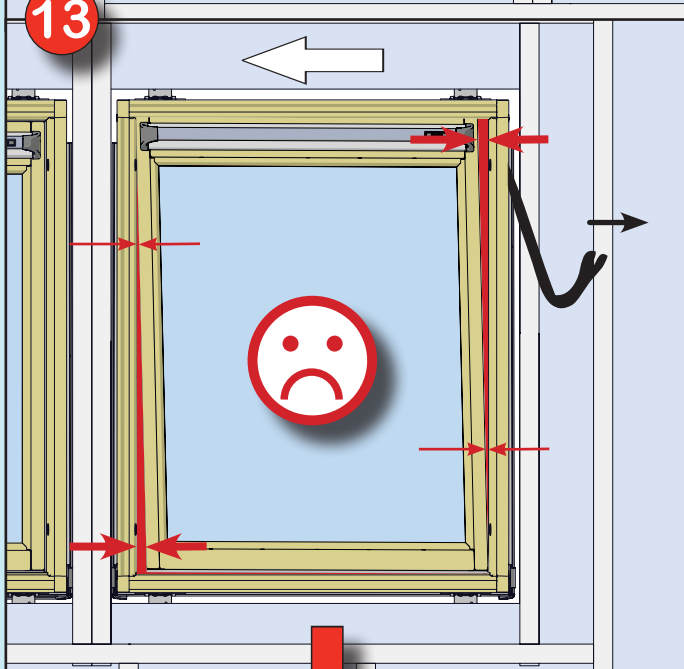
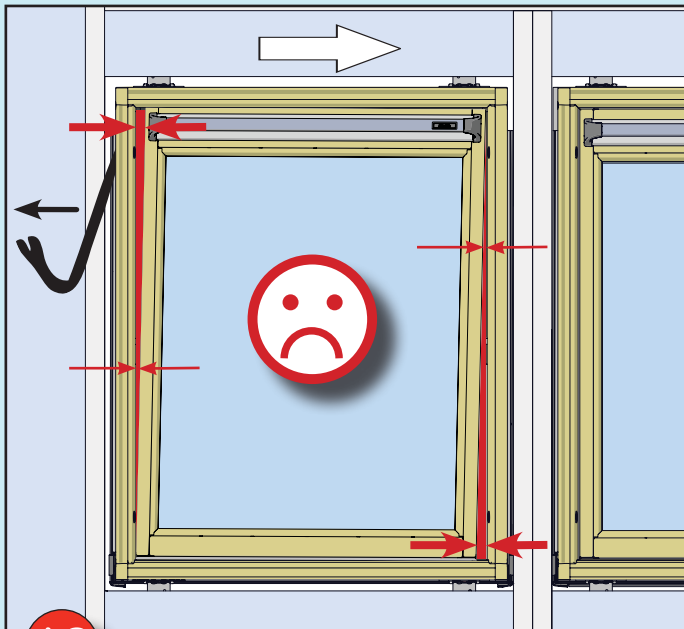
Z = 100mm

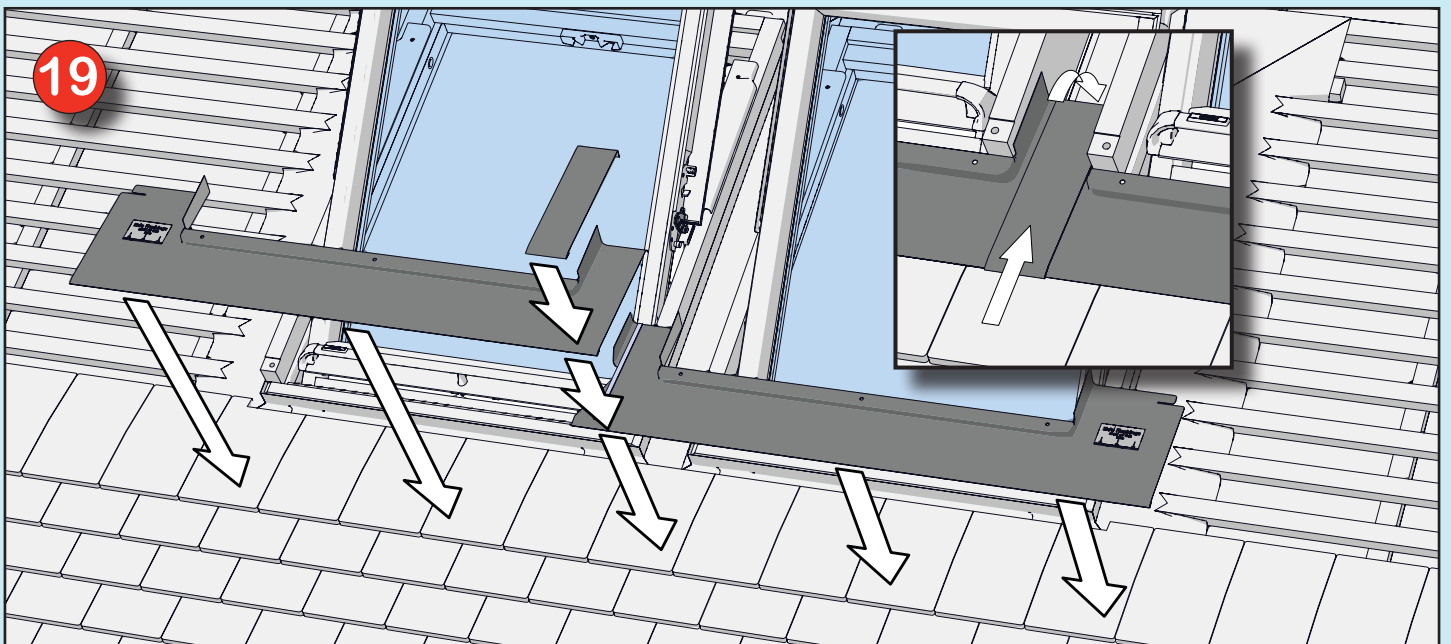
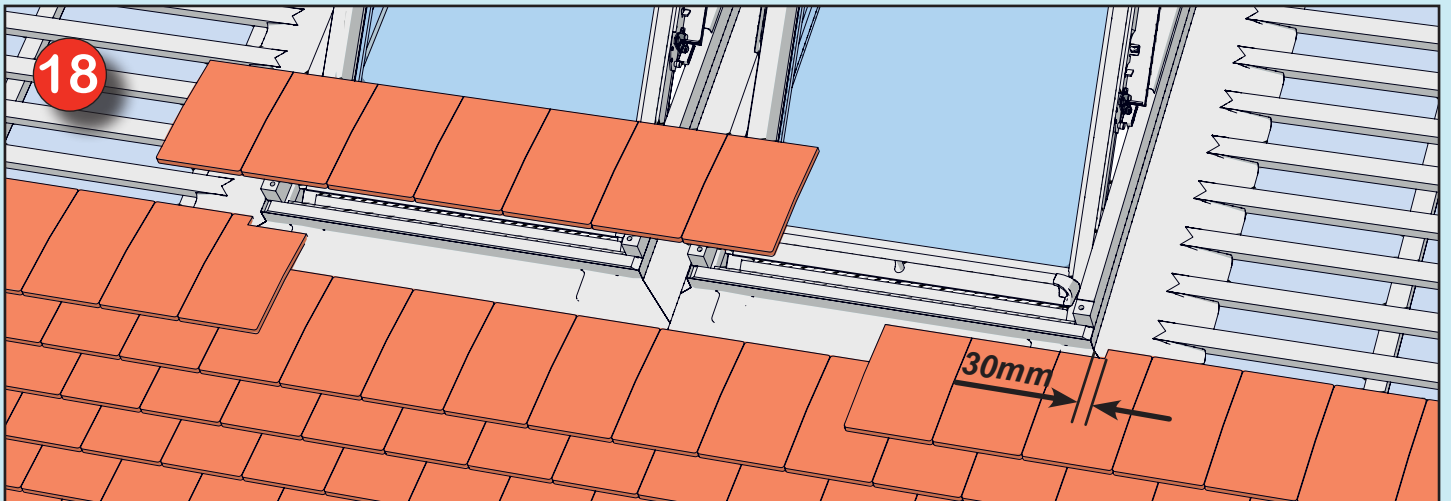
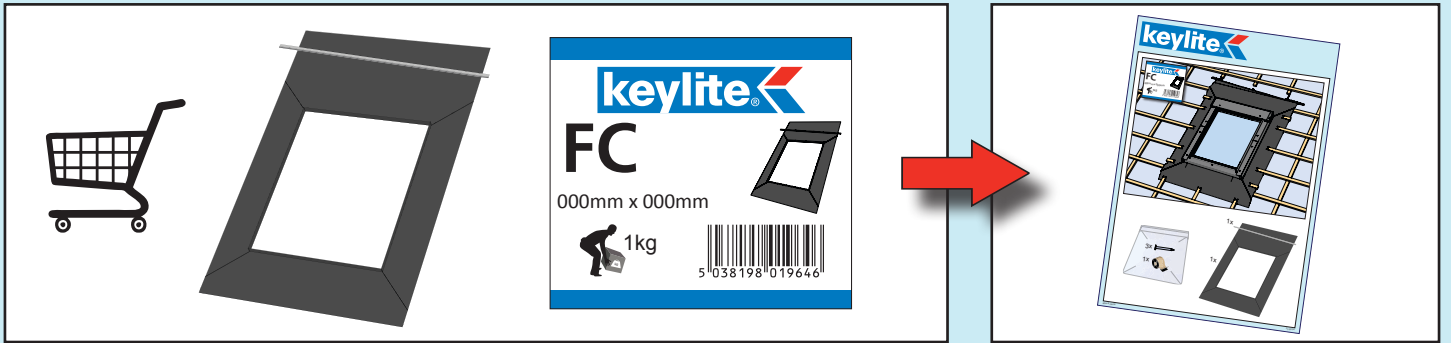
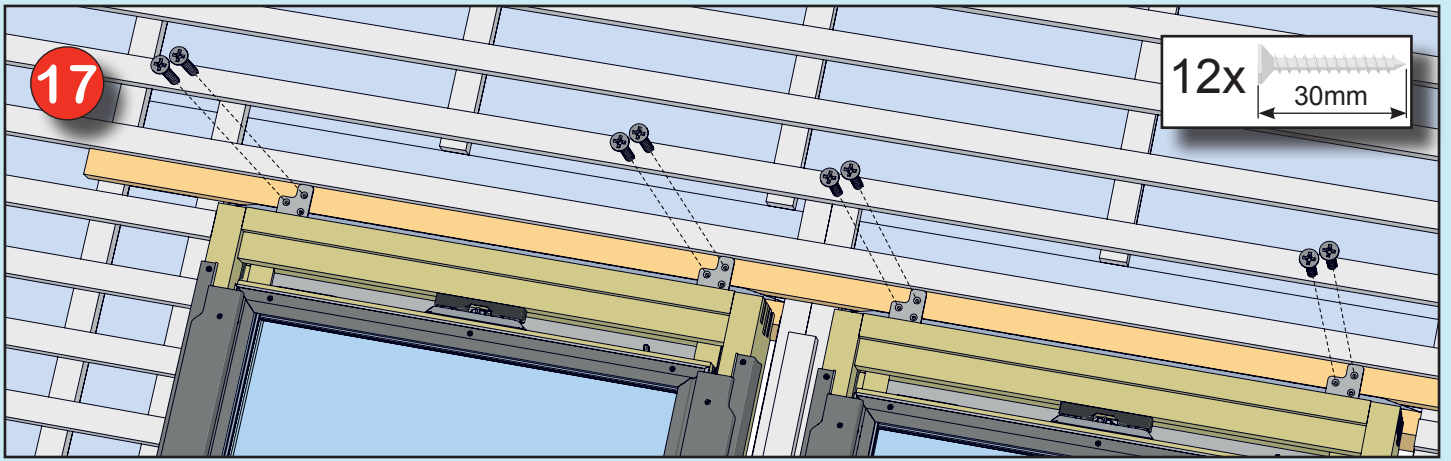


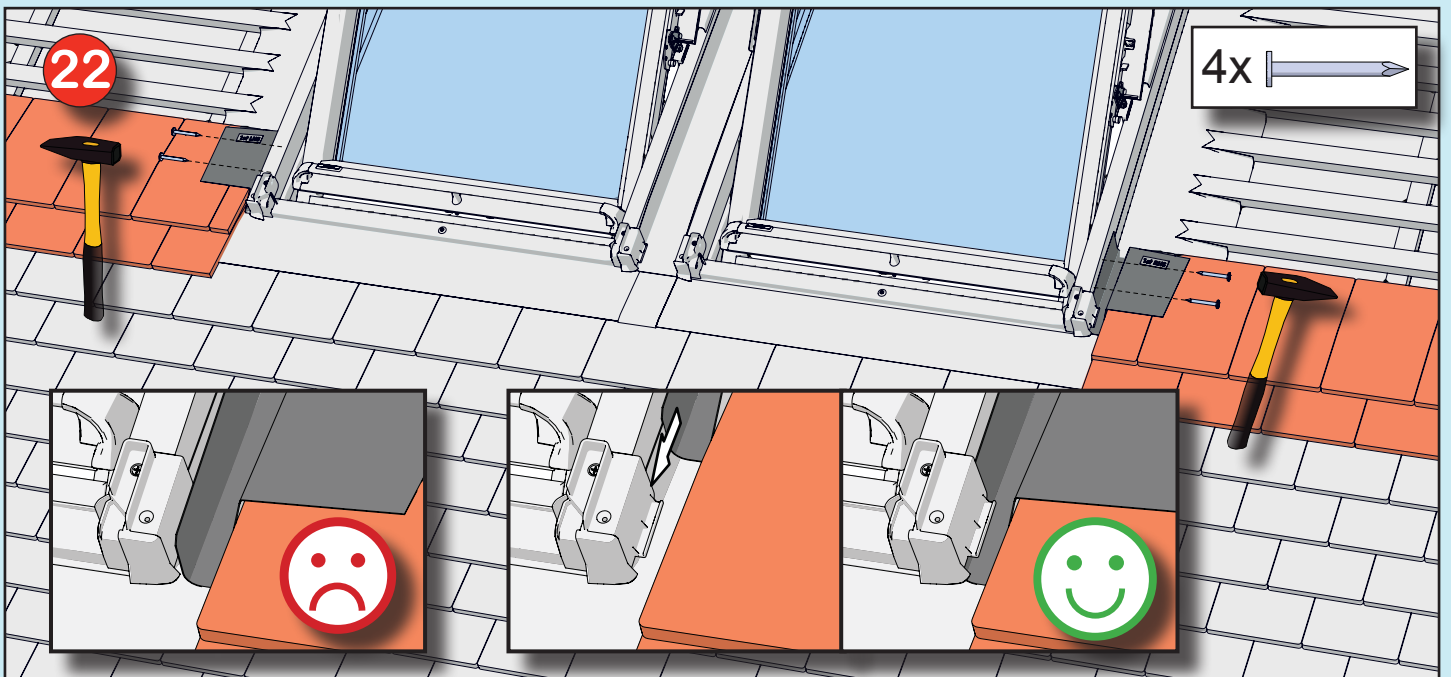
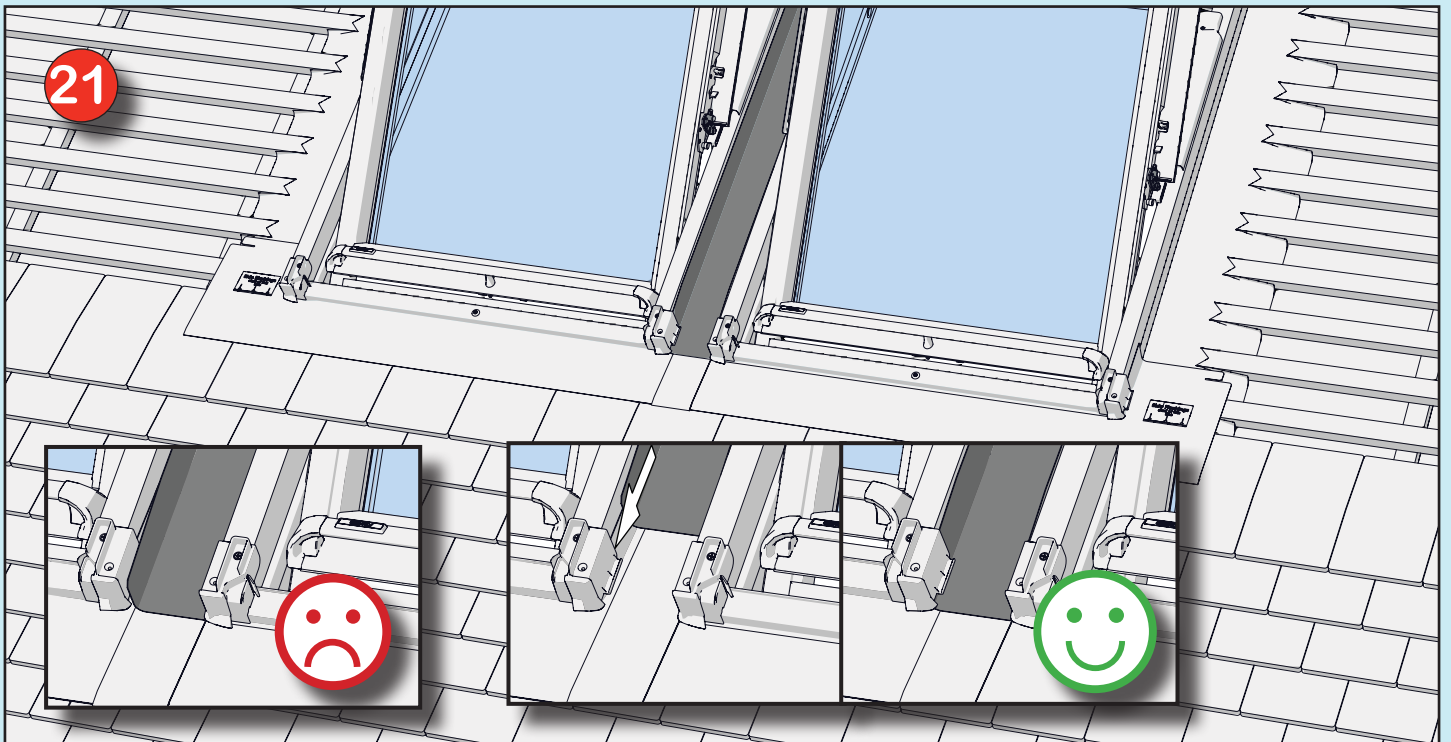
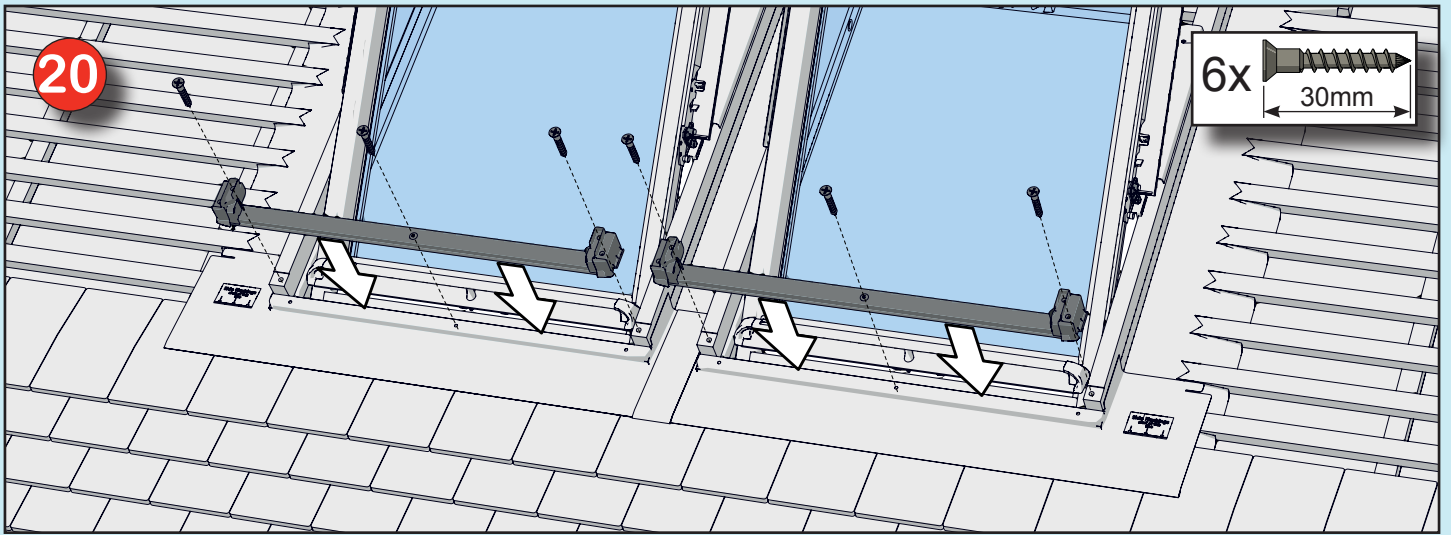




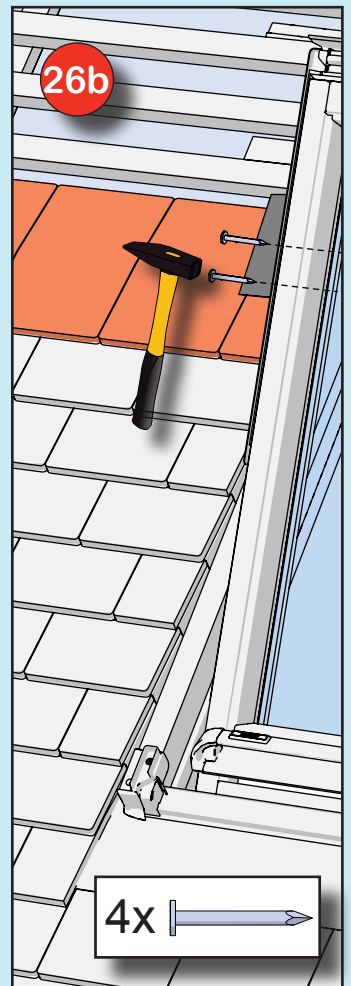
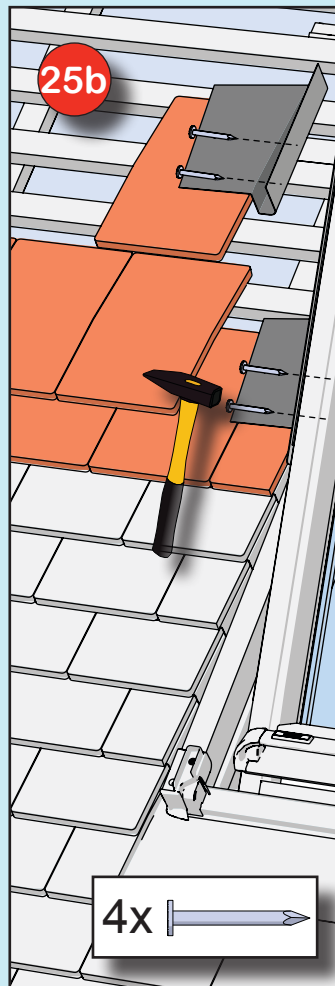
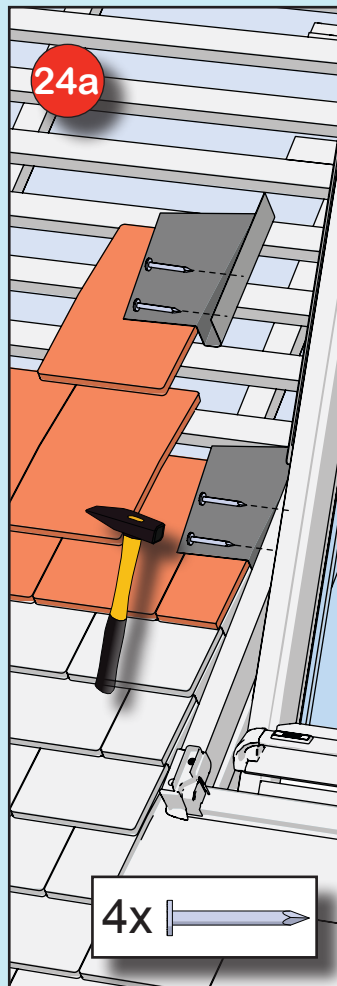
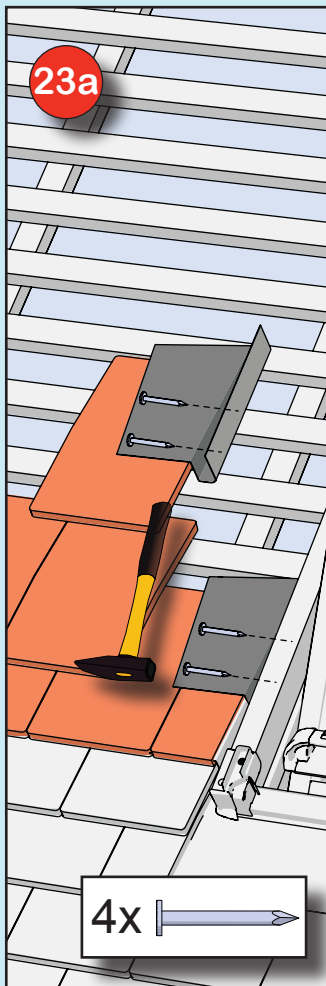
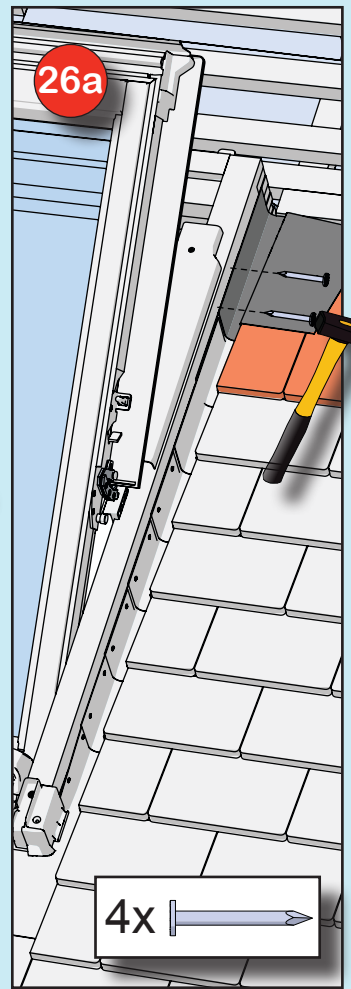
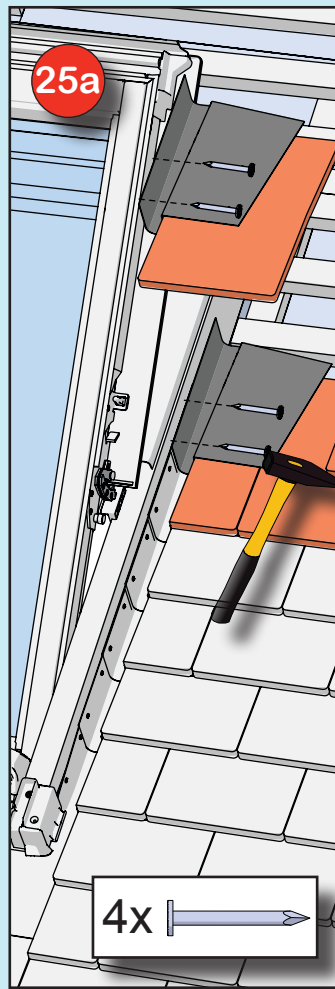
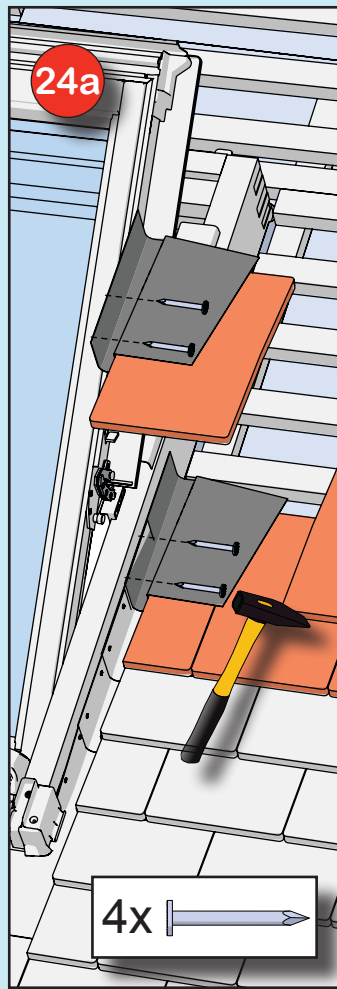
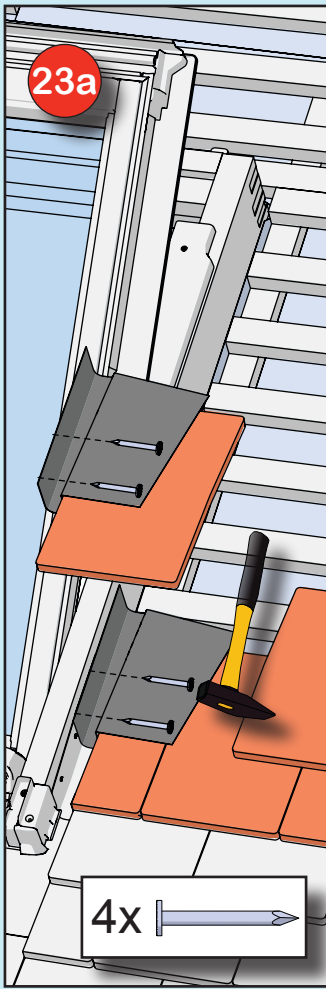


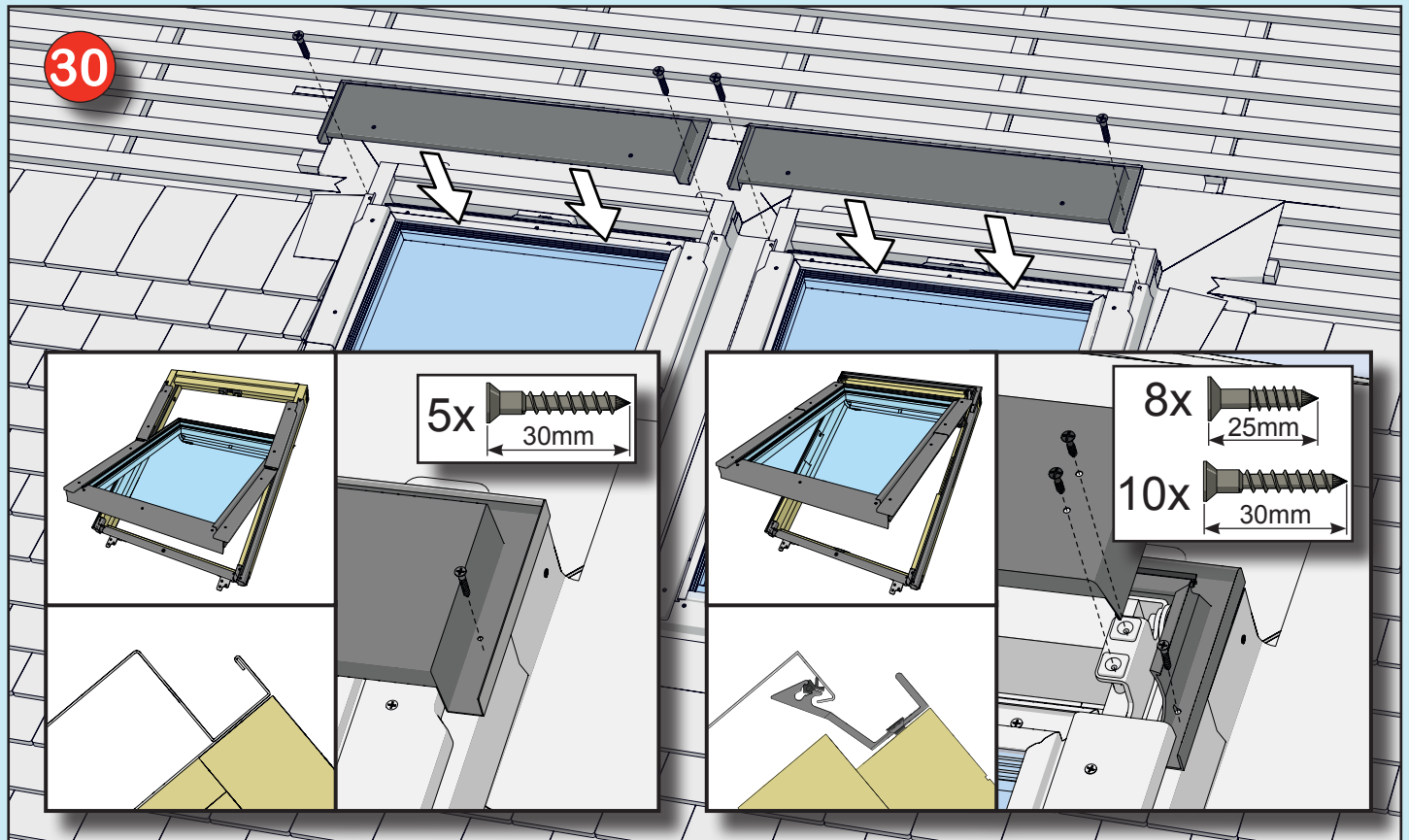
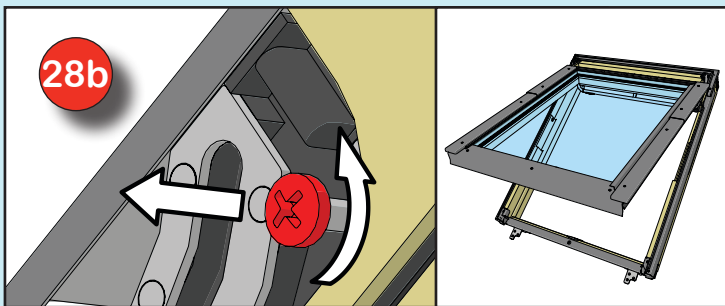
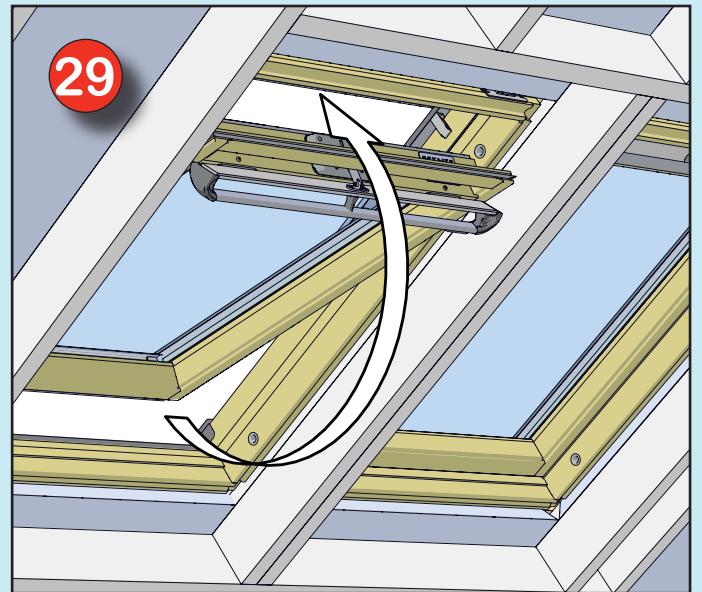
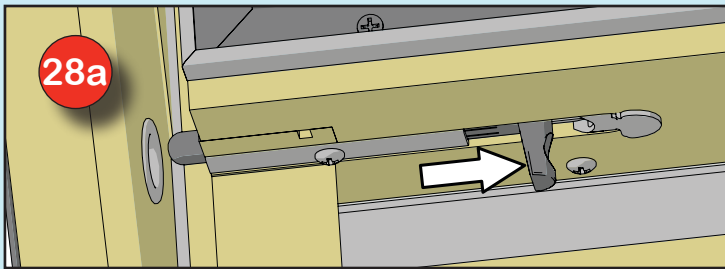
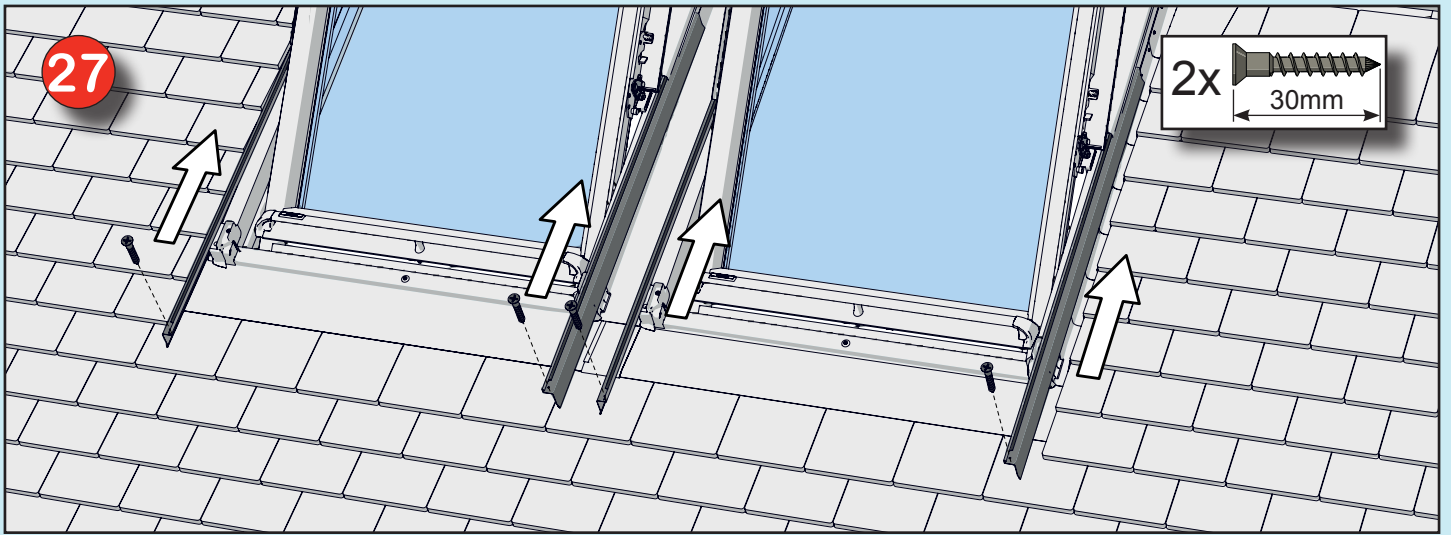







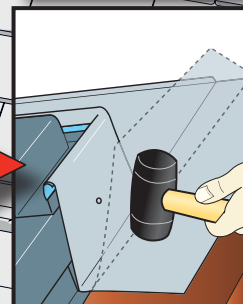
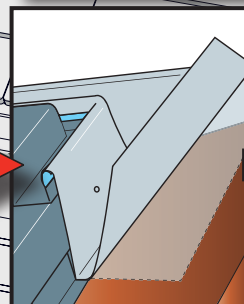
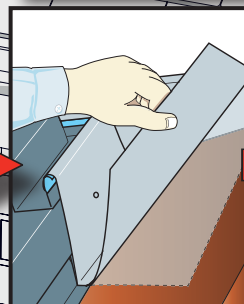
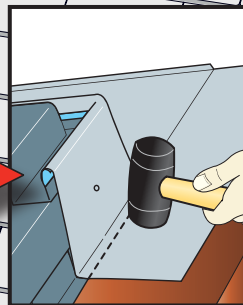
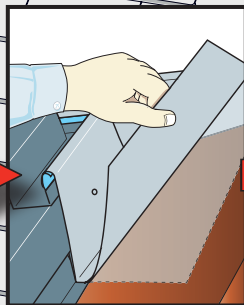
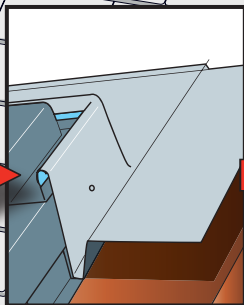
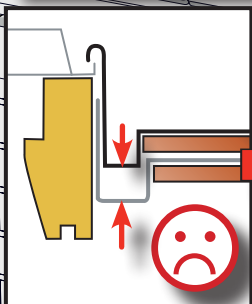
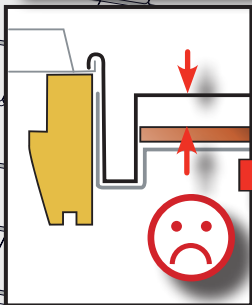
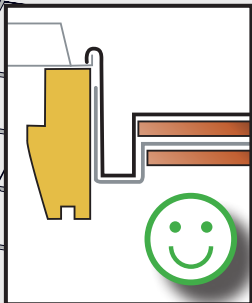
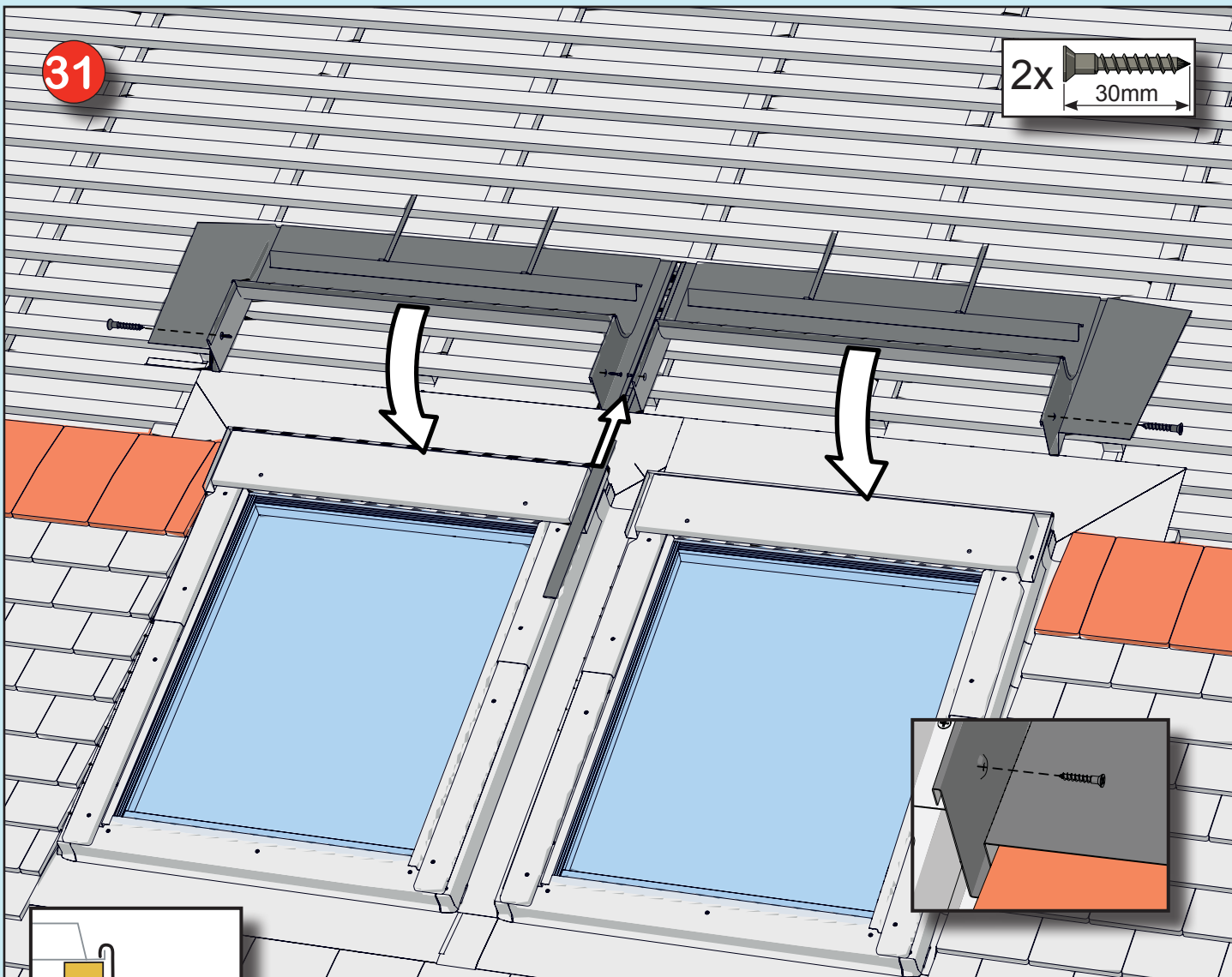




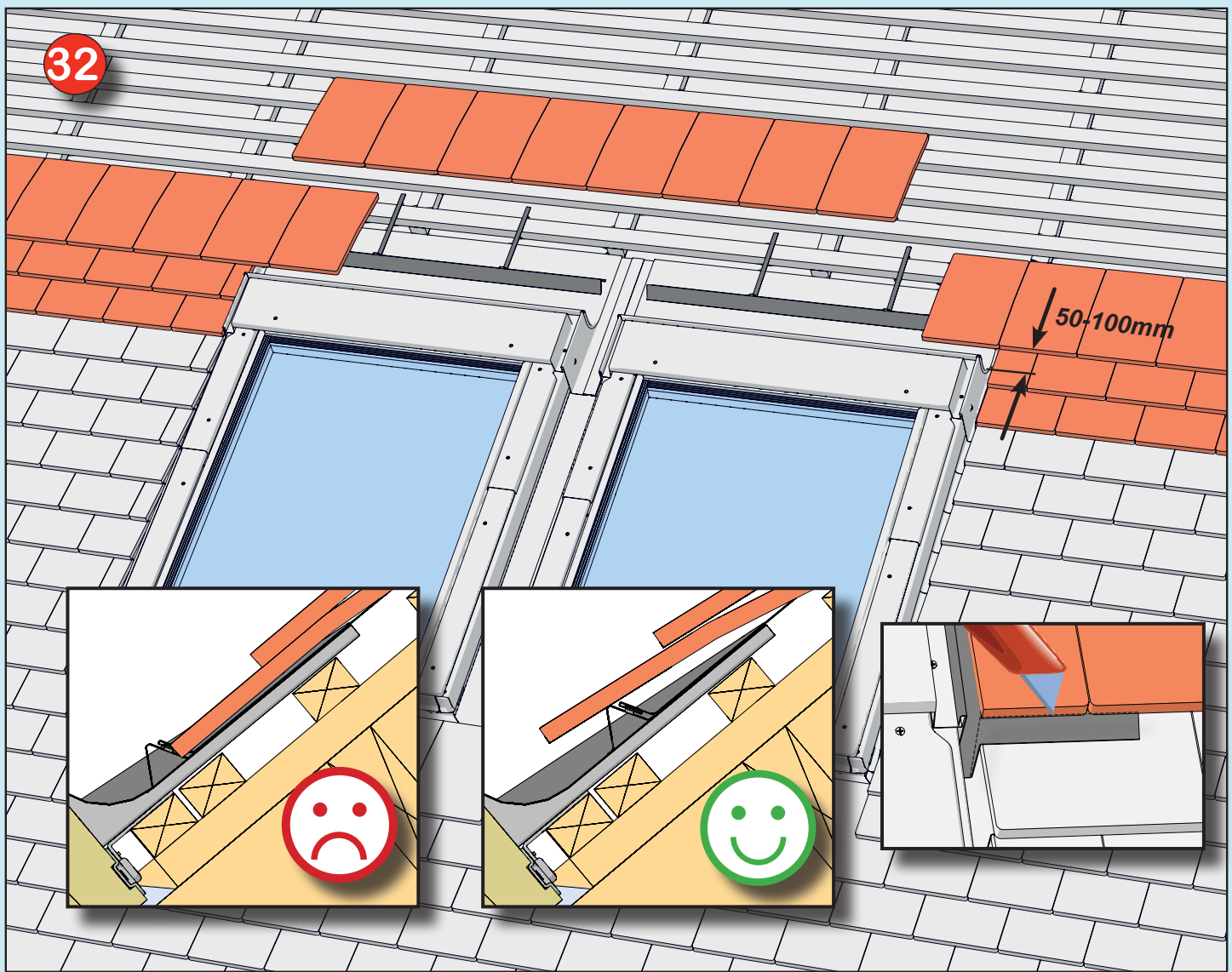


31

2x  30mm



32



33

