

CTRF
18mm Gap

000mm x 000mm

0.0kg 00°-00° 100% BBA CE

15 - 45mm

20° - 90°

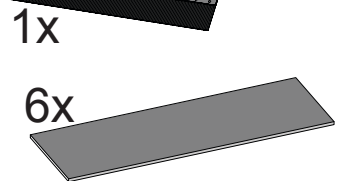
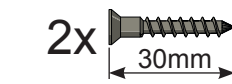
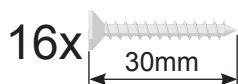
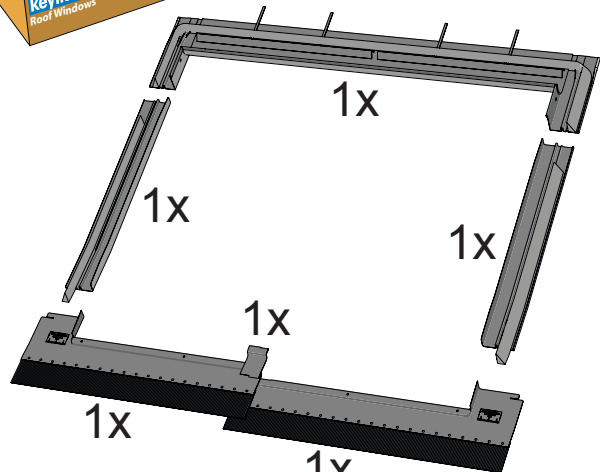
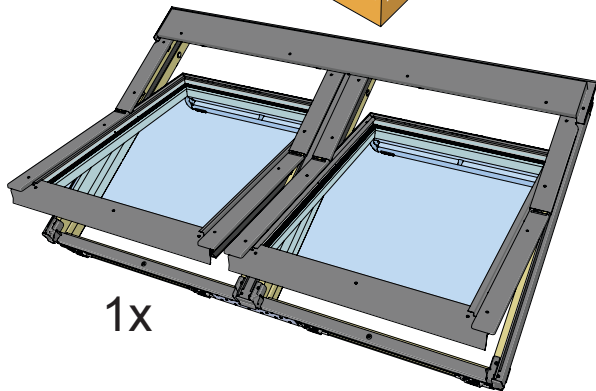
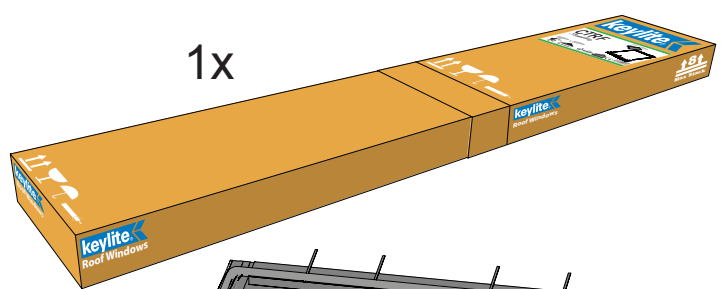
15 - 90mm

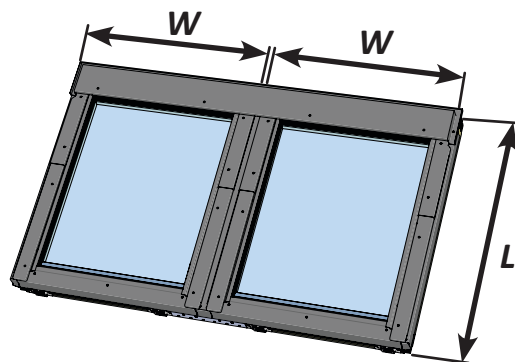
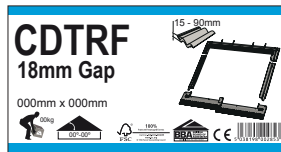
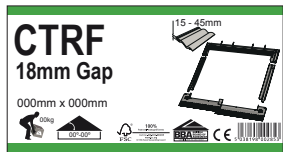
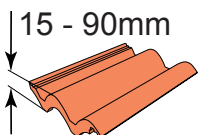
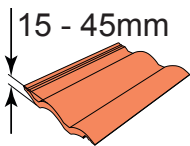
15° - 90°

CDTRF
18mm Gap

000mm x 000mm

0.0kg 00°-00° 100% BBA CE

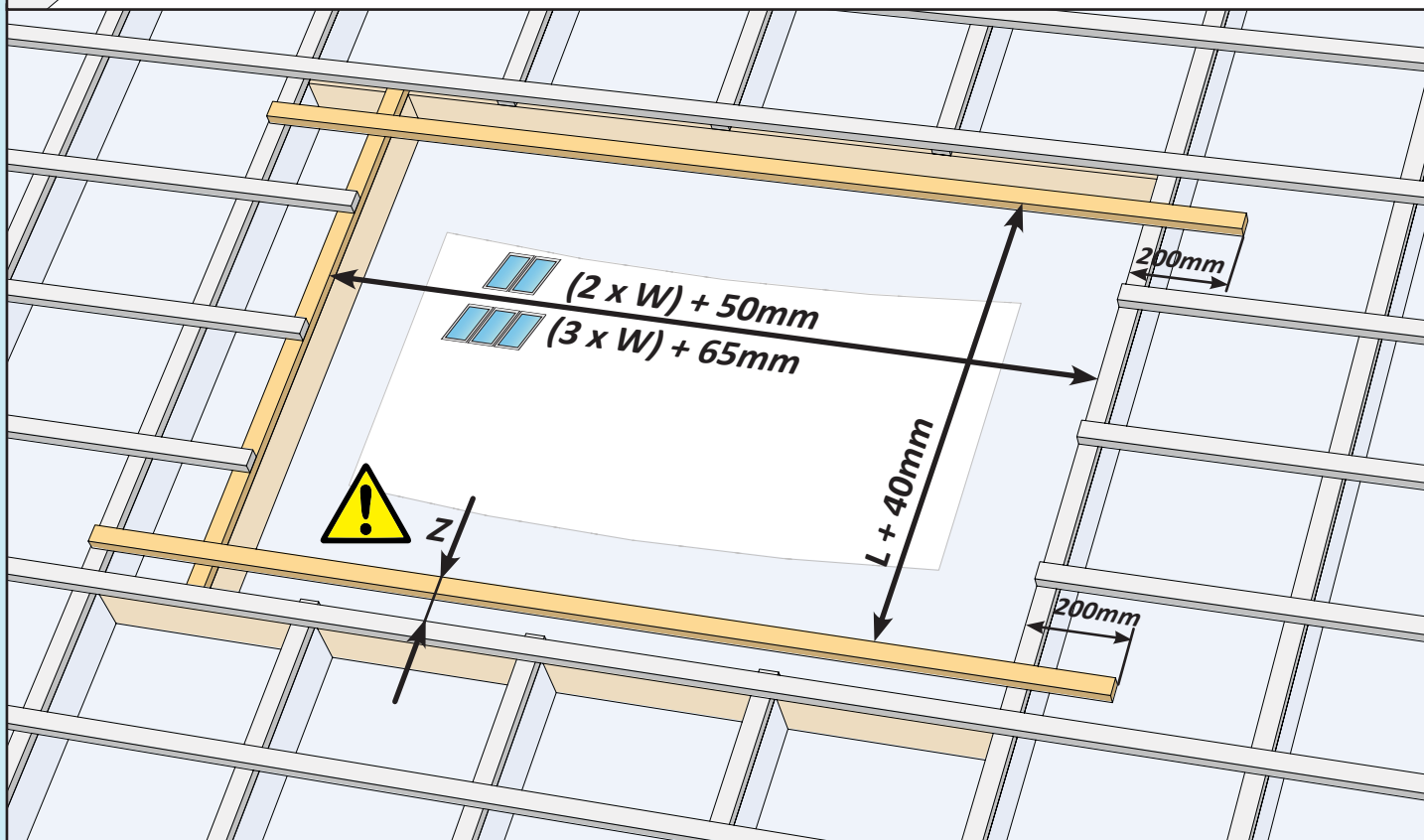
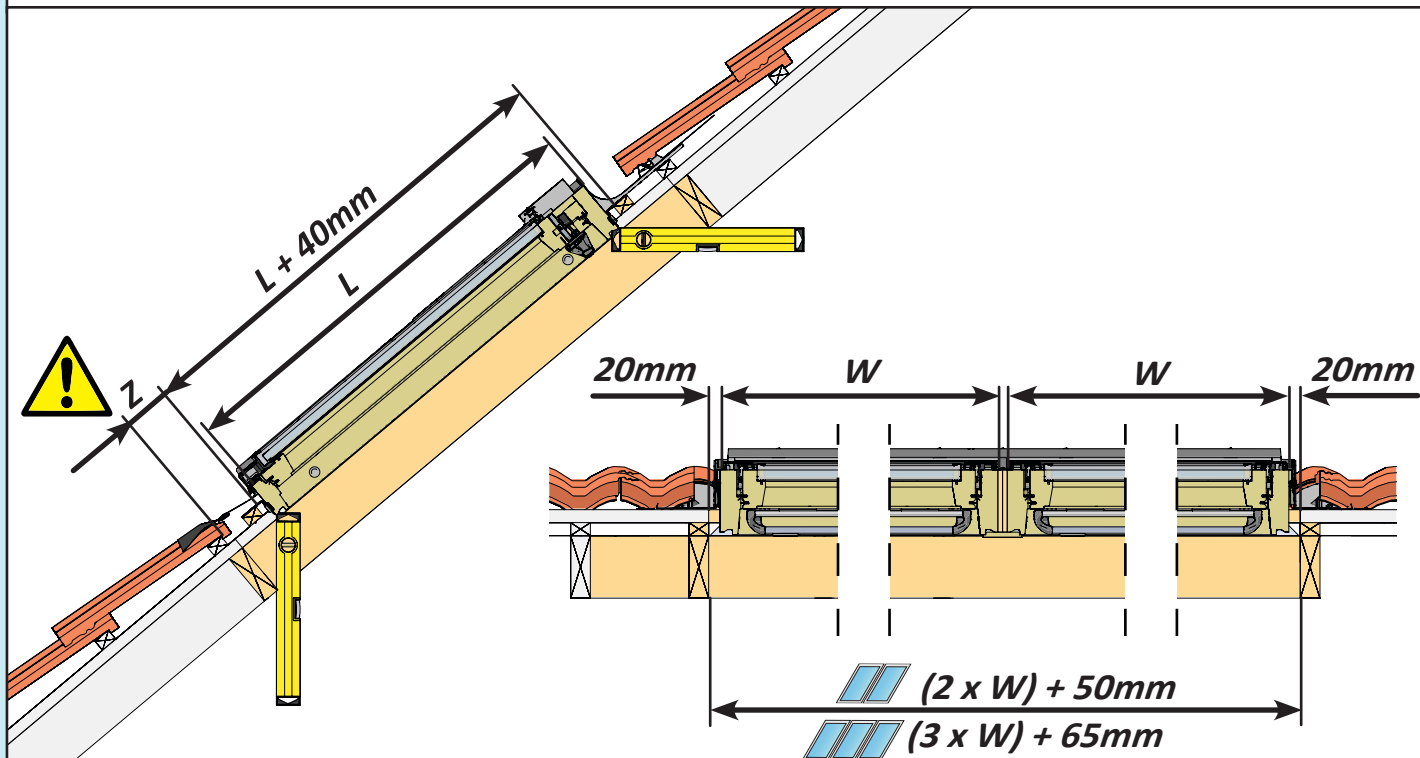


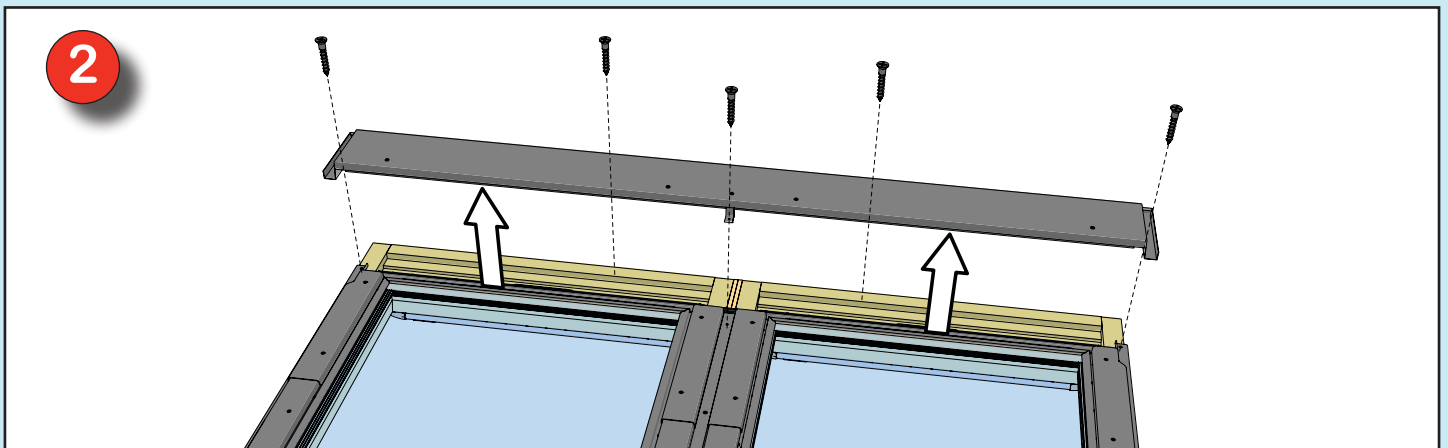
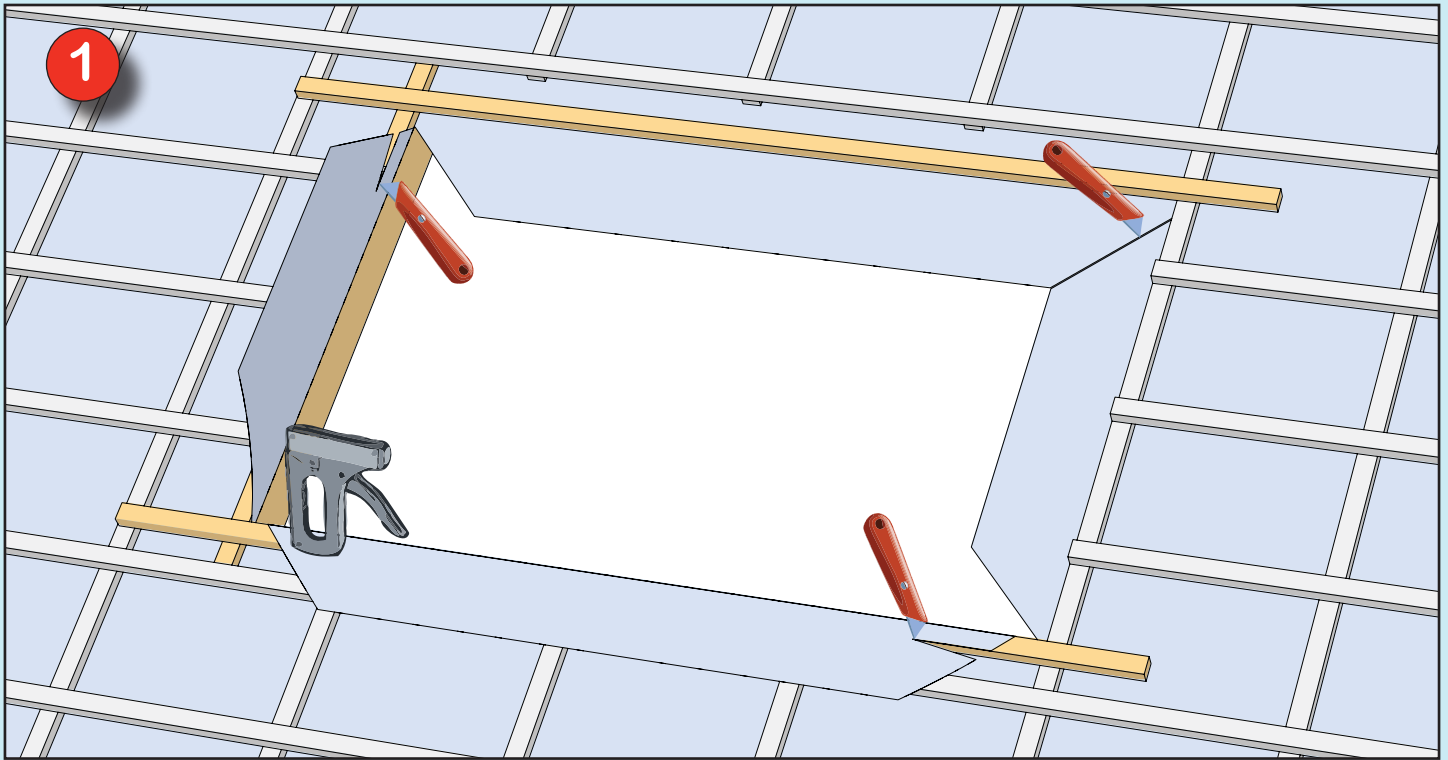
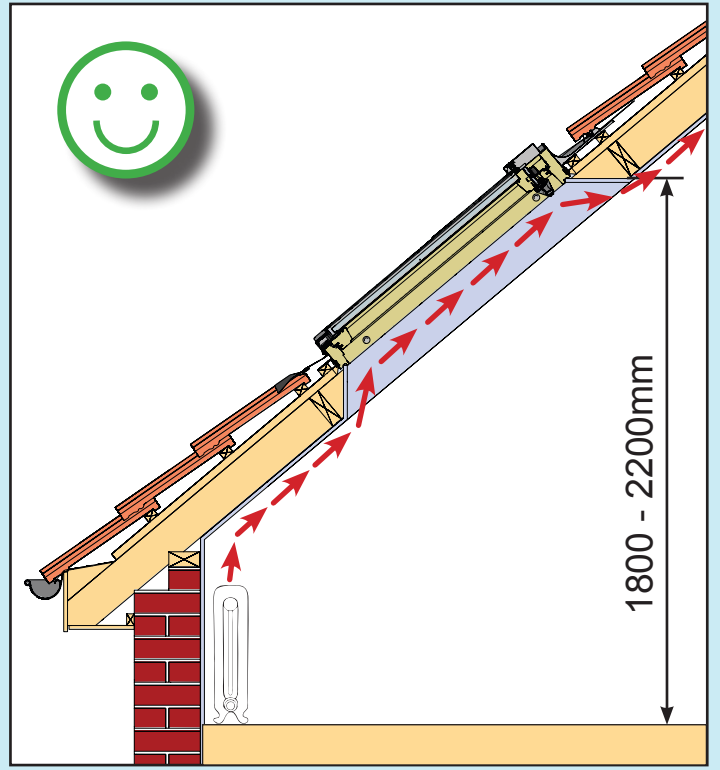
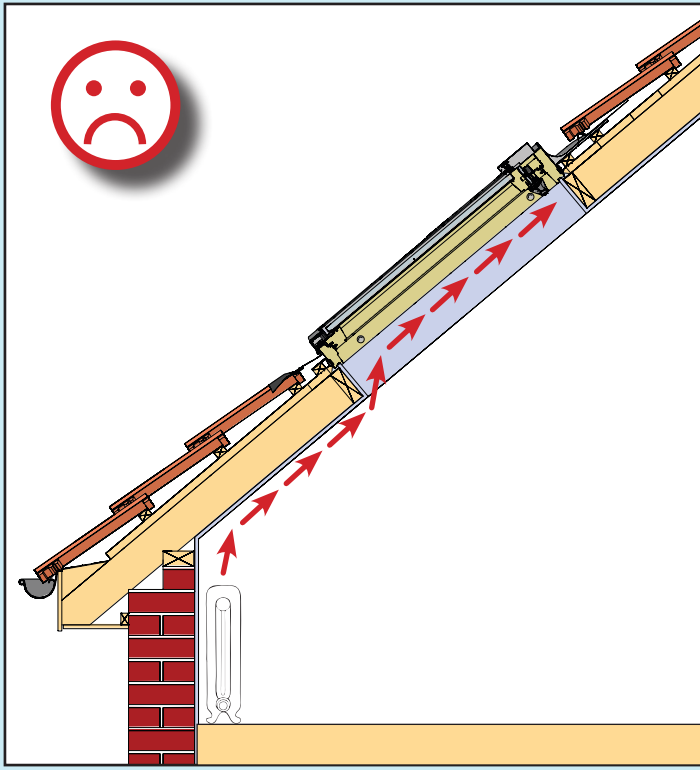


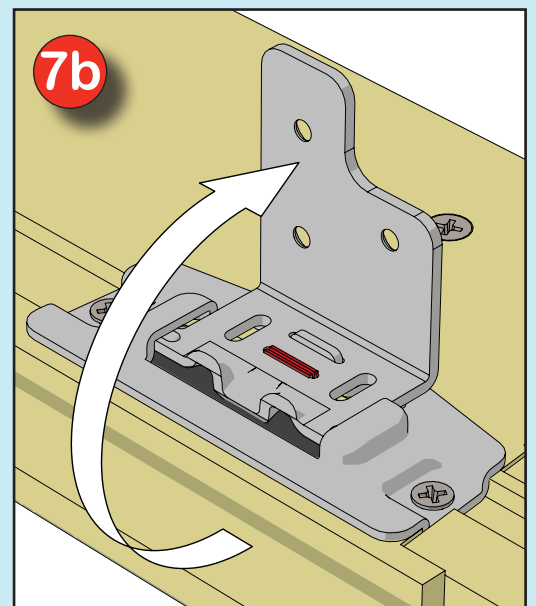
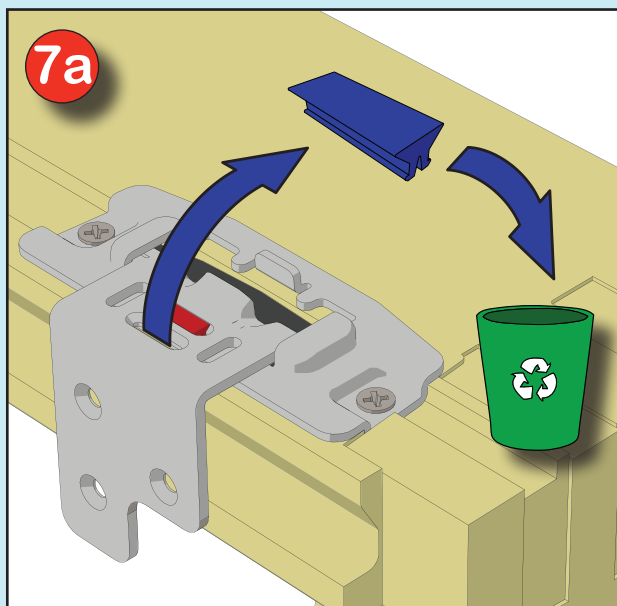
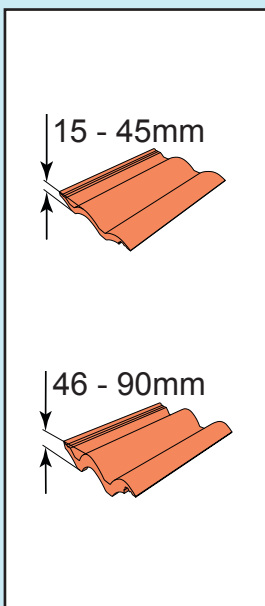
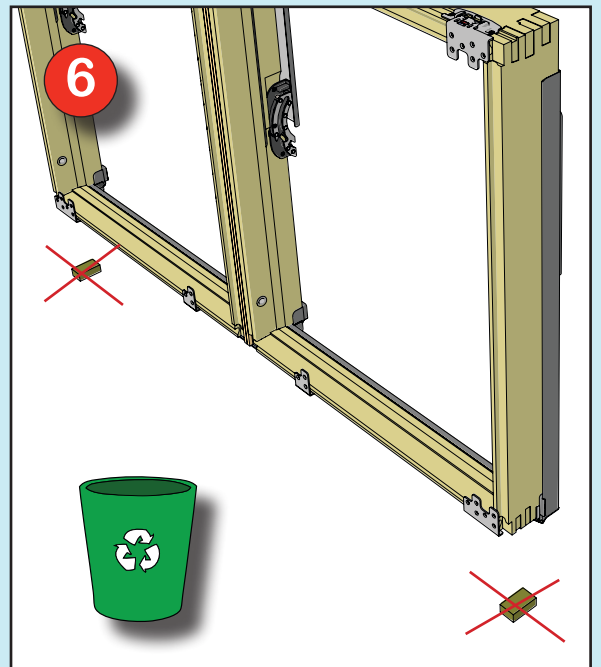
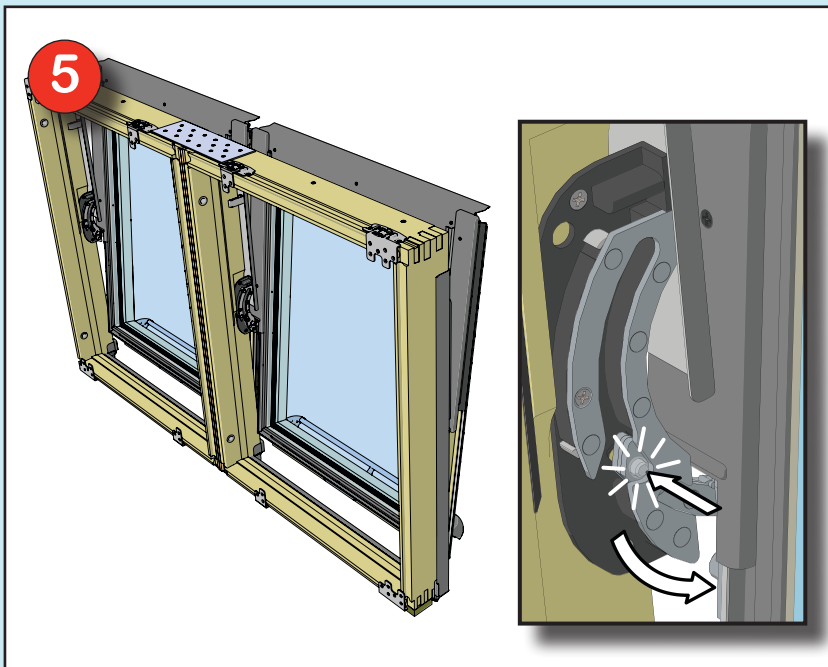
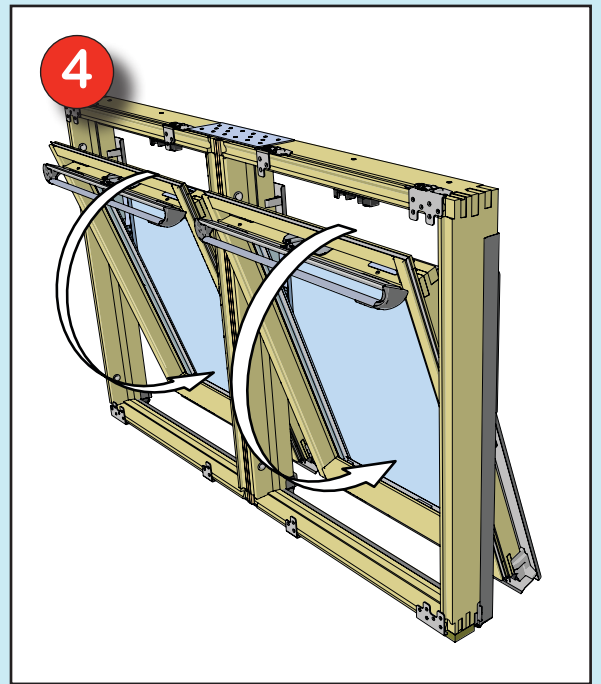
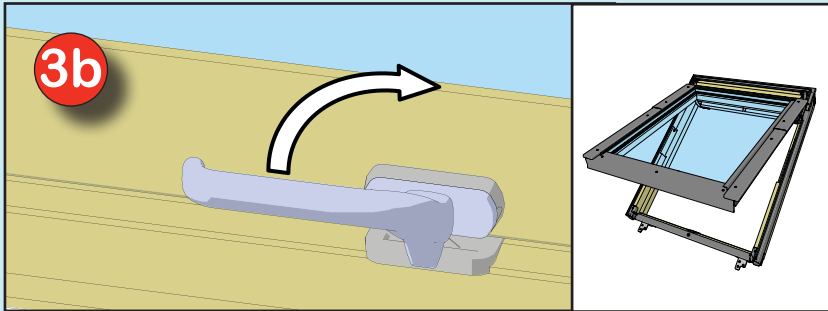
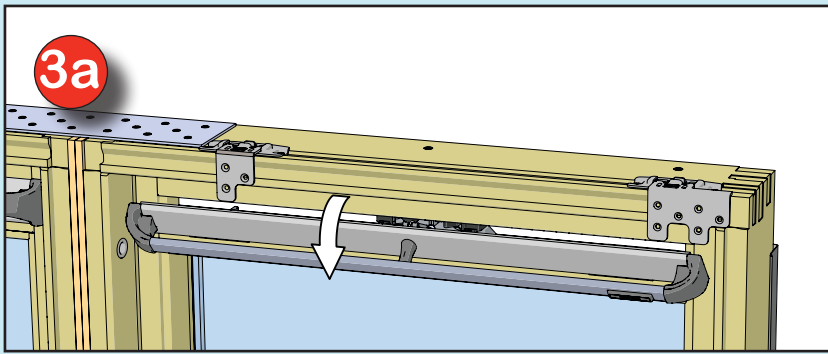
Z = 100mm

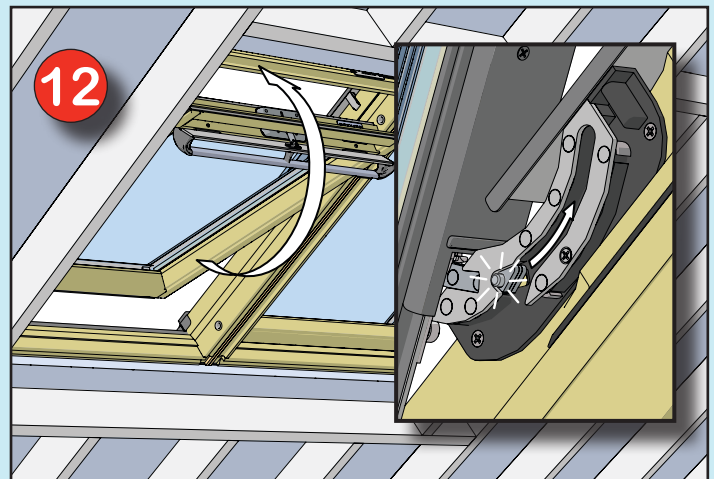
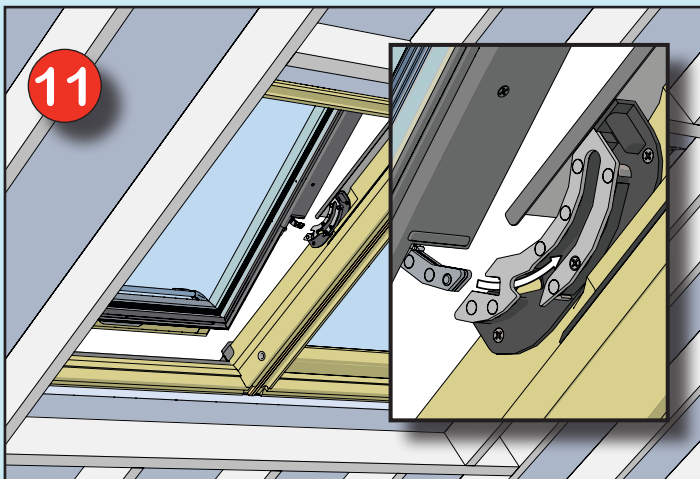
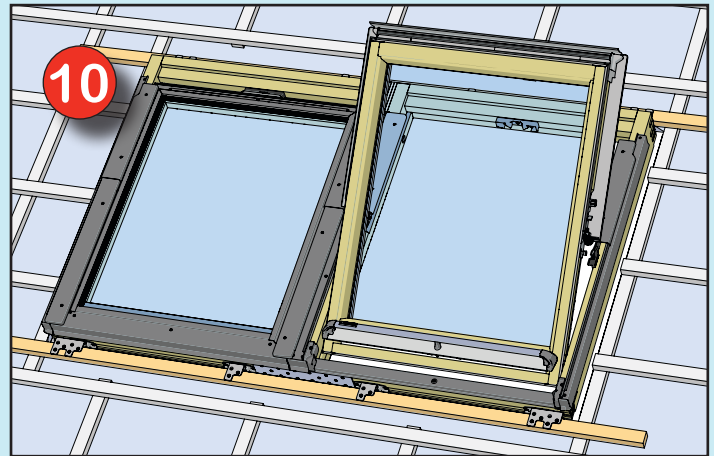
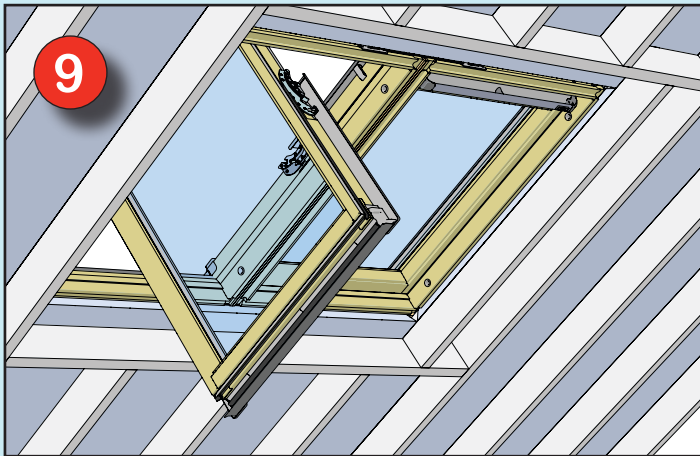
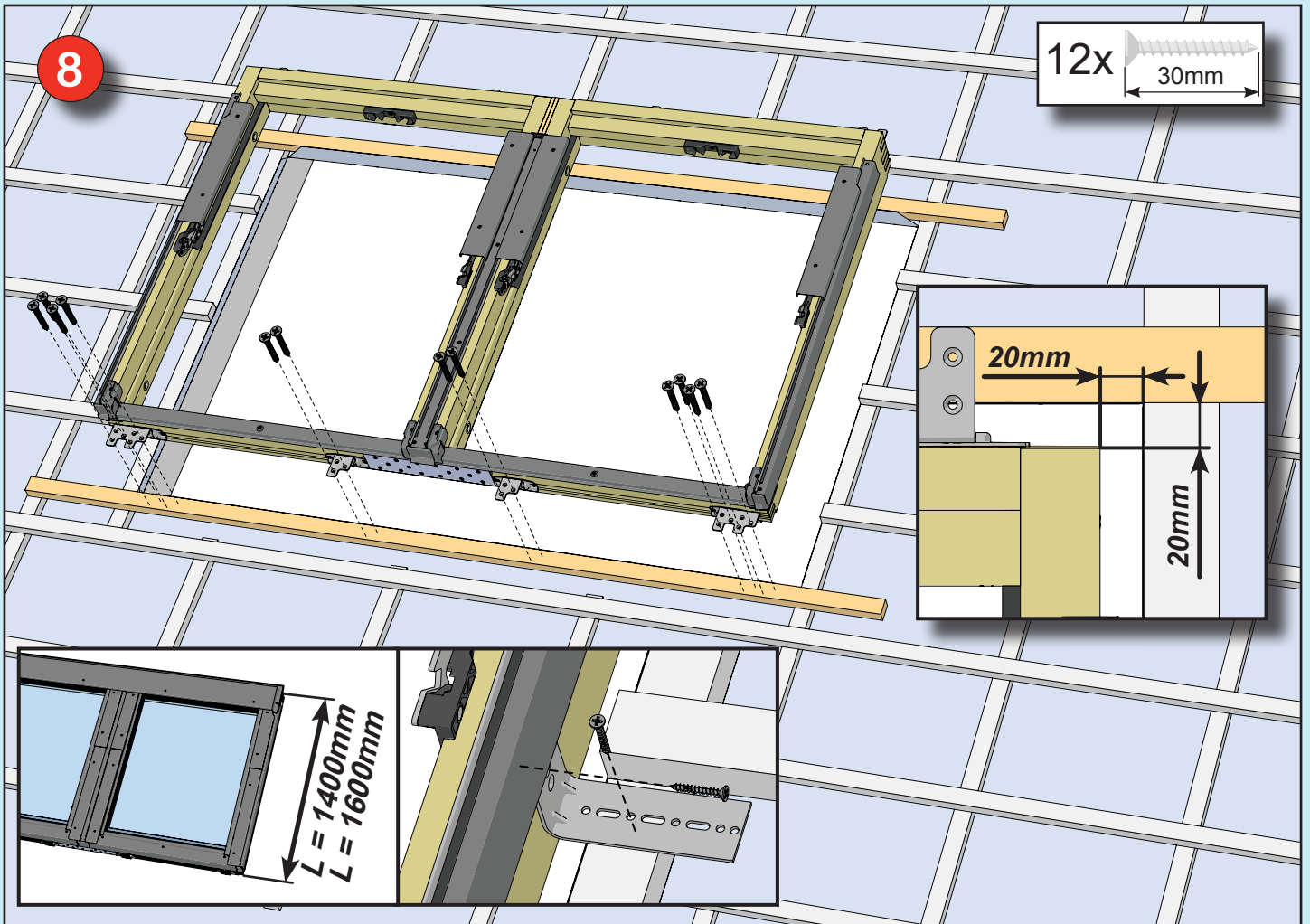


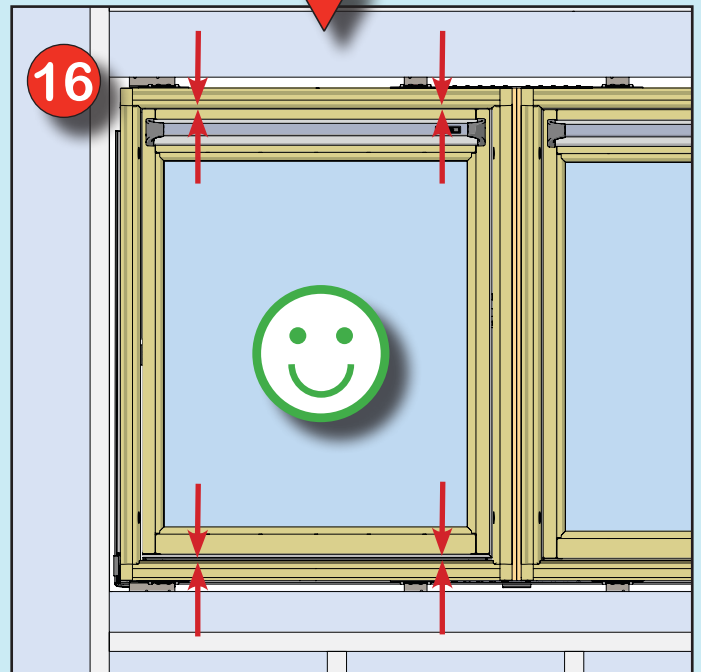
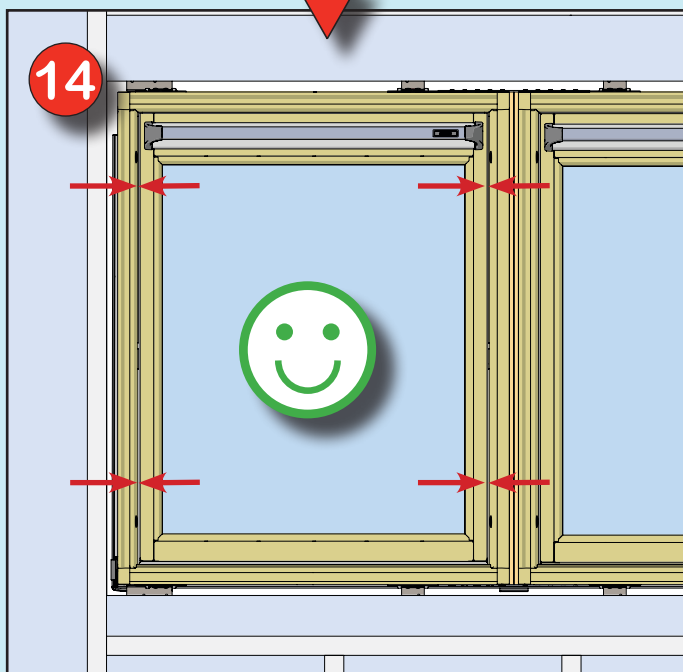
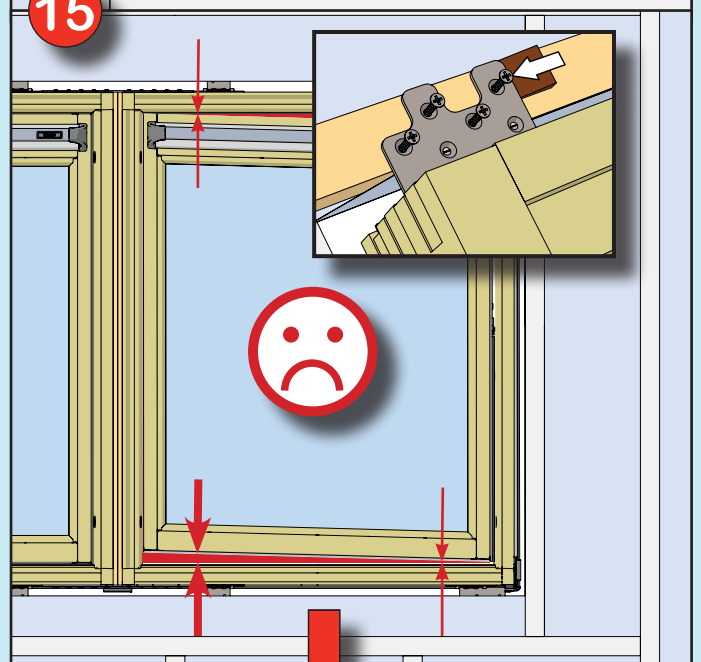
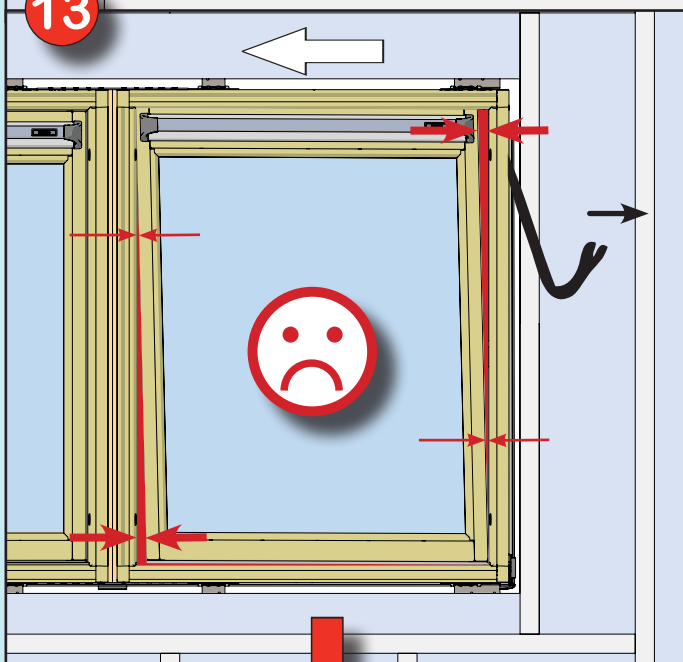
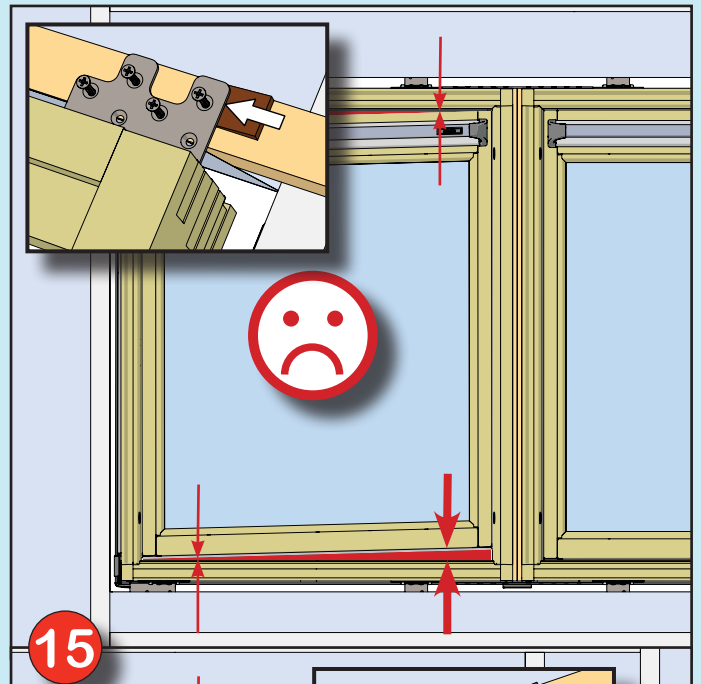
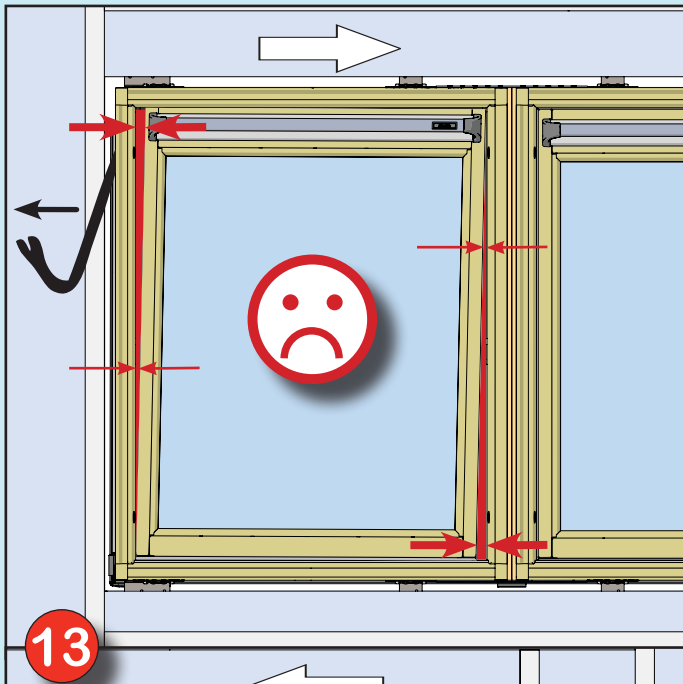
Z = 120 - 140mm

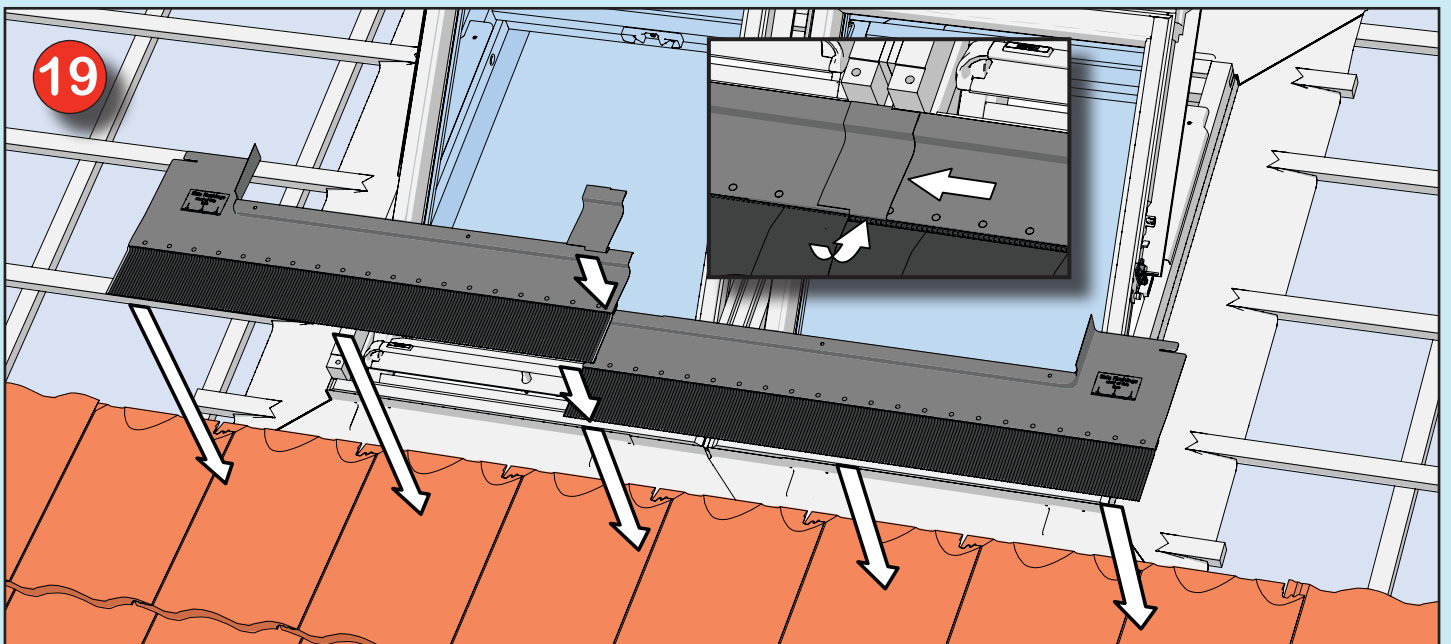
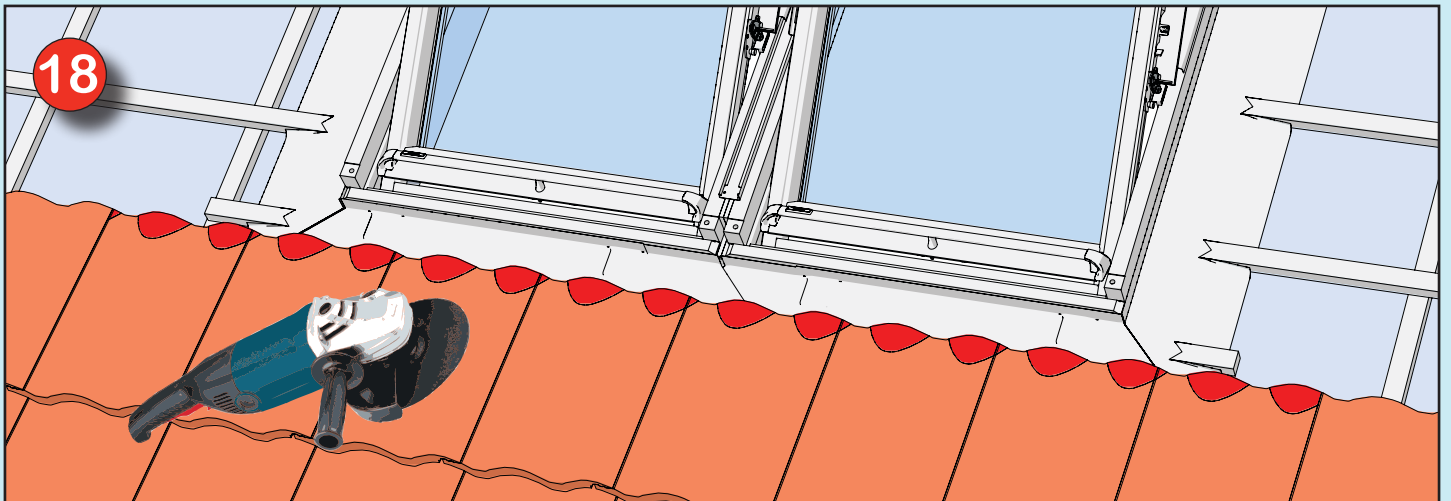
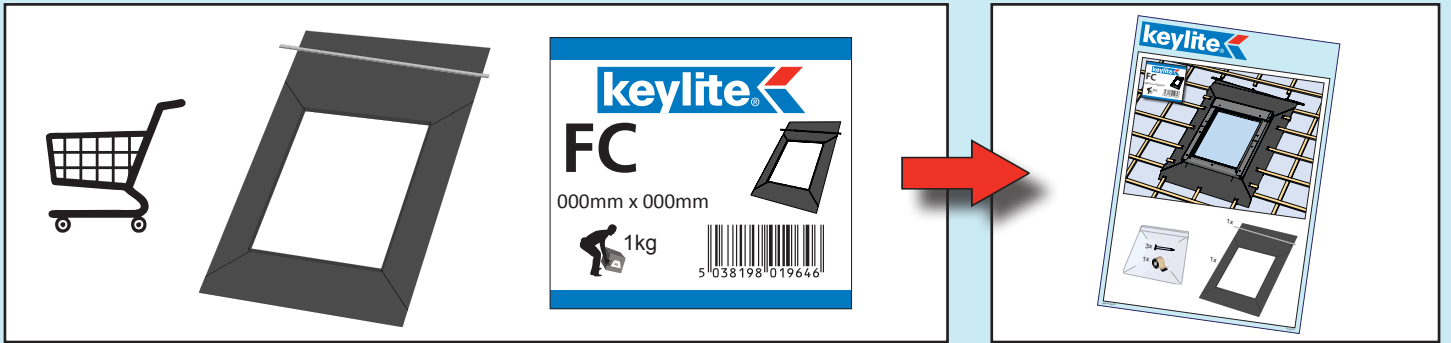
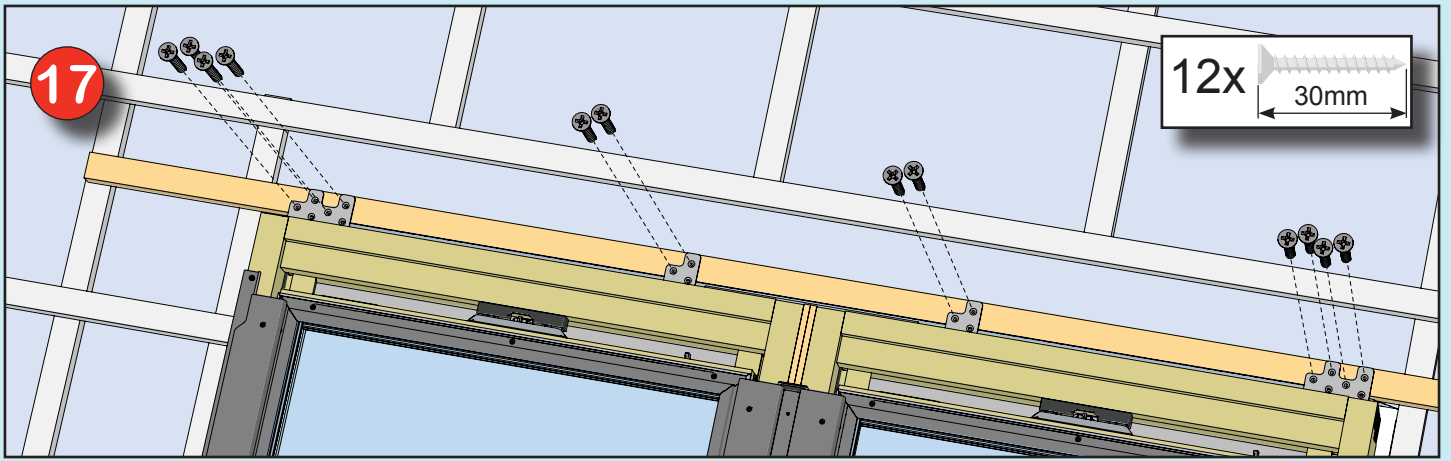


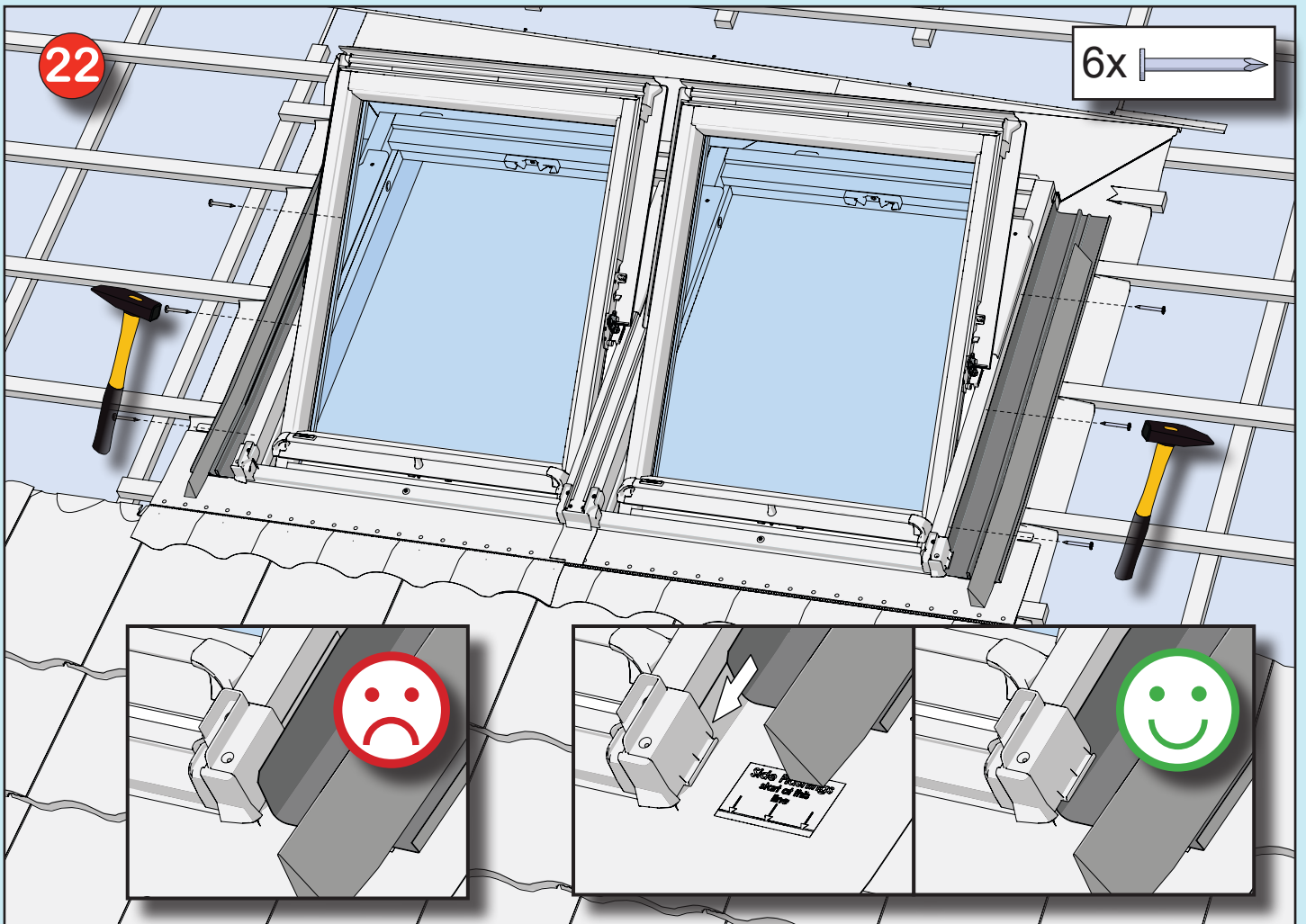
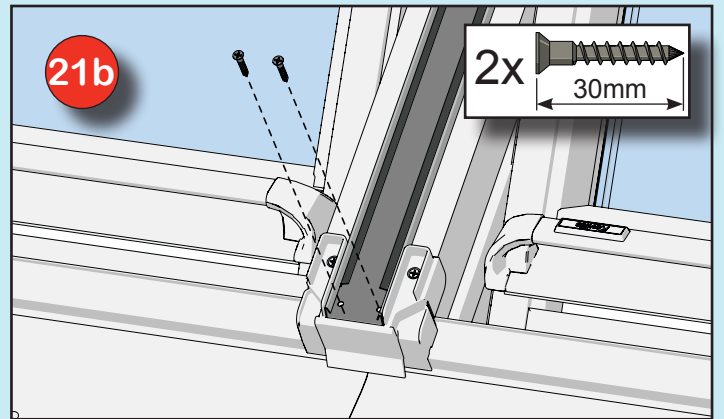
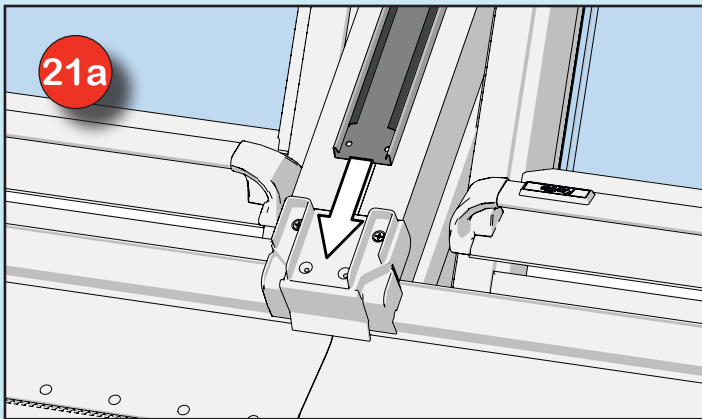
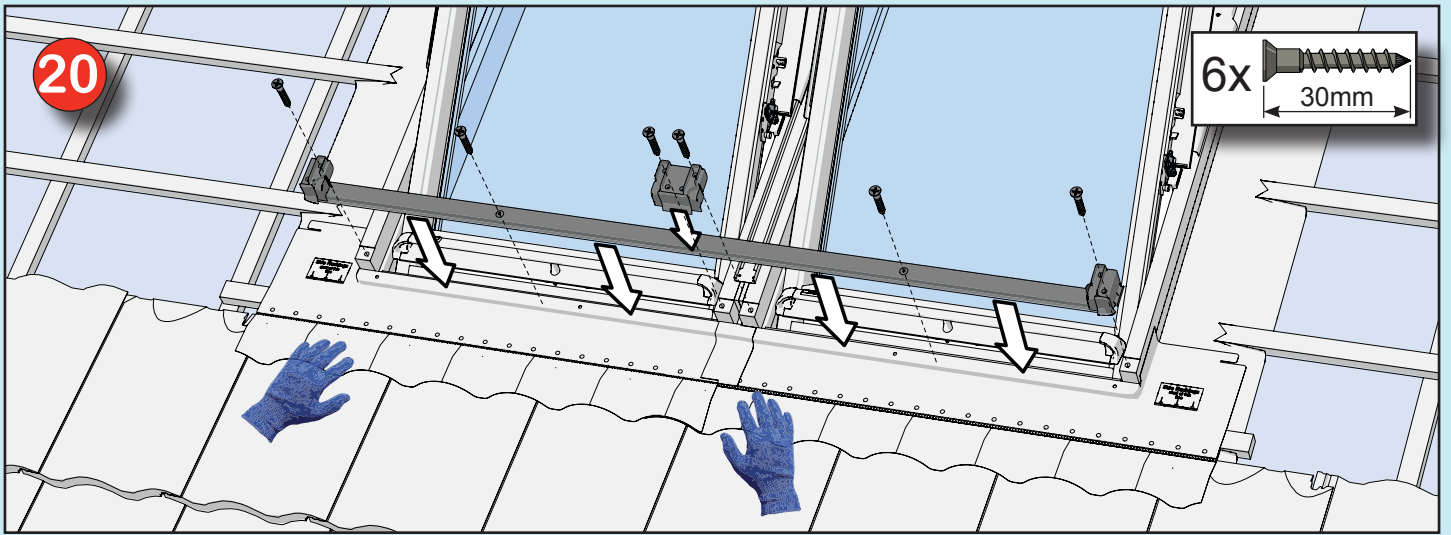


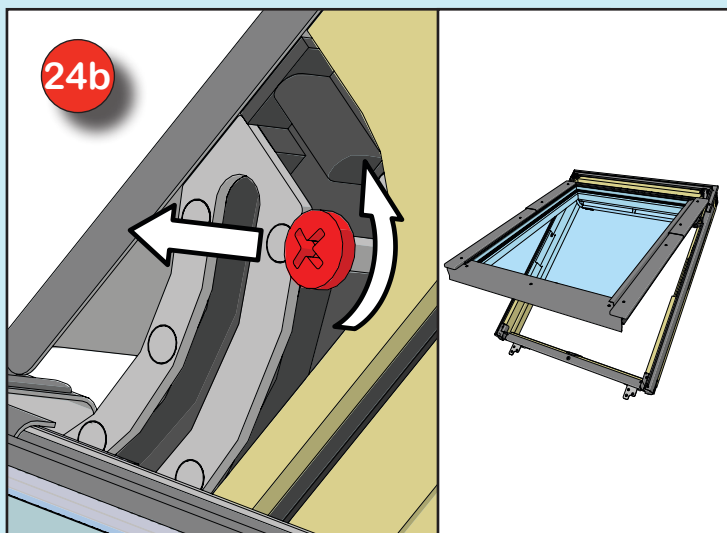
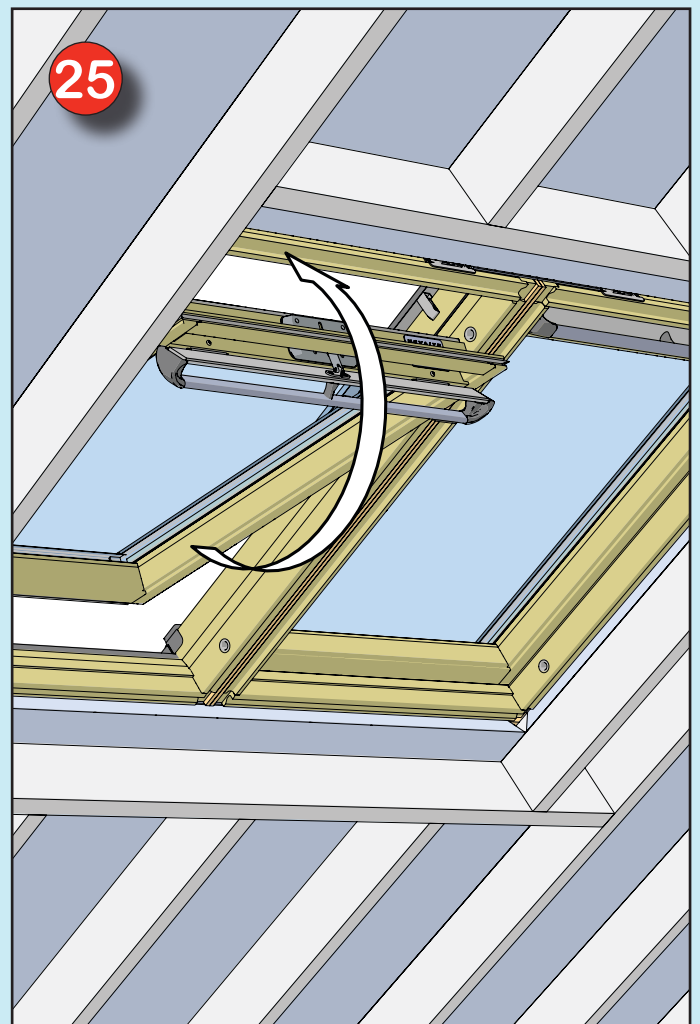
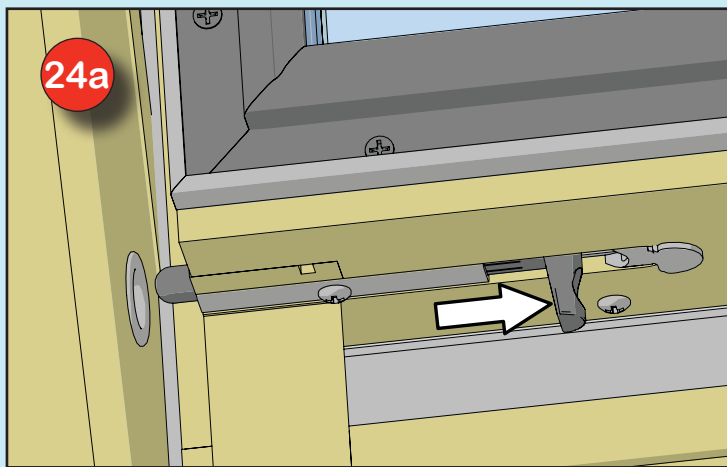
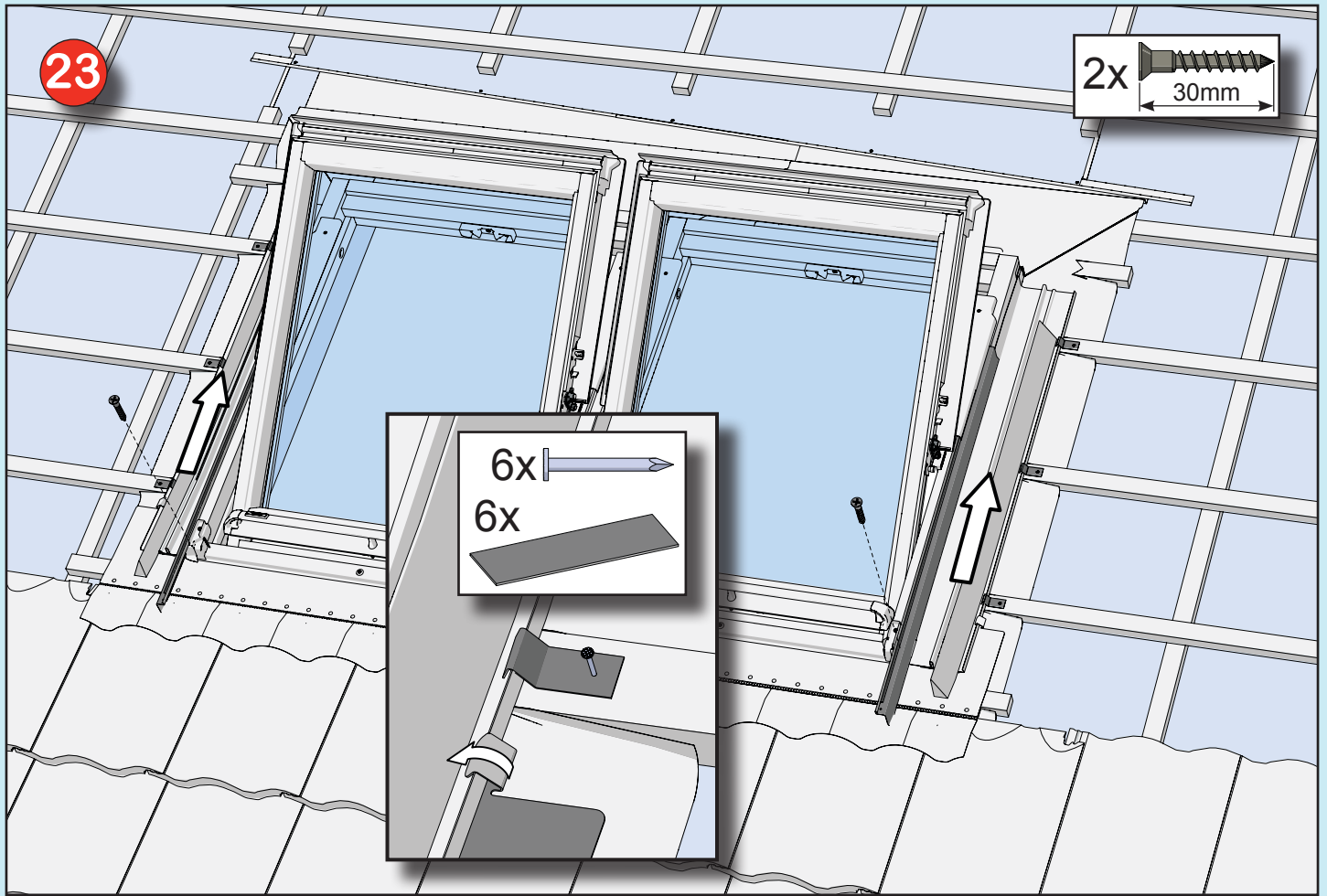


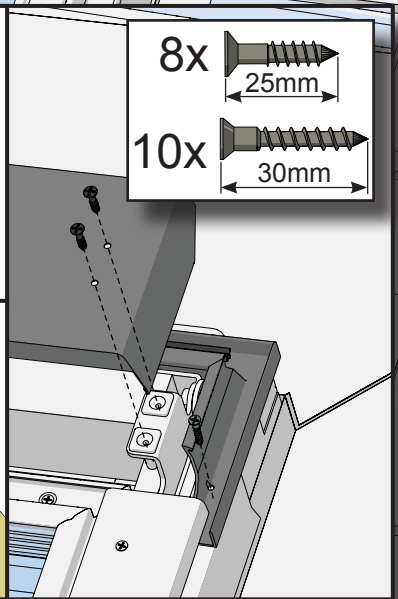
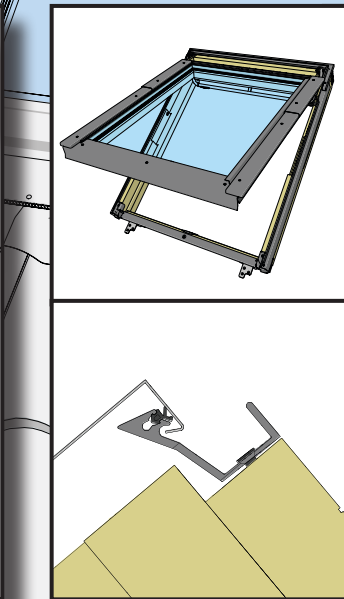
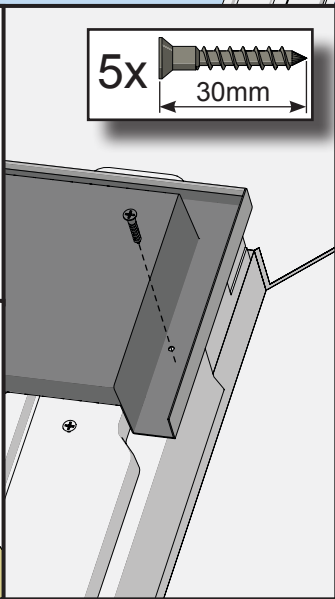
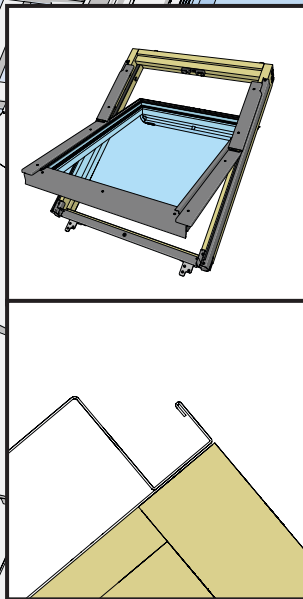
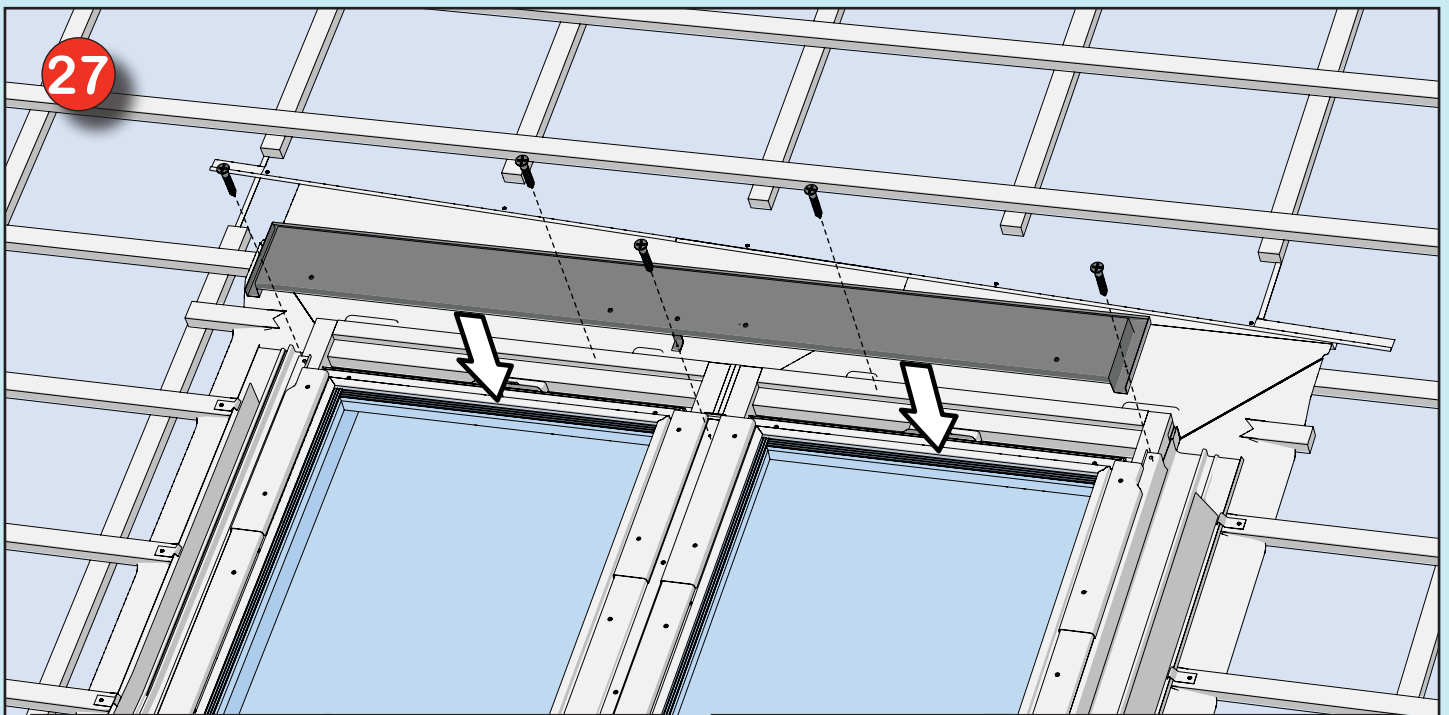
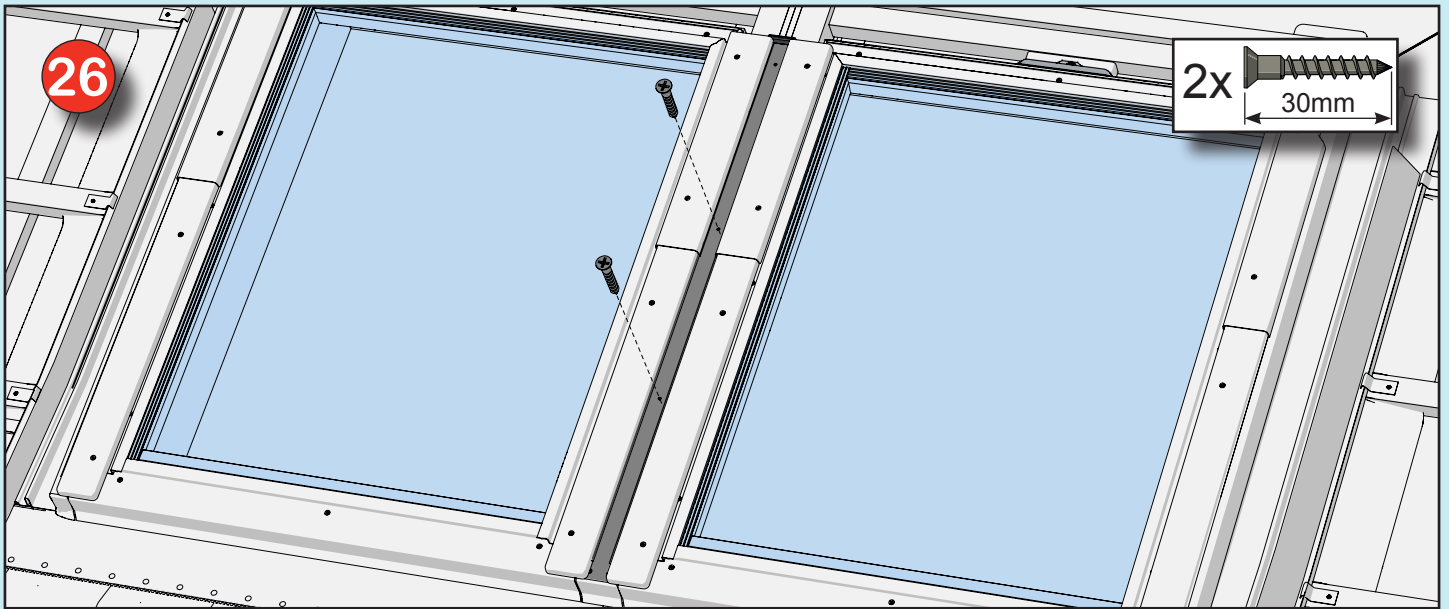




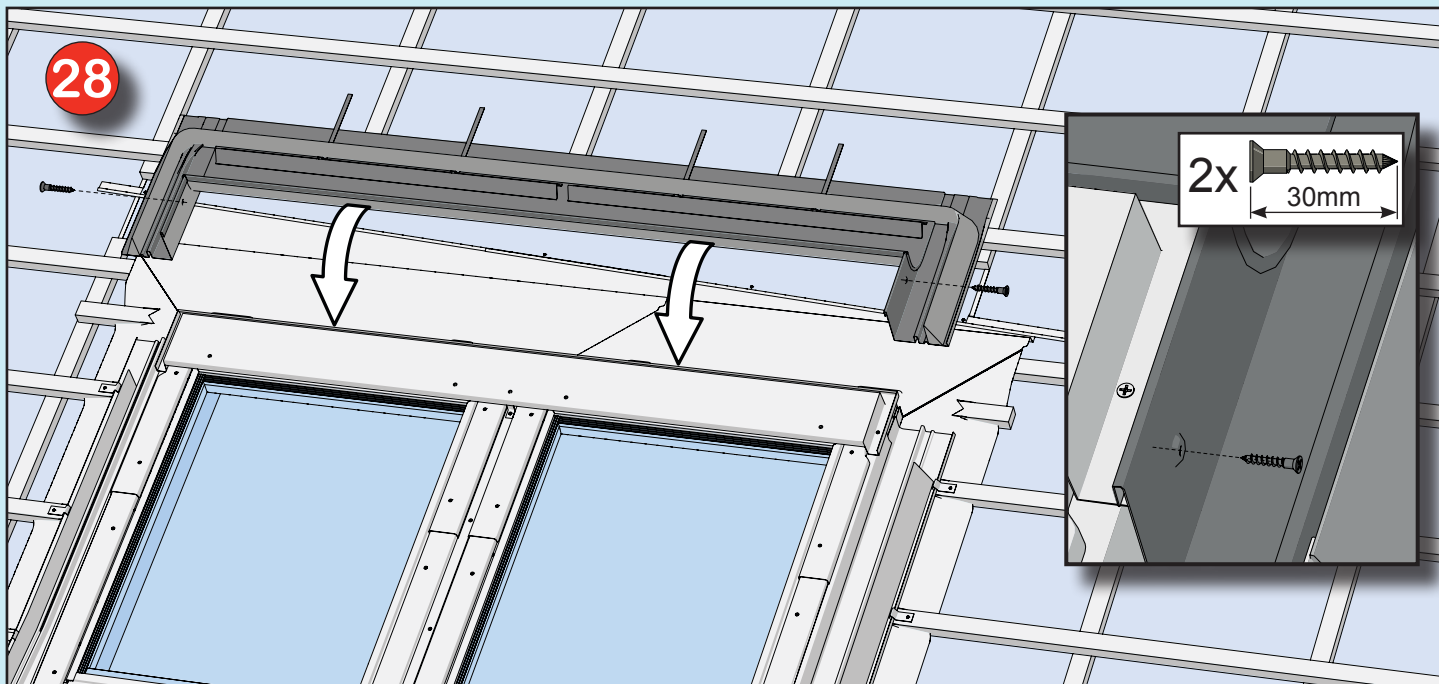




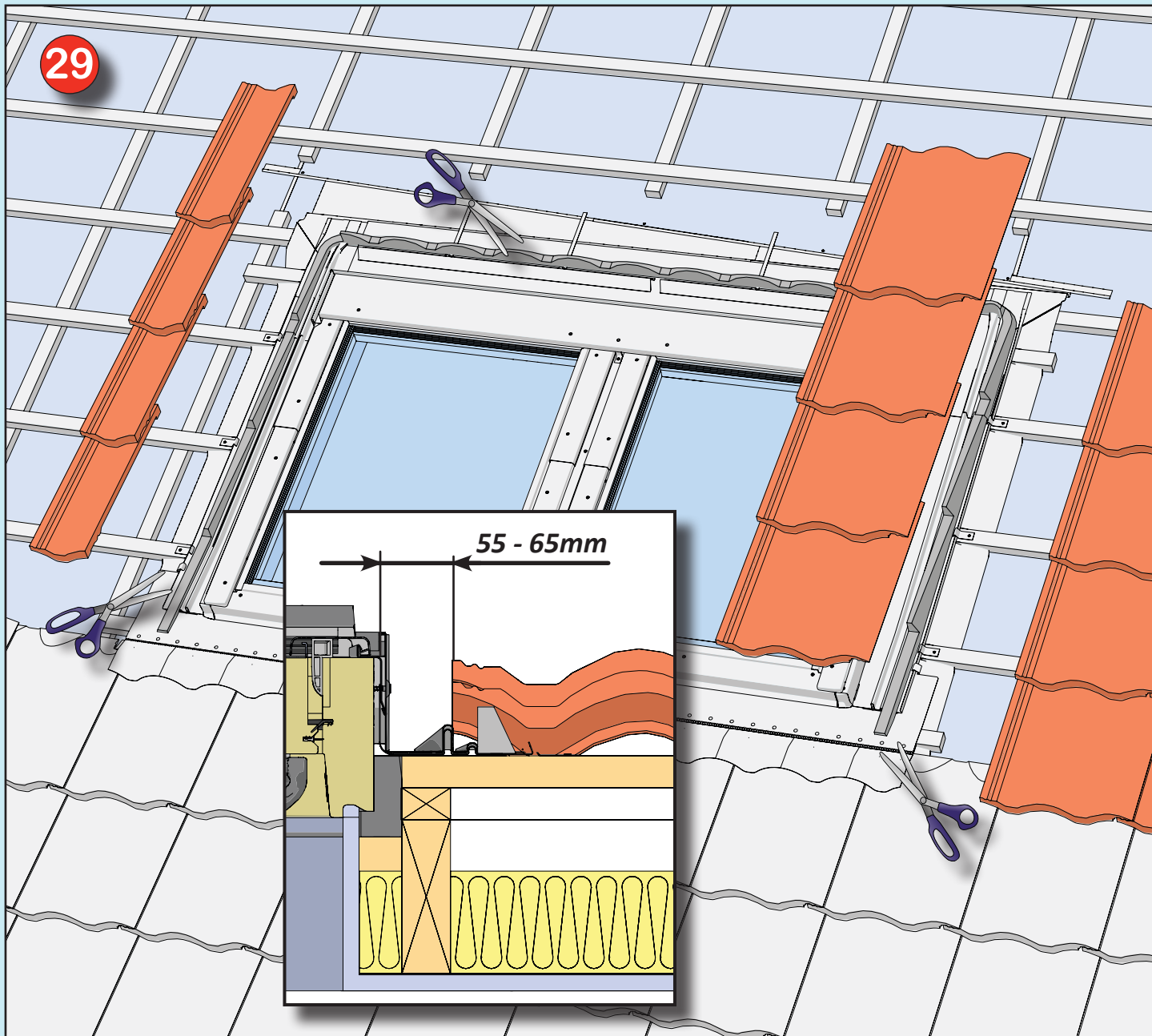




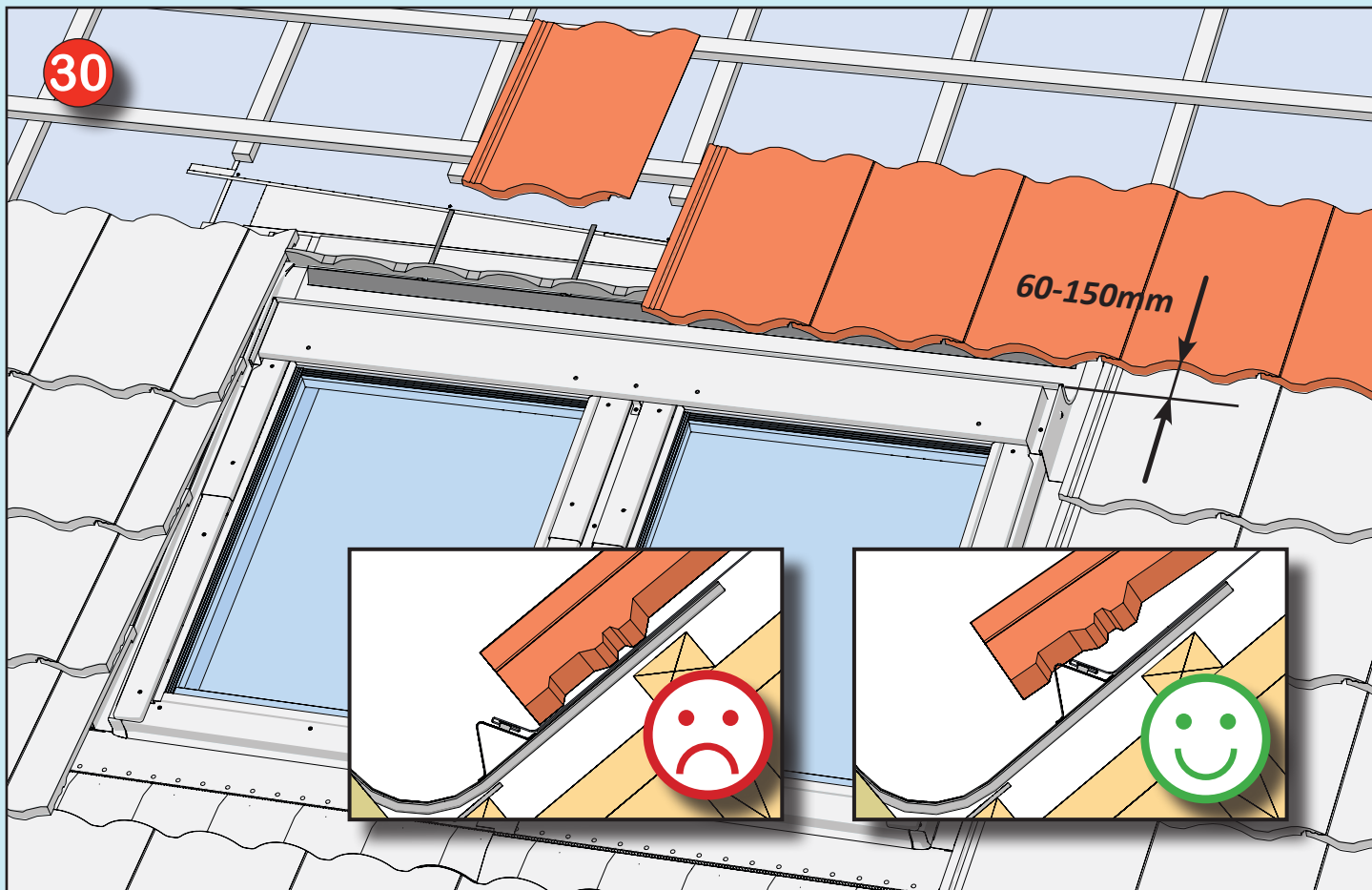
28



29



30



31

