

CTRF
100mm Gap

000mm x 000mm

0.0kg 00°-00° 100% BBA CE

15 - 45mm

20° - 90°

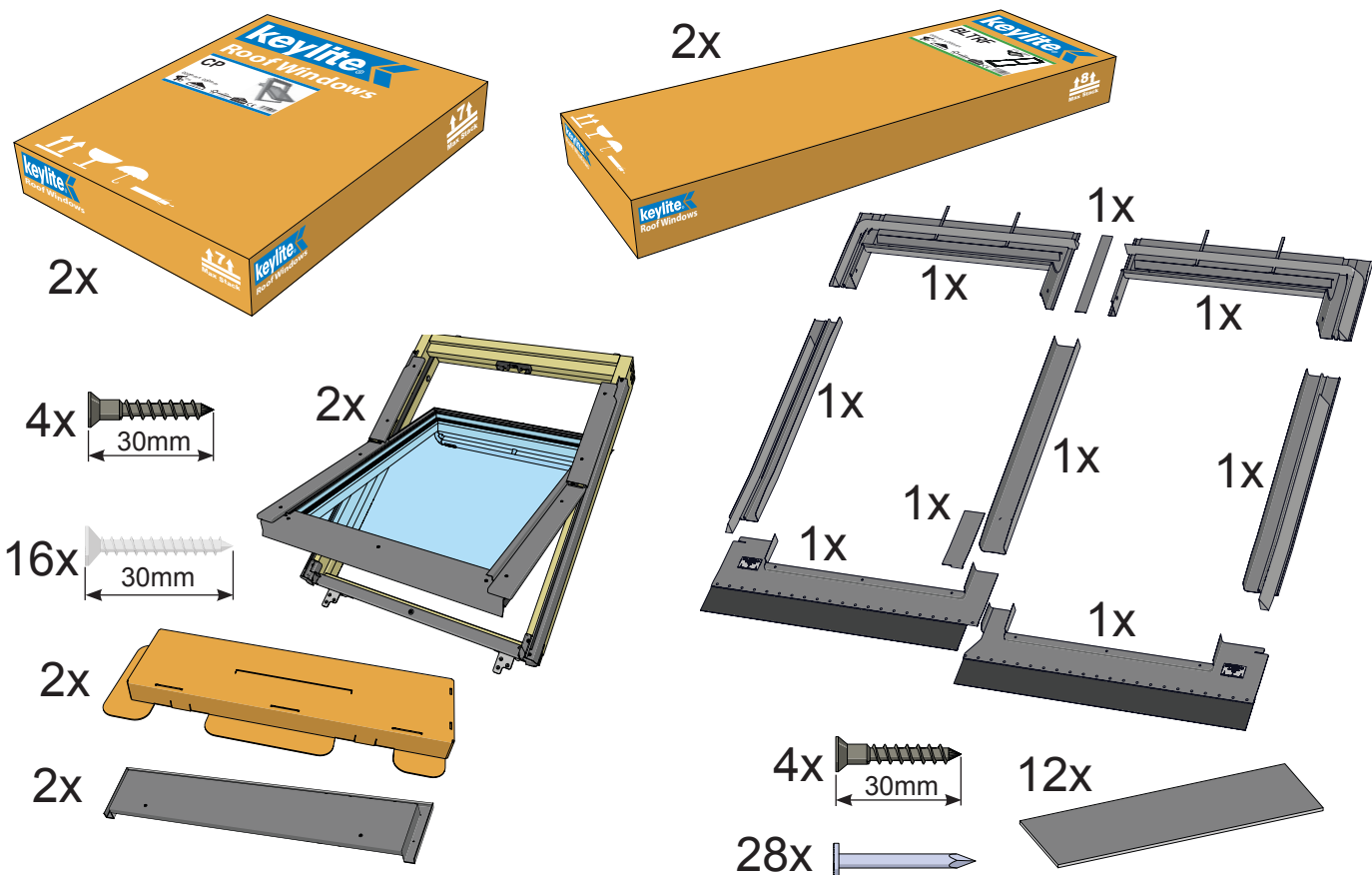
15 - 90mm

15° - 90°

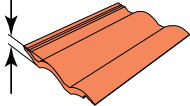
CDTRF
100mm Gap

000mm x 000mm

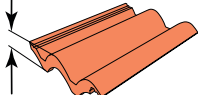
0.0kg 00°-00° 100% BBA CE



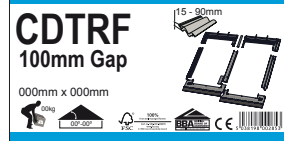
15 - 45mm



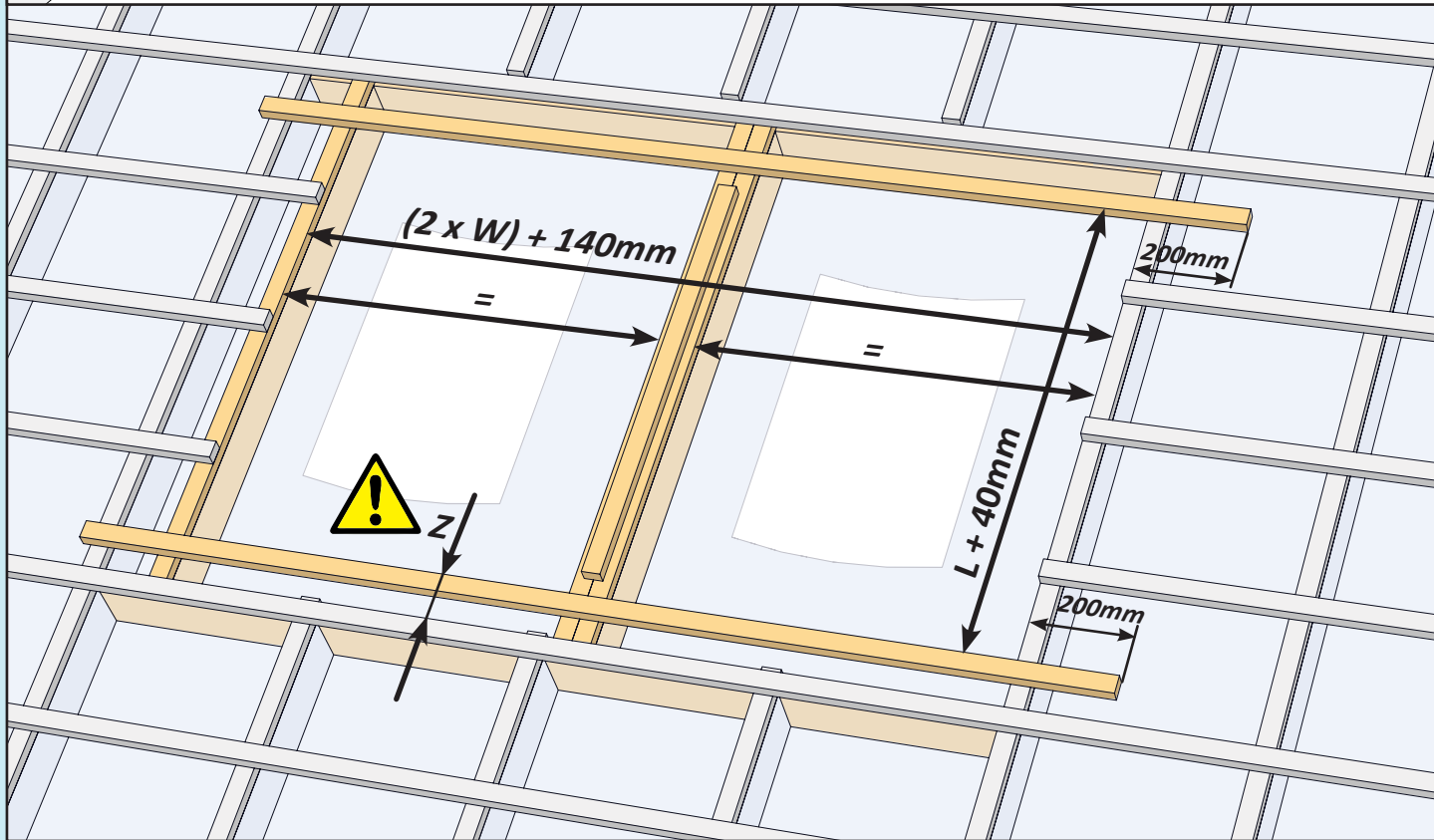
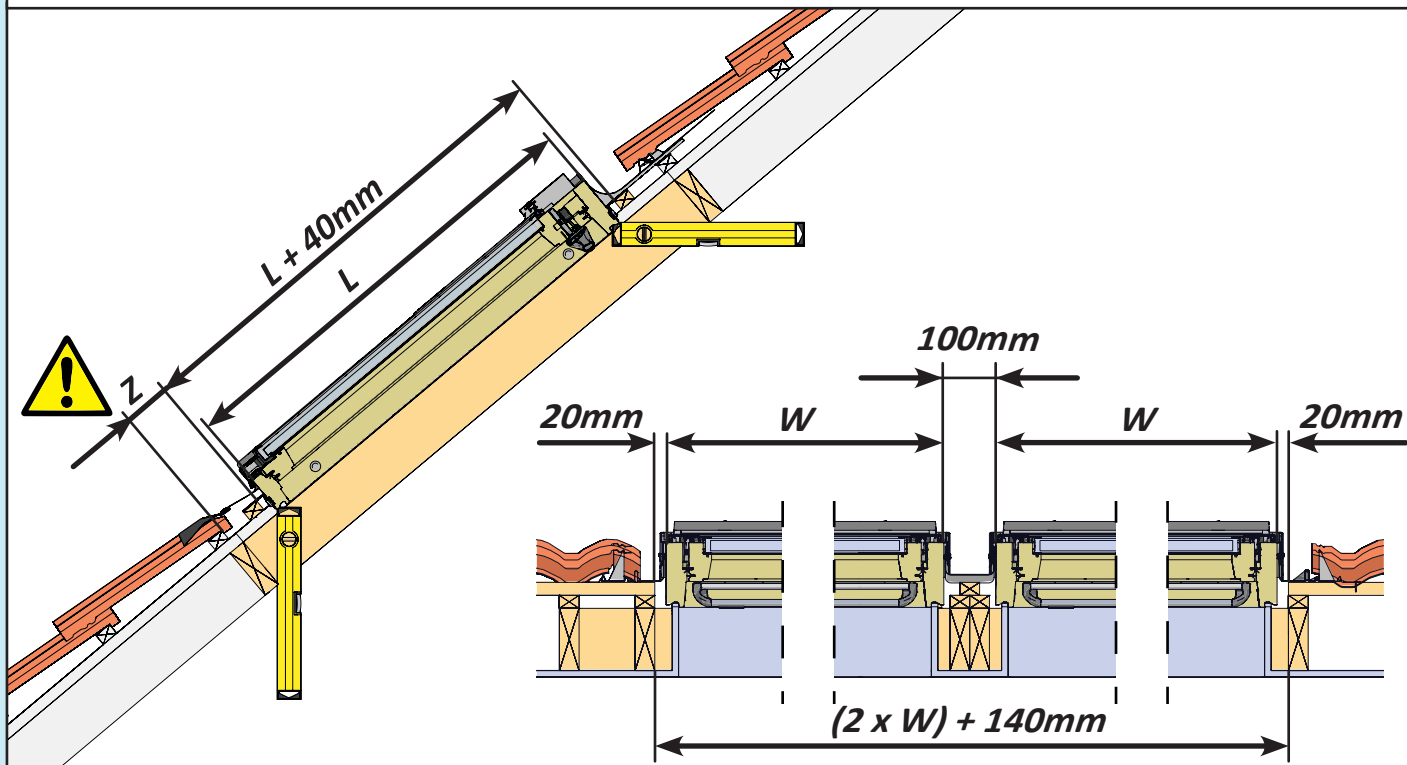
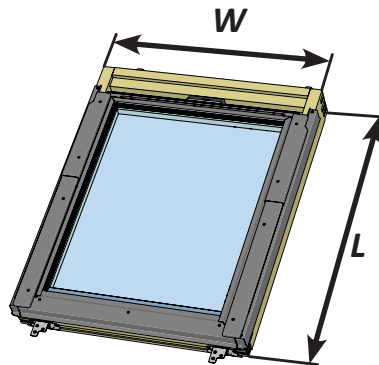
15 - 90mm

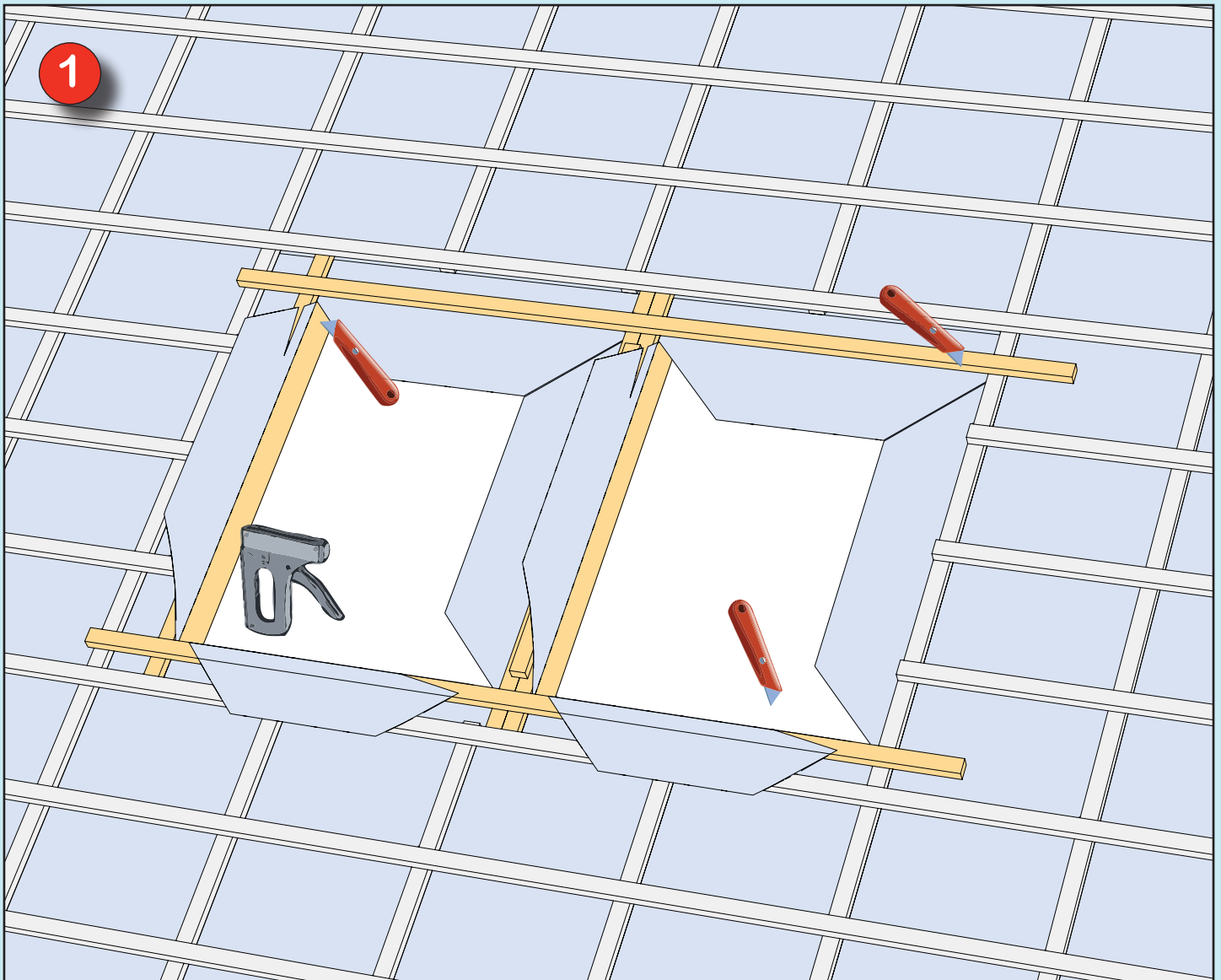
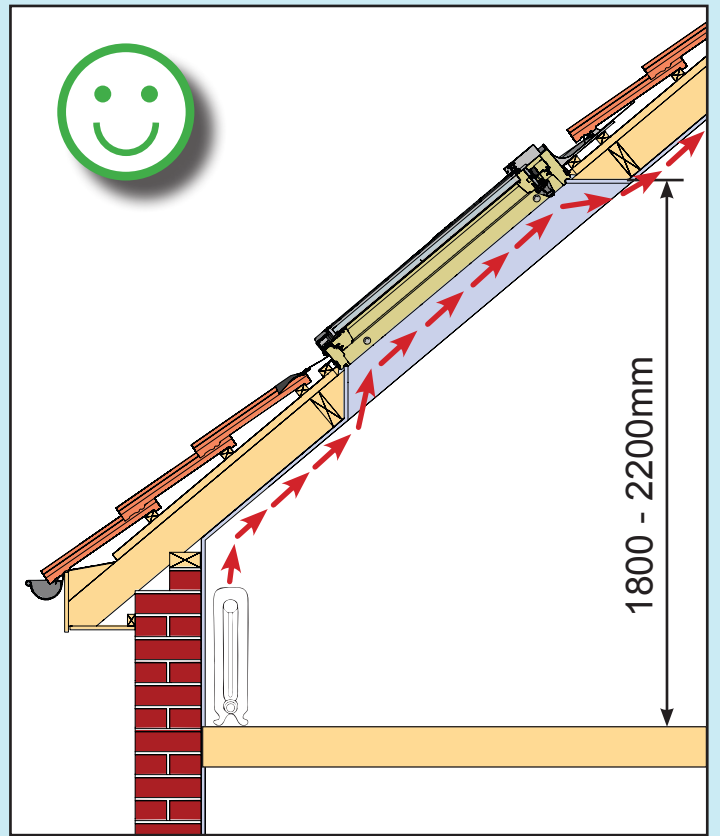
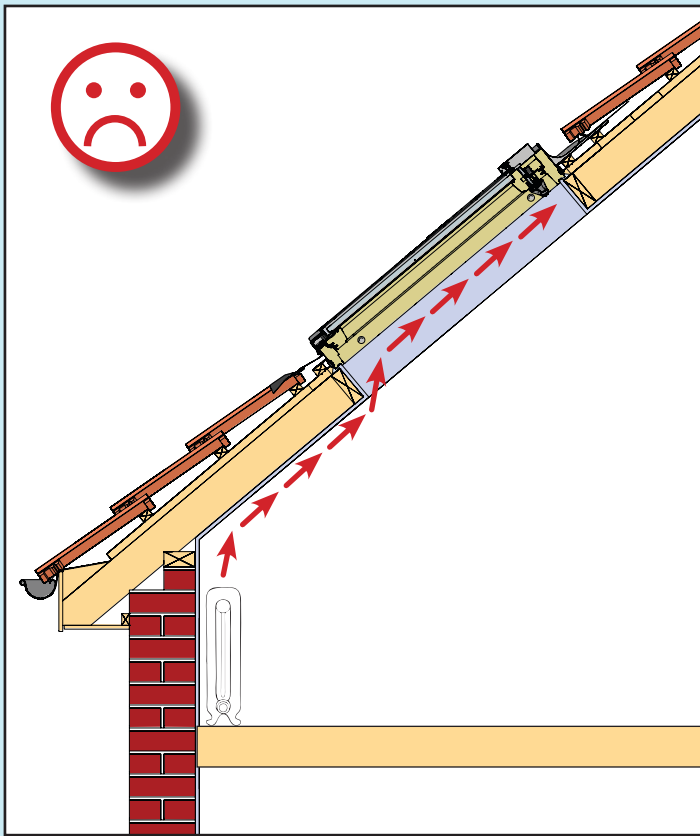


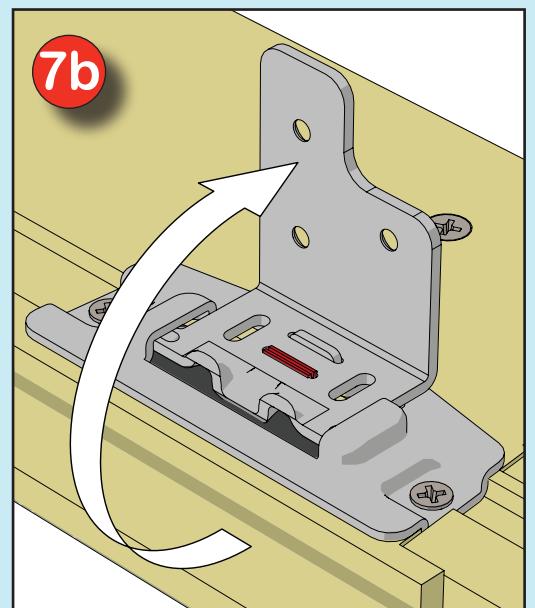
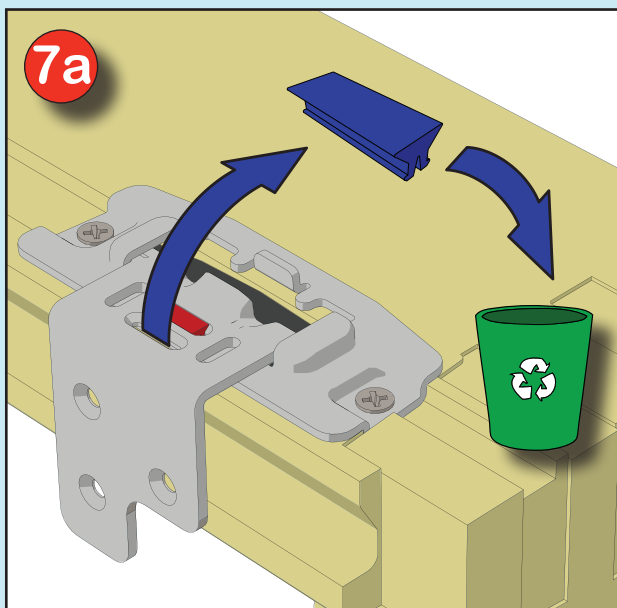
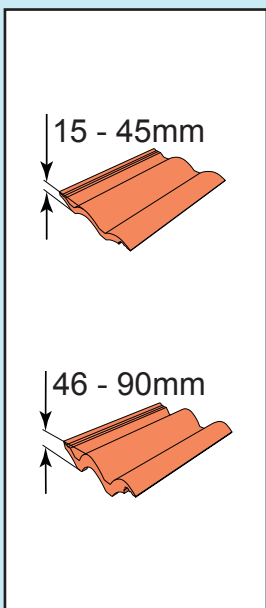
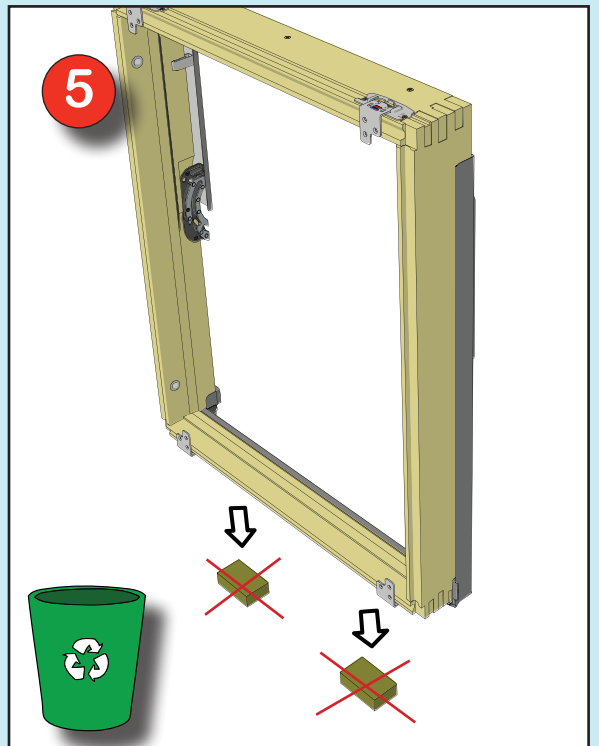
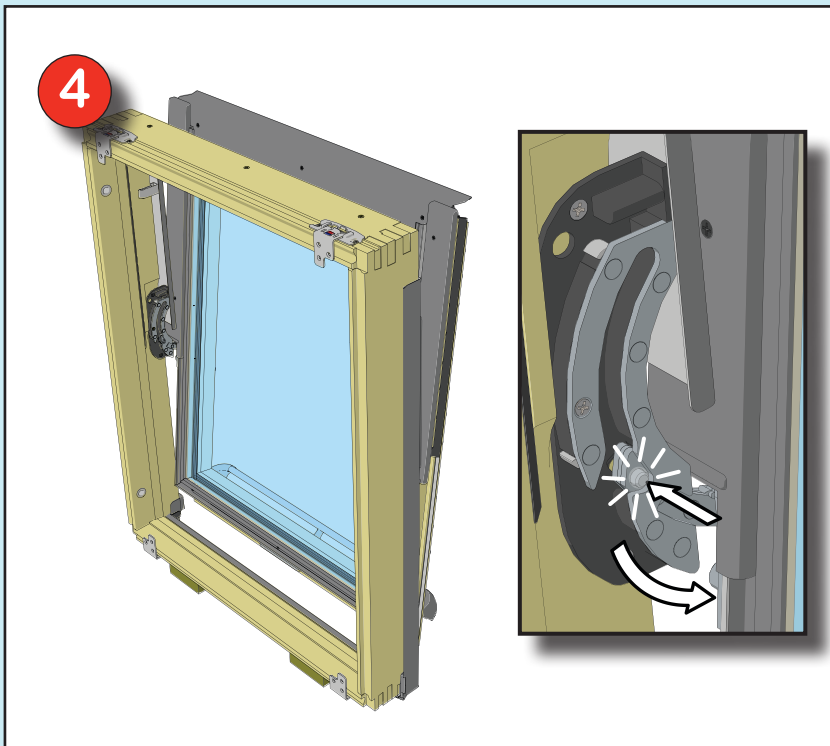
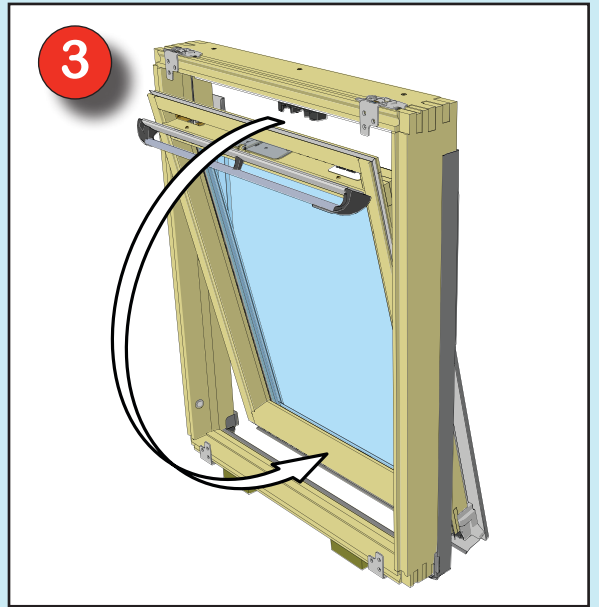
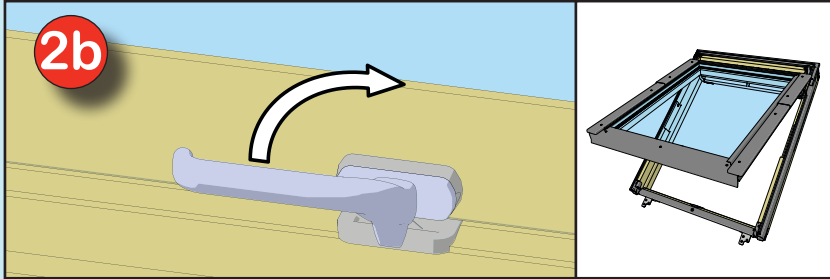
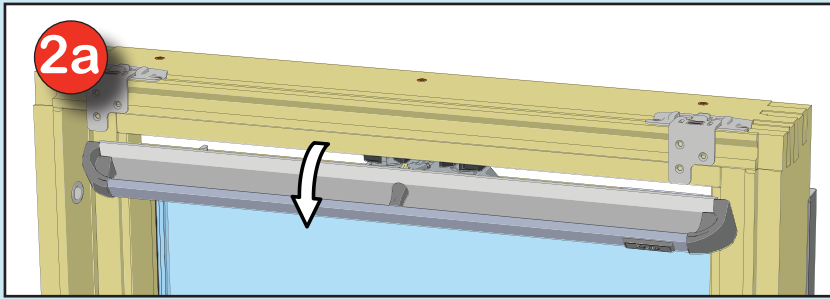
Z = 100mm

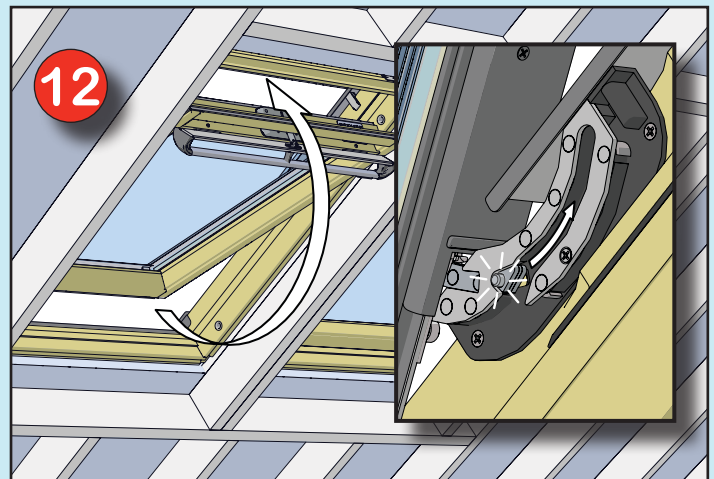
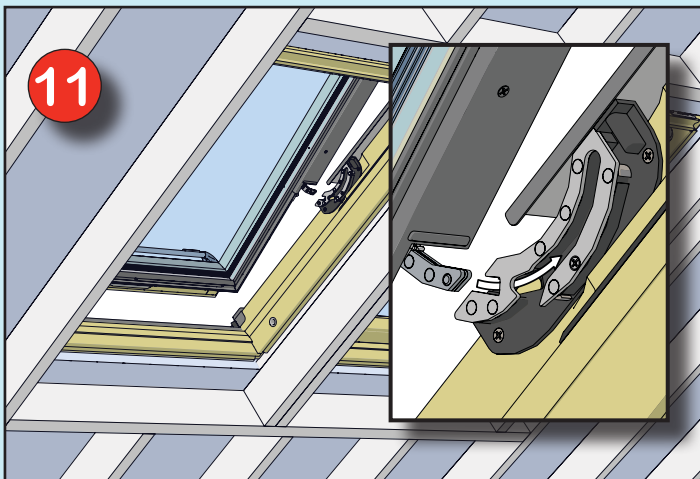
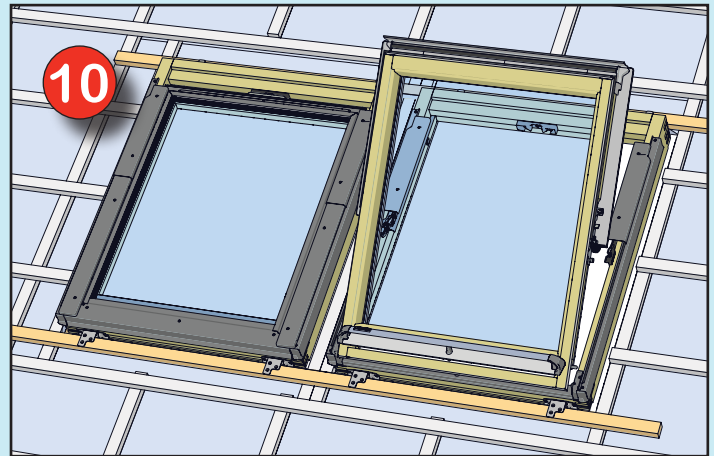
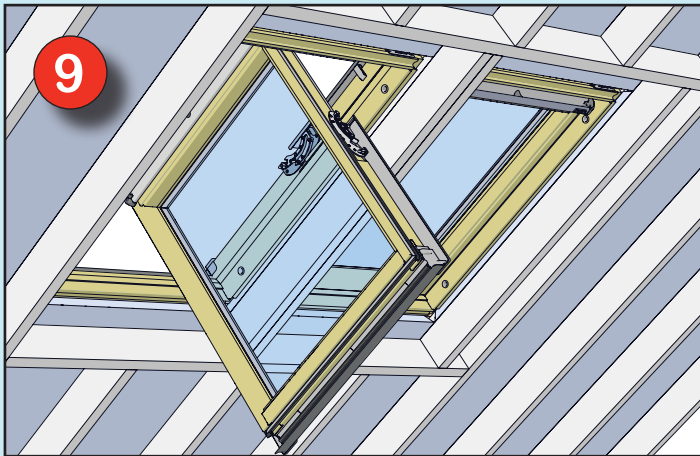
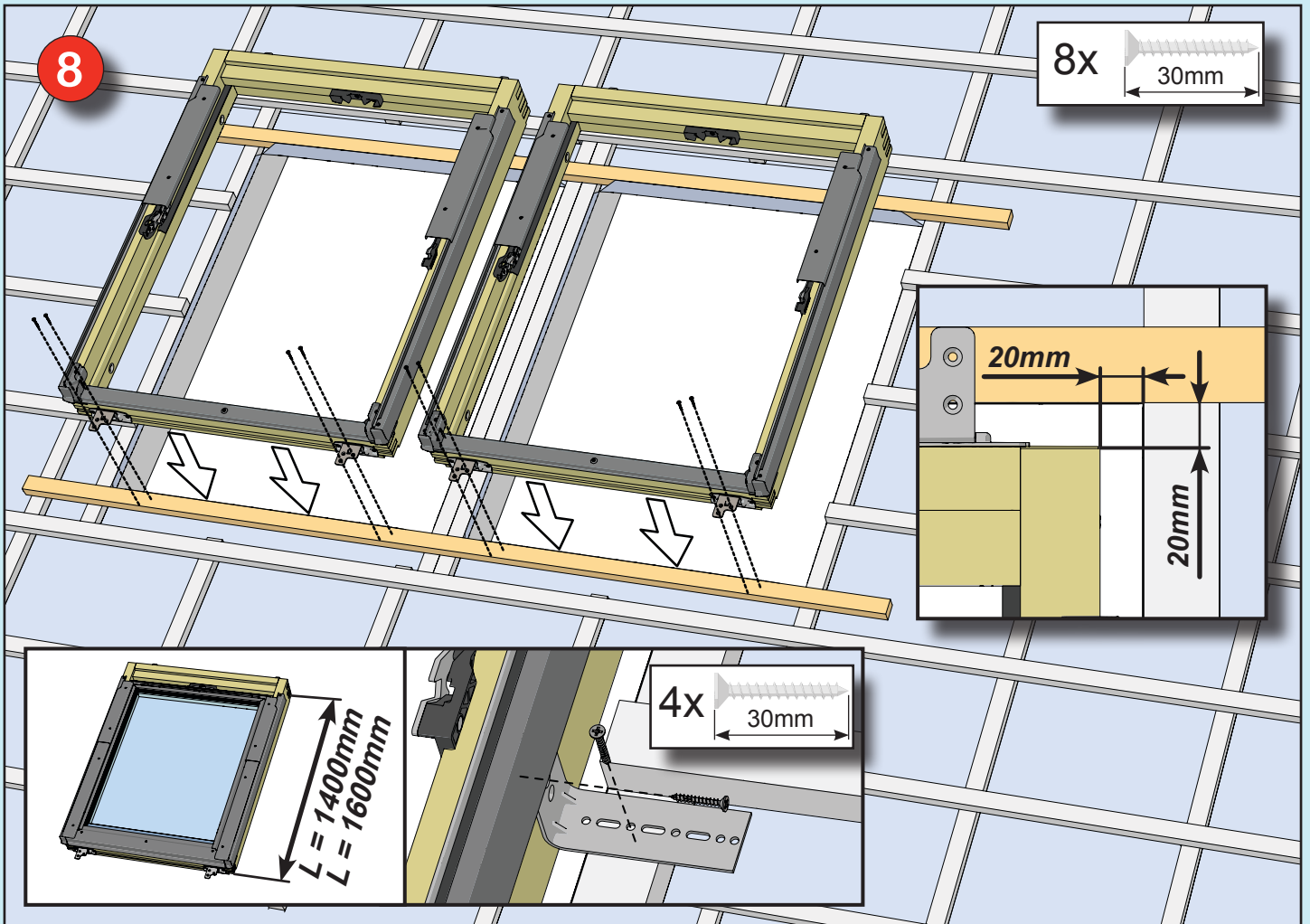


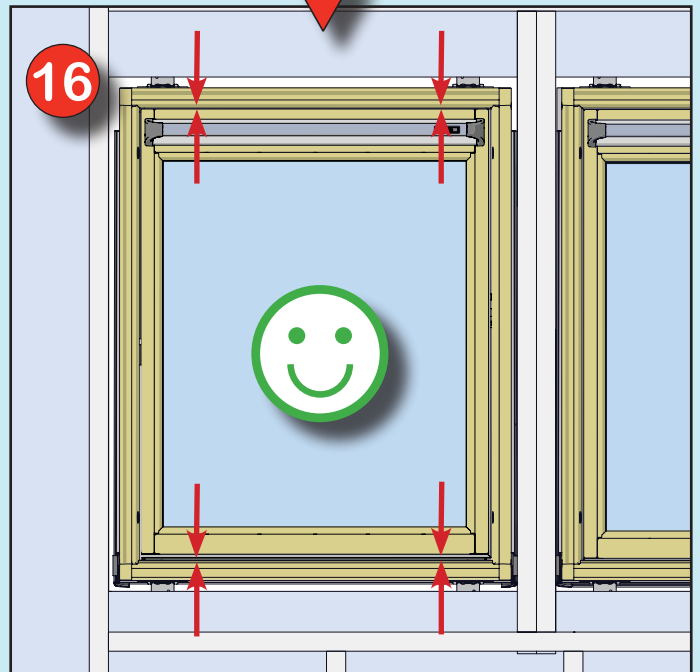
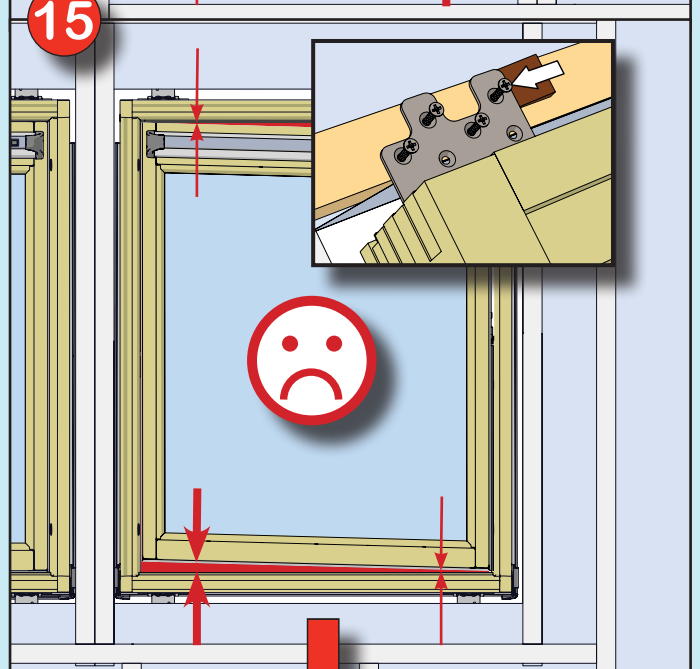
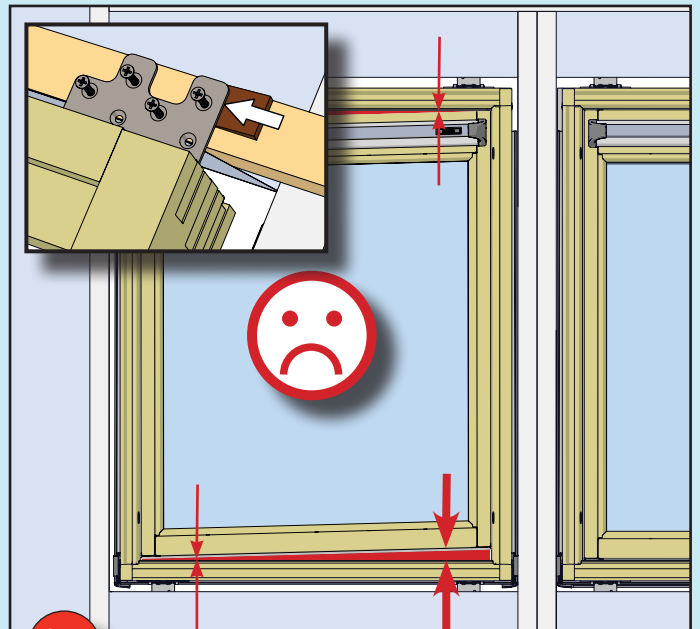
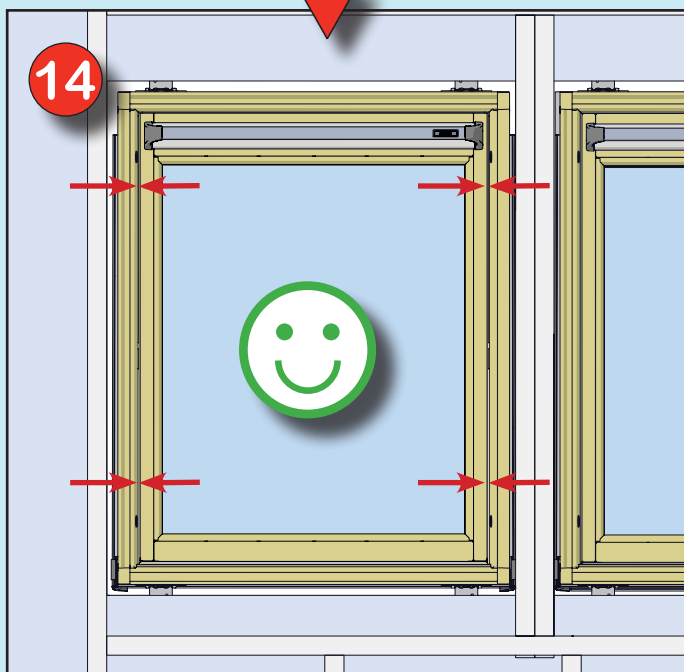
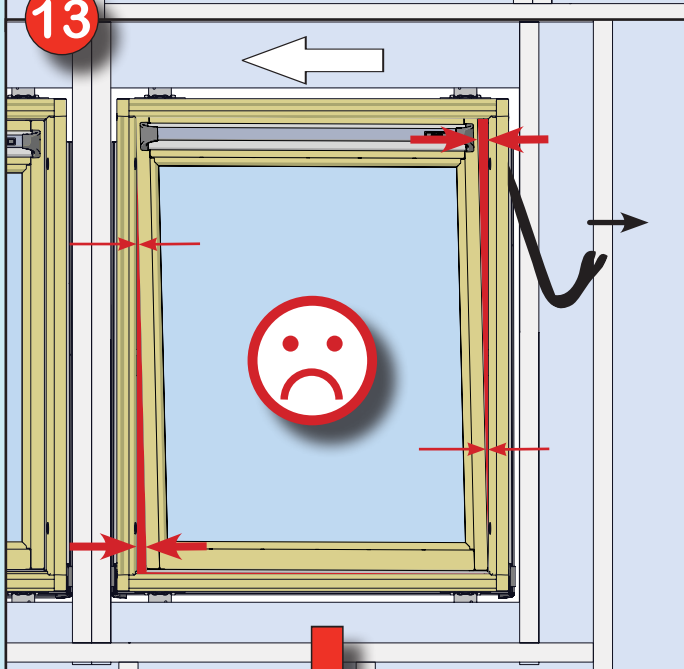
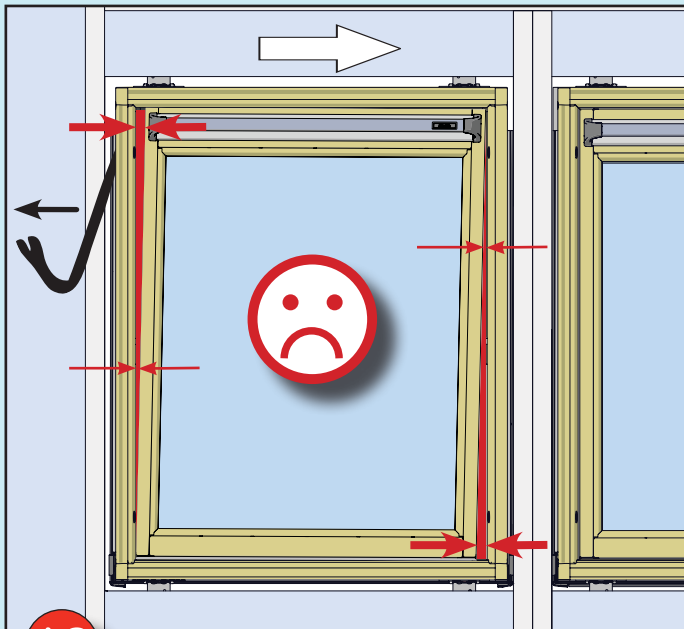
Z = 120 - 140mm

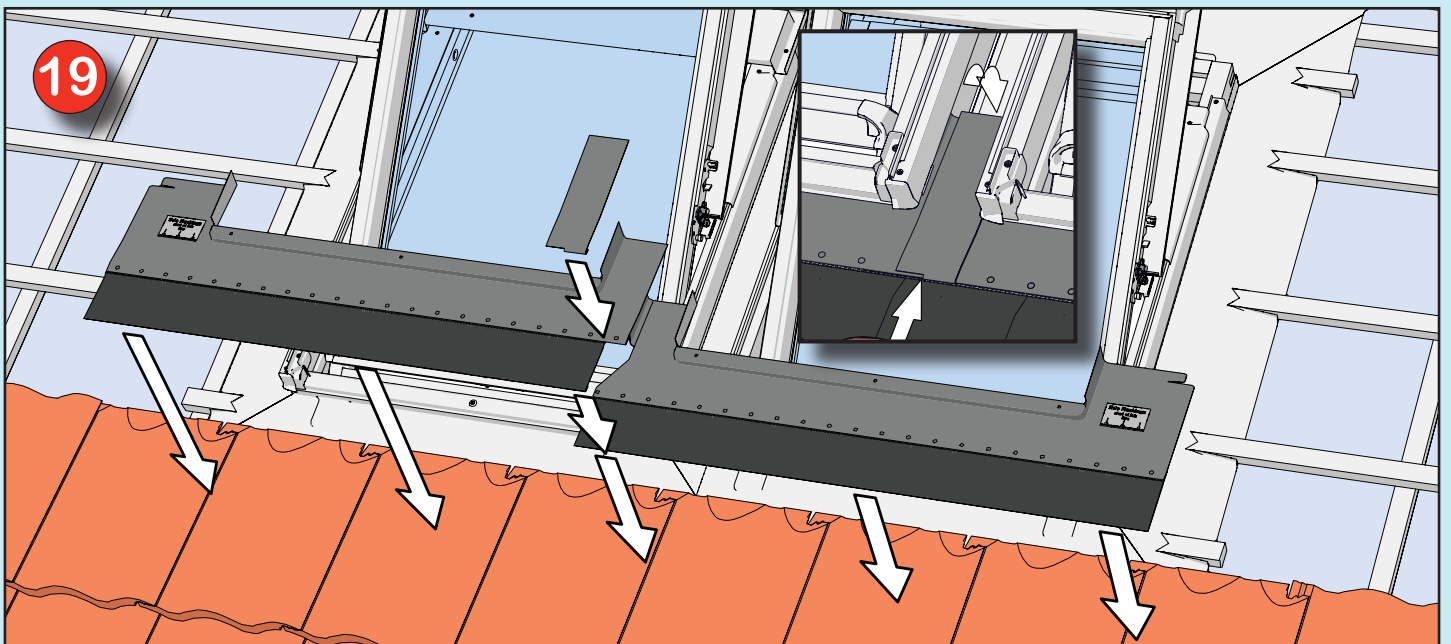
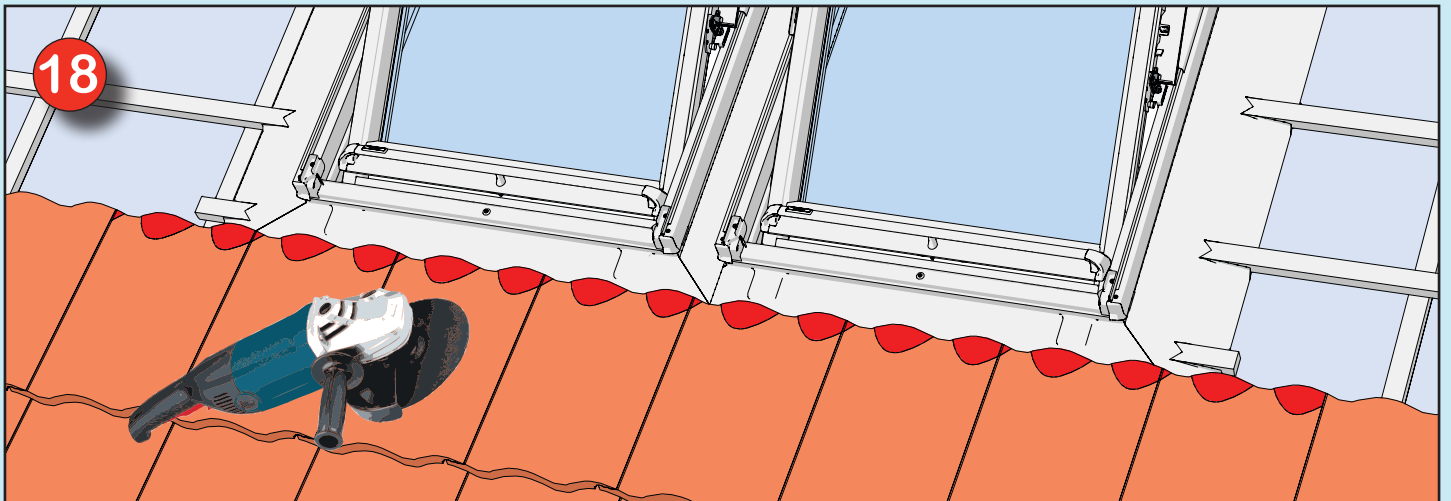
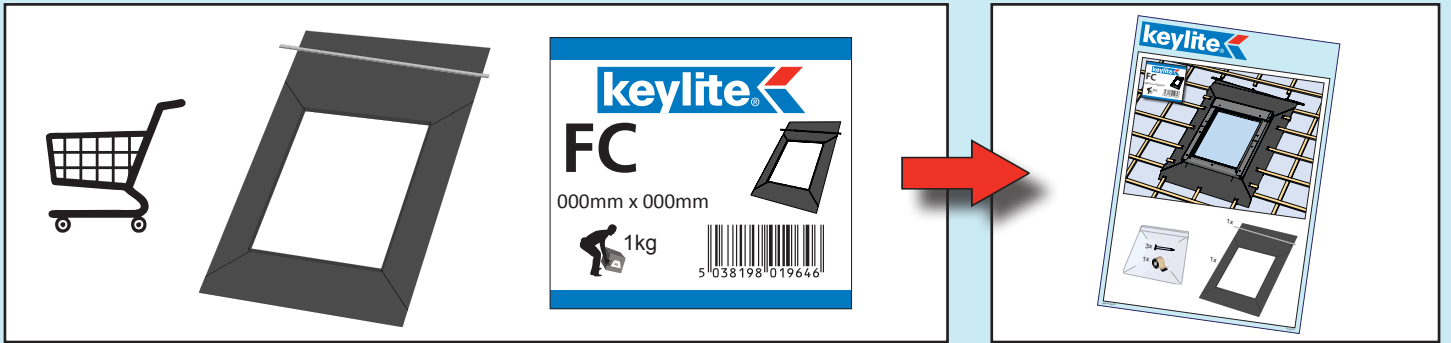
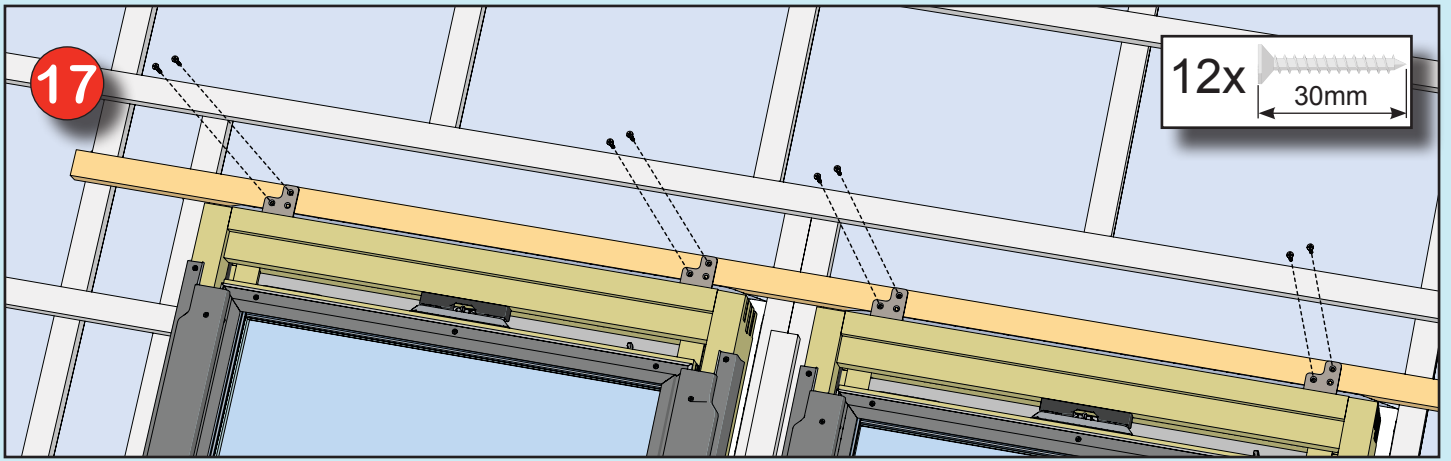


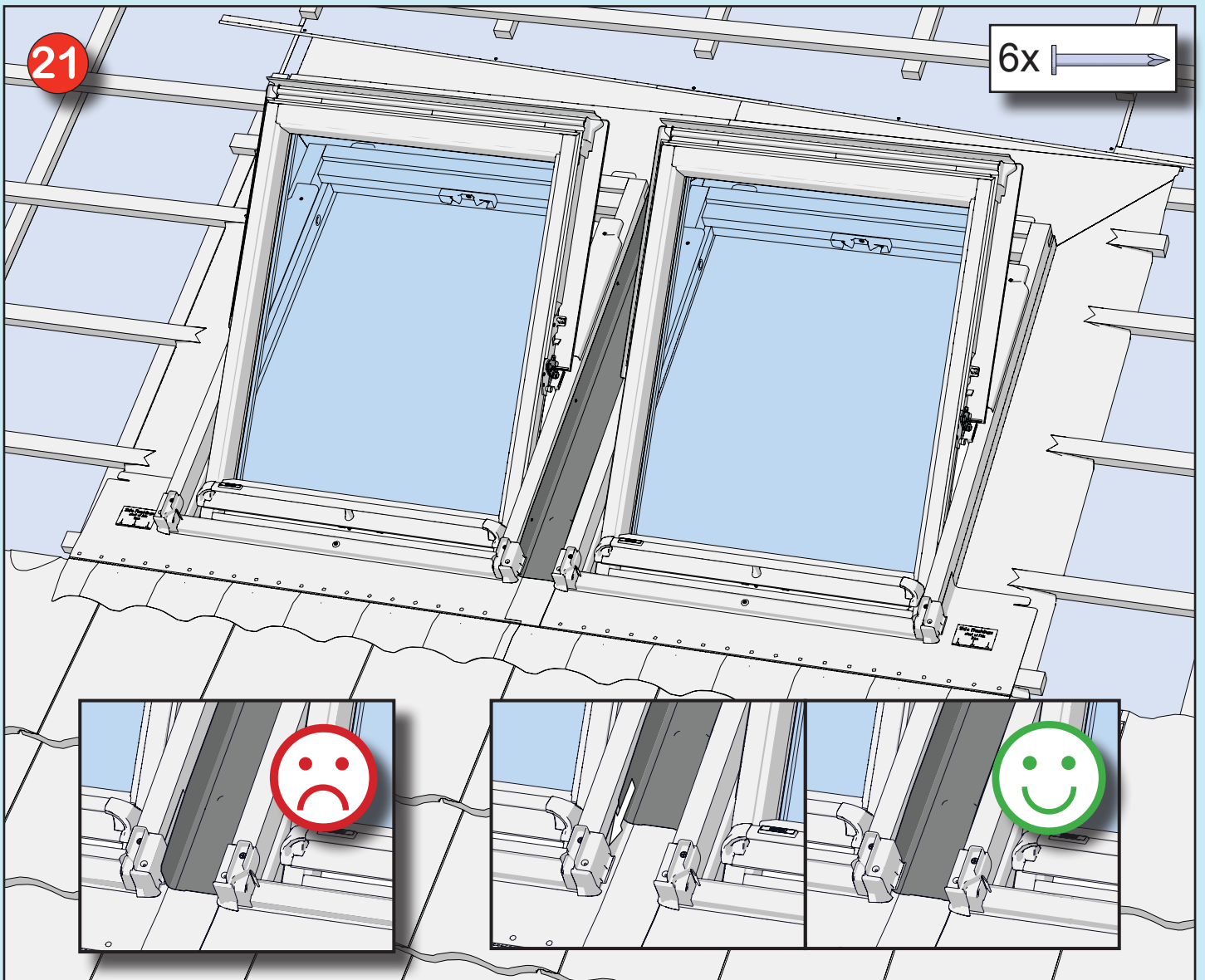
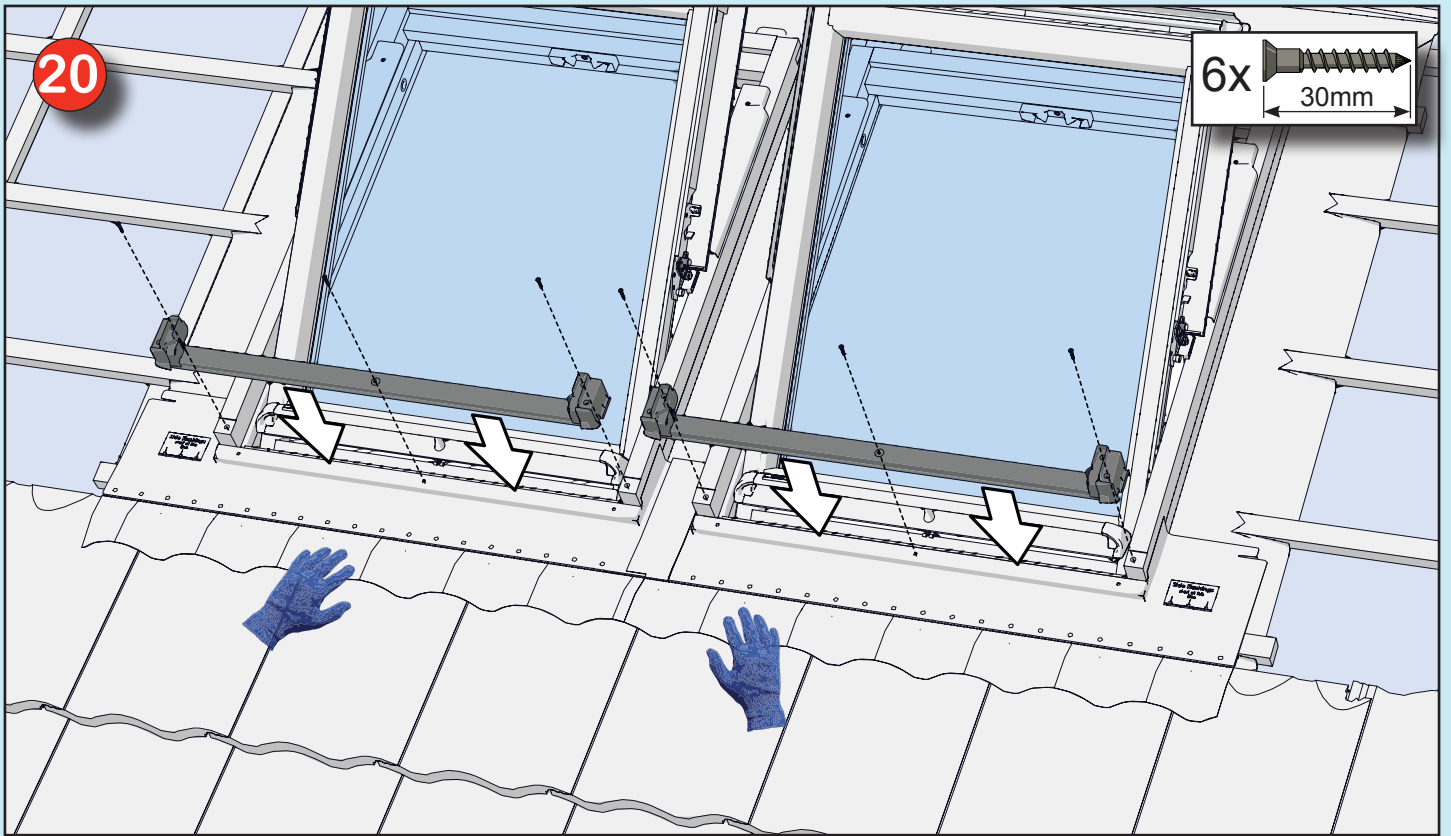




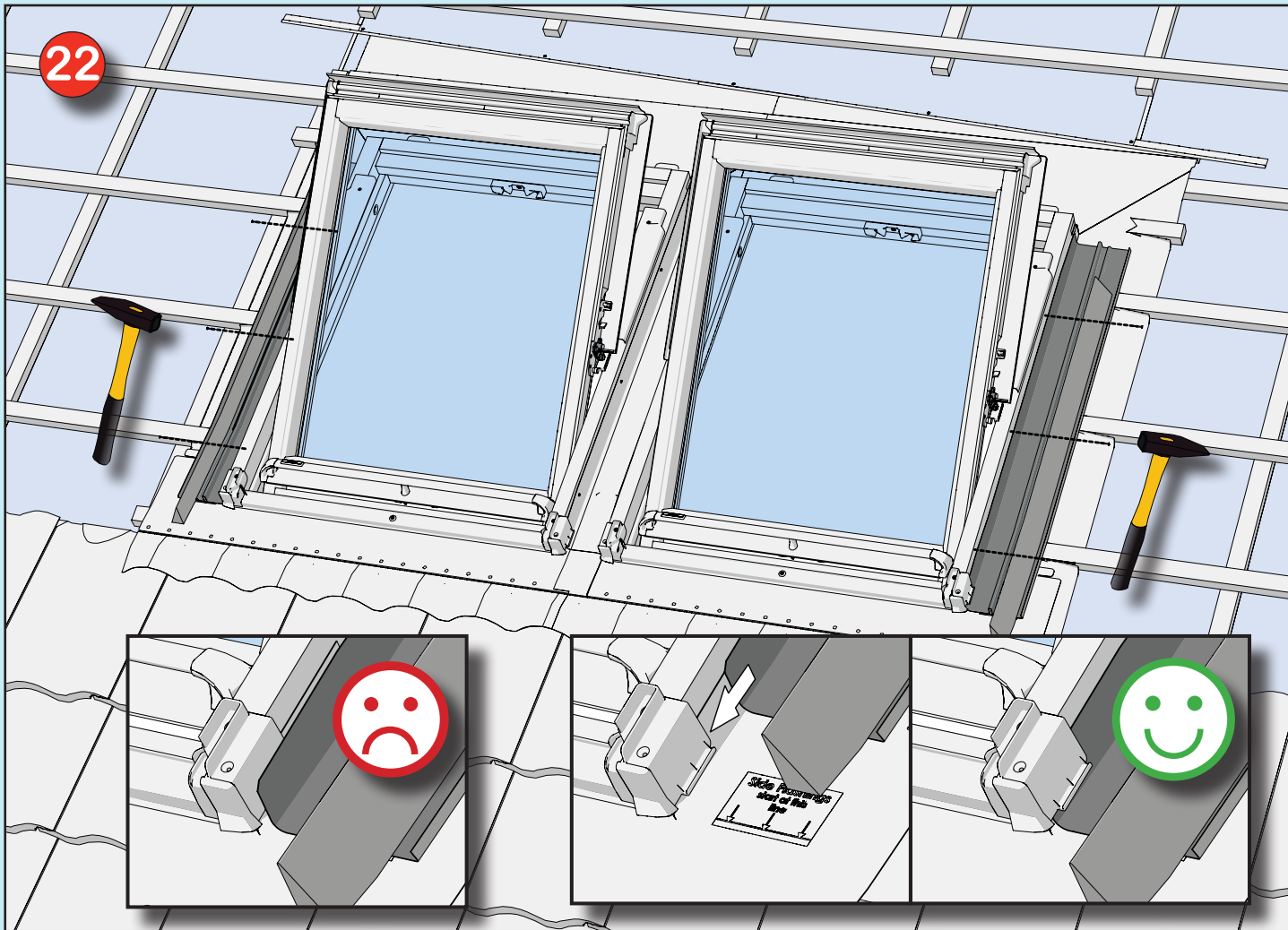




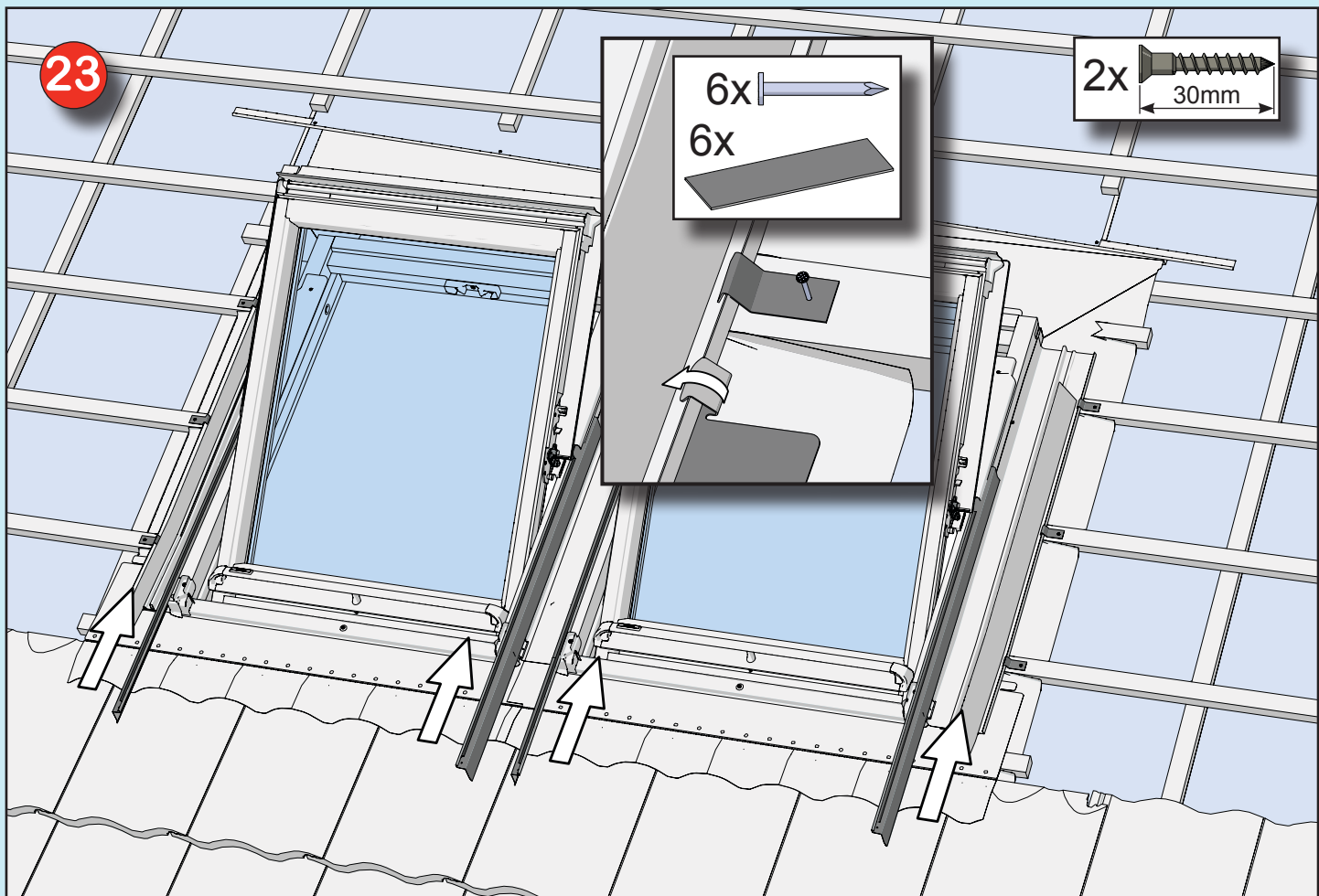


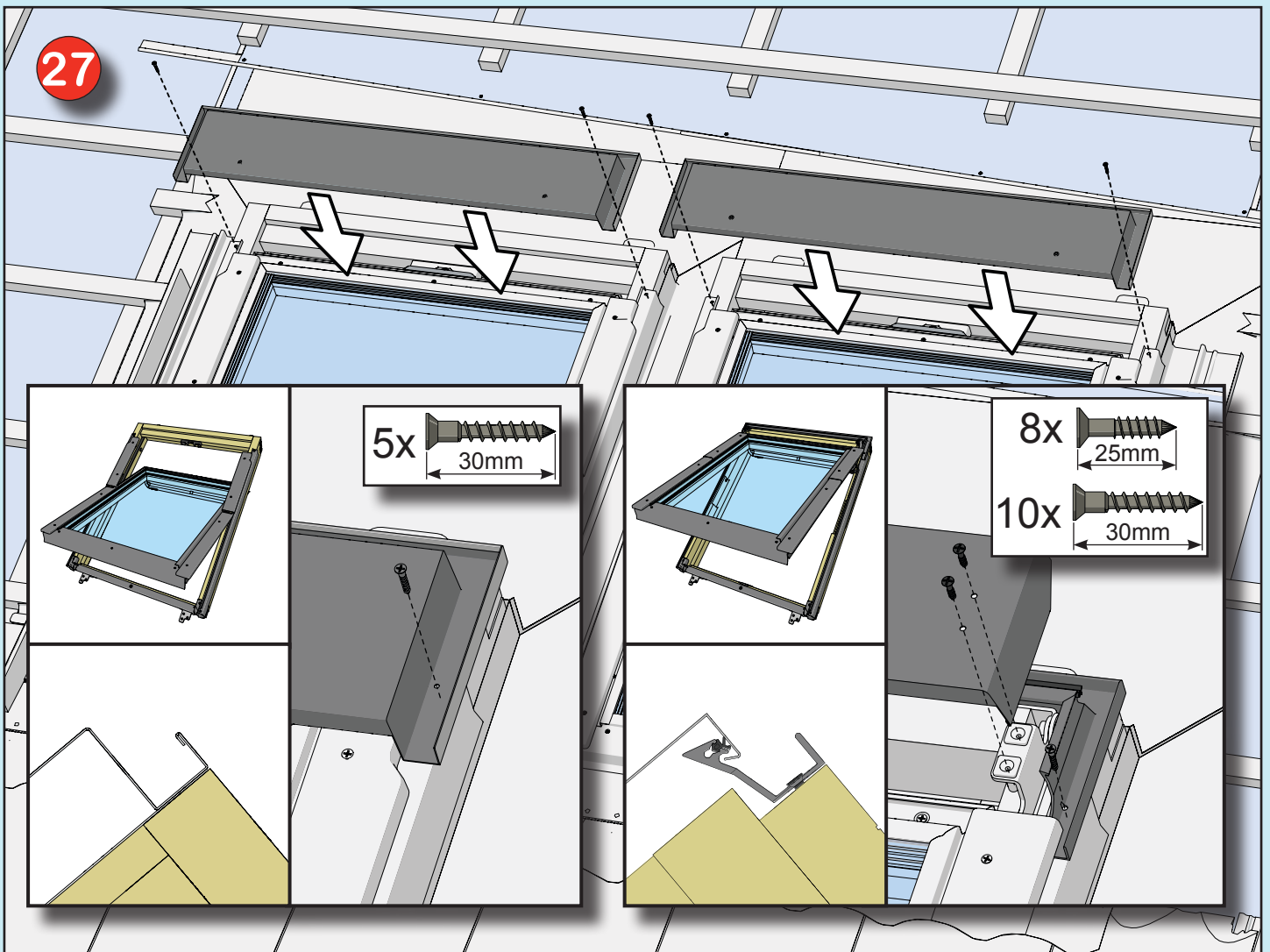
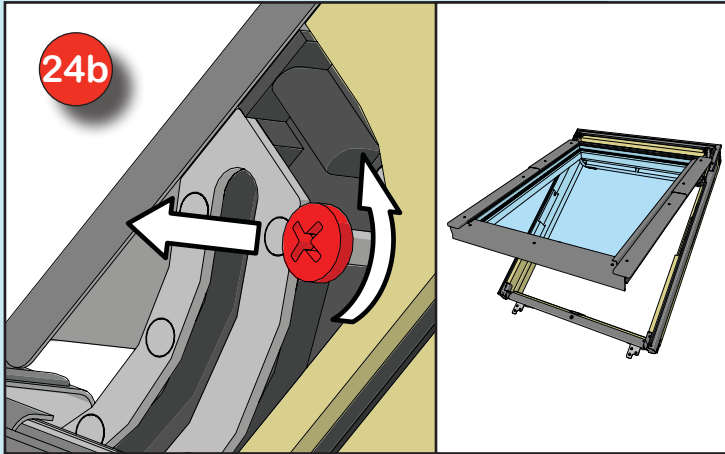
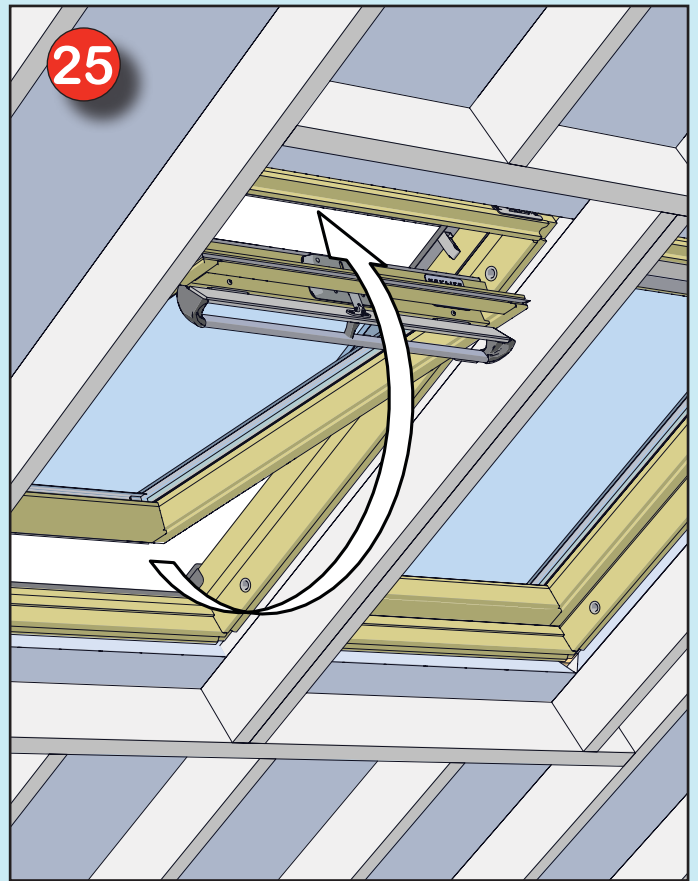
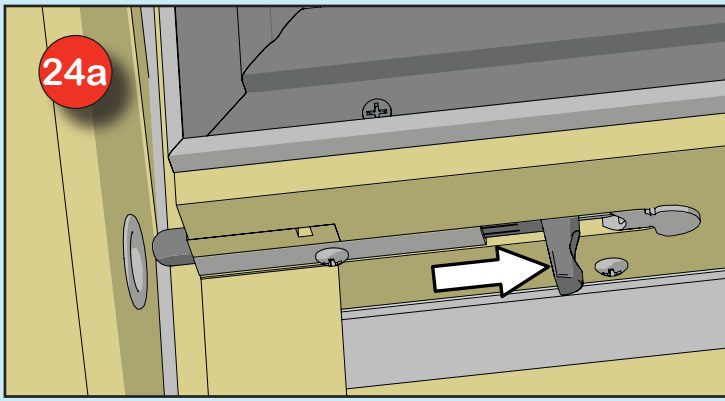


22

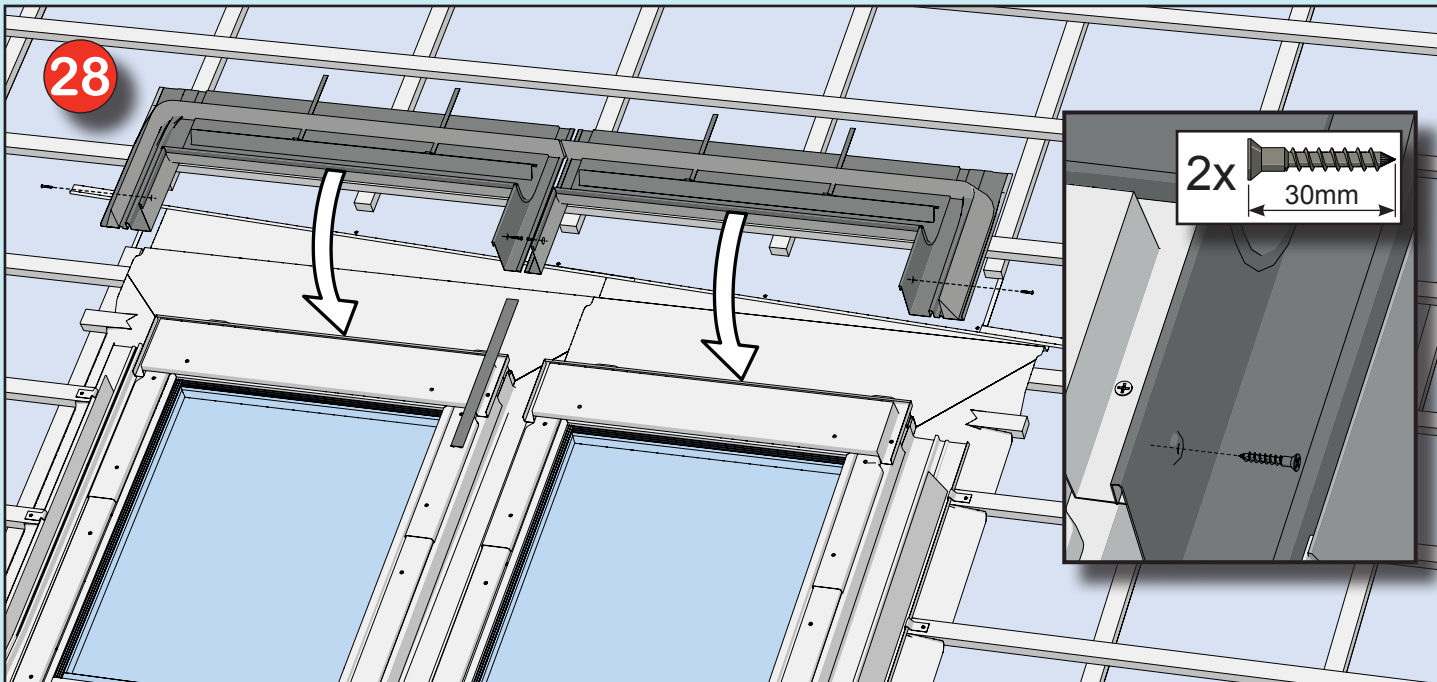


23

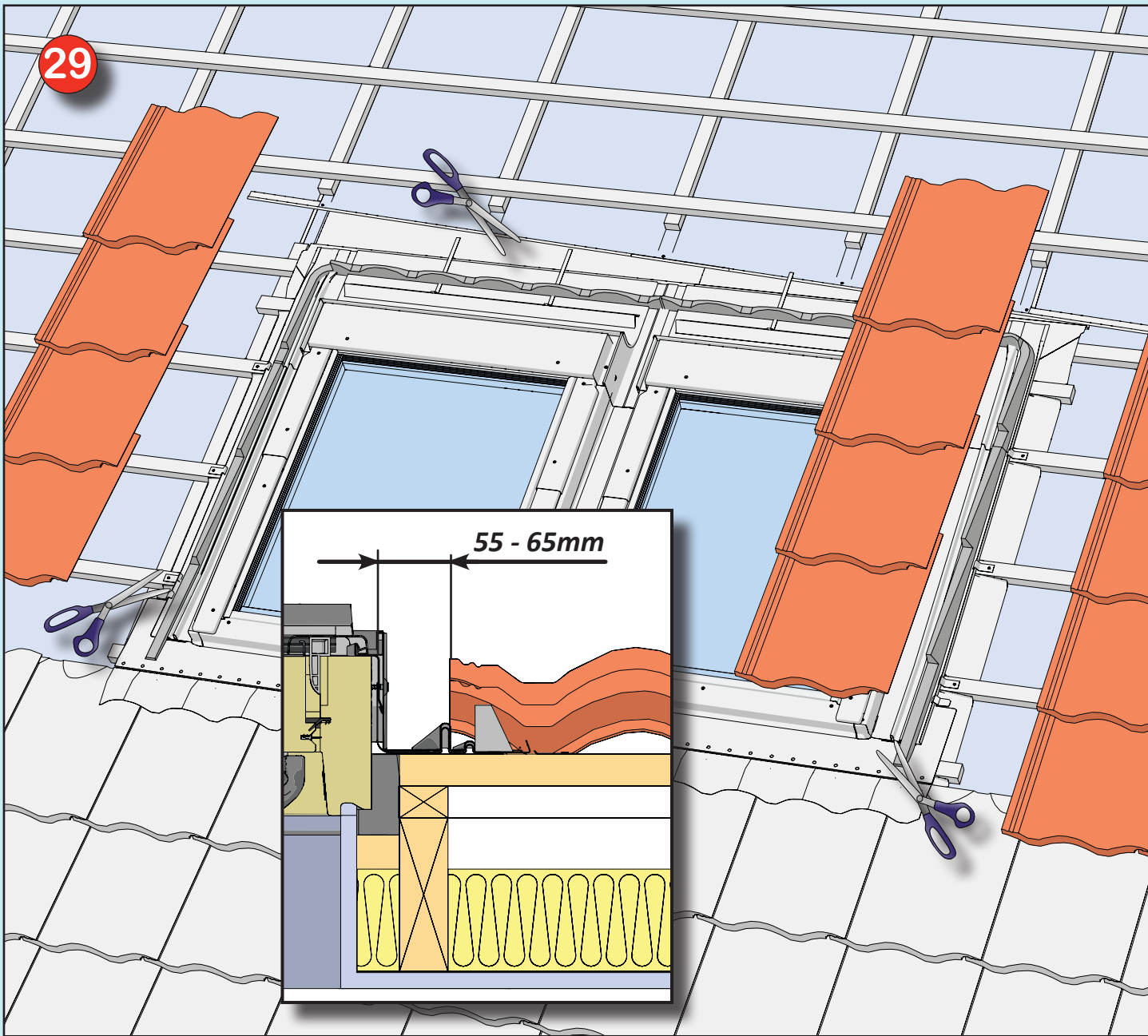




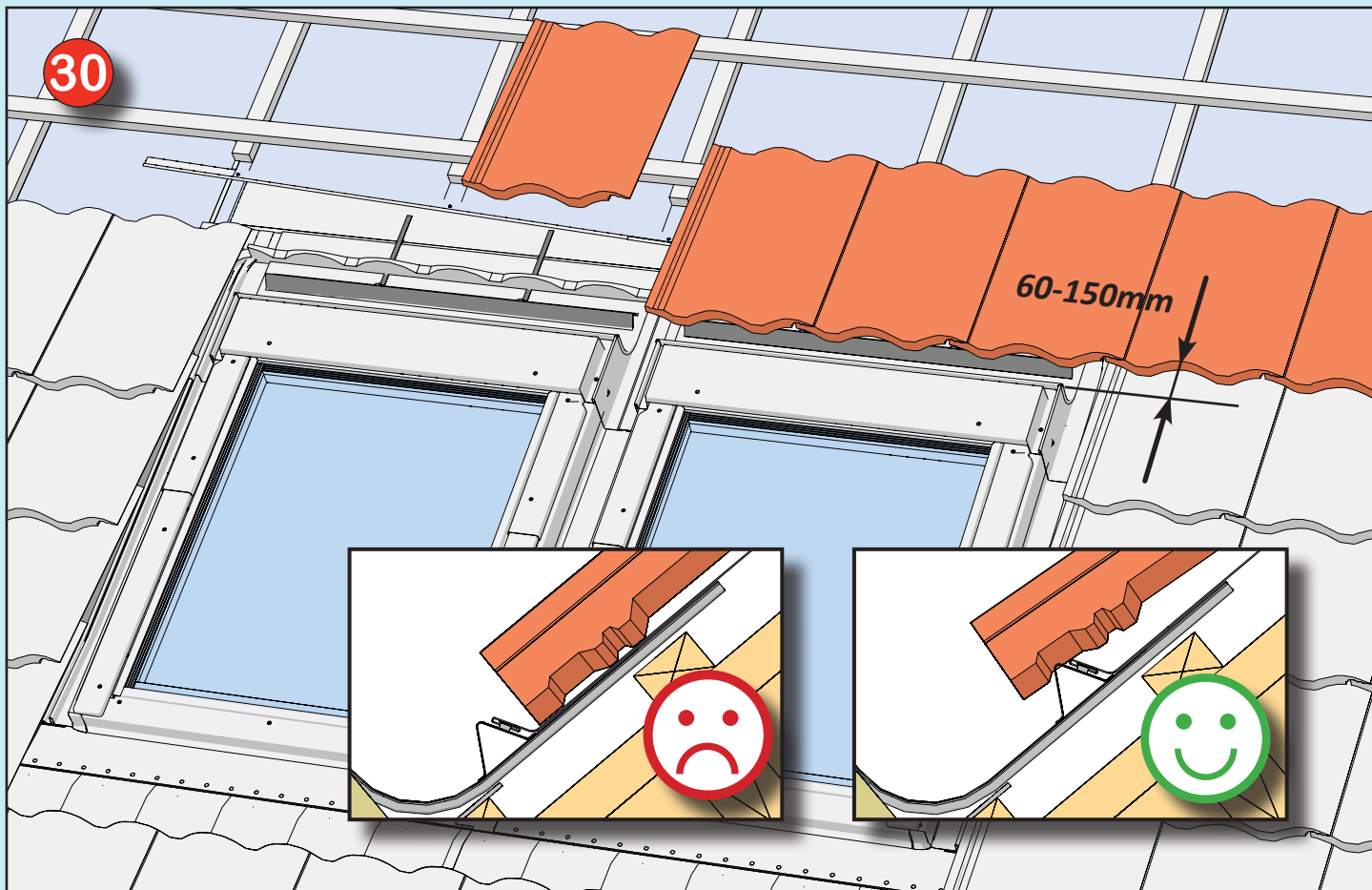
28



29



30



31

